



























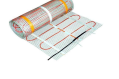















































SATURS


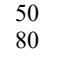

1		Lokanie pievadi	96		Karbons veidgabali, caurules	144		Gāzes baloni un degļi
7		Jaucējkrāni	97		Čuguna veidgabali	146		WEKEM ķīmija
29		Jaucējkrāni	101		Metināmie veidgabali	147		IBO sūkņi
37		Jaucējkrāni	102		GEBO veidgabali	148		Sūkņi Delfin
39		Jaucējkrāni	103		PPR veidgabali, caurules	149		KITC radiatori
42		Jaucējkrāni	105		PE veidgabali, caurules	150		Dvieļu žāvētāji
44		Dozatori	106		KAS ventīļi, Hromēti ventīļi, [* atca	154		Elektriskie dvieļu žāvēt.
46		Sensorkrāni	107		Bonomi ventīļi	156		Boileri "Atlantic"
49		Ventīļi, kārtidži, rezerves daļas, iztekas	109		Noslēgarmatūra	158		Rezerves daļas boileriem
54		Dušu galvas, pievadi, stieņi, turētāji	110		WTM ventīļi	161		Fenix siltās grīdas
57		Dušu pievadi	111		HERZ	163		Isover čaulas
58		Dušas galvas, piederumi	117		Kanplast iekšdarbu kanalizācija			
60		Dušu stieņi	119		Ostendorf ārdarbu kanalizācija			
61		Nicoll sifoni	120		Batcho izlietnes			
71		Trapi, noteces, rez. daļas	125		Cersanit podi			
75		WC Gofras veidgabali, manžetes	126		Mila podi			
77		Skaitītāji, manometri	127		WC mehānismi, WC rāmji			
78		Skrūves, stiprinājumi	130		Cersanit izlietnes, skapīši			
79		Savilcēji, rozetes	131		Skapīši			
80		Blīves	132		Deante izlietnes			
81		Blīvējumu materiāli	134		Dušas kabīnes un paliktņi			
82		Ķīmija	136		Filtri, korpusi			
86		Misiņa veidgabali	138		Virszemes laistīšanas iekārtas (Bradas, Claber)			
91		Kapara veidgabali	139		Laistīšanas šļūtenes			
93		Lodējamie bronzas veidgabali	141		Virax instrumenti (Francija)			
94		Pex-Al-Pex veidgabali, caurule (Itālija)	143		Instrumenti			


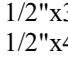

712N 		<i>Lokanais pievads neilona apvalkā ø8x12(1/2"x1/2")</i>						
		FF				FM		
		30	1.81	1061748		30	1.87	1061749
		50	2.08	1061750		50	2.15	1061751
		60	2.17	1061752		60	2.29	1061753
		80	2.63	1061754		80	2.66	1061755
		100	2.84	1061756		100	2.87	1061757
704N 		<i>Lokanais pievads iaucējkrāniem (neilona apvalks) ø8x12(10x1/2")</i>						
		SHORT				LONG		
		40	1.87	1061759		40	2.17	1061758
702 		<i>Lokanais nerūsējošā tērauda pievads ø9x14(1/2"x1/2")</i>						
		FF				FM		
		20	1.97	1061033		20	2.05	1061034
		30	2.20	1061035		30	2.27	1061036
		40	2.36	1061037		40	2.43	1061038
		50	2.54	1061039		50	2.61	1061040
		60	2.72	1061041		60	2.79	1061042
		70	2.91	1061043		70	2.98	1061044
		80	3.09	1061045		80	3.16	1061046
		90	3.30	1061047		90	3.37	1061048
		100	3.54	1061049		100	3.61	1061050
		120	4.01	1061051		120	4.08	1061052
		150	4.75	1061053		150	4.82	1061054
		180	5.31	1061055		180	5.38	1061056
		200	5.77	1061057		200	5.85	1061058
		250	7.36	1061059		250	7.44	1061060
		300	8.87	1061061		300	8.95	1061062
		350	10.27	1061063		350	10.36	1061064
702/A 		<i>Lokanais nerūsējošā tērauda pievads ar blīvēm ø9x14(1/2"x1/2")</i>						
		FF				FM		
		20	2.03	1061246		20	2.17	1061247
		30	2.25	1061248		30	2.38	1061249
		40	2.45	1061250		40	2.58	1061251
		50	2.67	1061252		50	2.79	1061253
		60	2.83	1061254		60	2.96	1061255
		70	3.03	1061256		70	3.15	1061257
		80	3.22	1061258		80	3.34	1061259
		90	3.41	1061260		90	3.53	1061261
		100	3.60	1061262		100	3.73	1061263
		120	4.07	1061264		120	4.19	1061265
		150	4.88	1061266		150	5.00	1061267
		180	5.42	1061268		180	5.54	1061269
		200	5.88	1061270		200	6.00	1061271
		250	7.46	1061272		250	7.59	1061273
		300	8.95	1061274		300	9.09	1061275
		350	10.41	1061276		350	10.55	1061277
712 		<i>Lokanais pievads ø8x12(1/2"x1/2")</i>						
		FF	BEZ BLĪVĒM			FM	BEZ BLĪVĒM	
		20	1.72	1061691		20	1.76	1061692
		30	1.89	1061693		30	1.92	1061694
		40	2.03	1061695		40	2.06	1061696
		50	2.15	1061697		50	2.19	1061698
		60	2.29	1061699		60	2.33	1061700
		70	2.46	1061701		70	2.49	1061702
		80	2.66	1061703		80	2.70	1061704
		90	2.89	1061705		90	2.93	1061706
		100	3.06	1061707		100	3.09	1061708
		120	3.53	1061709		120	3.55	1061710
		150	4.22	1061711		150	4.24	1061712
		180	4.85	1061713		180	4.89	1061714
		200	5.06	1061715		200	5.08	1061716
		250	6.20	1061717		250	6.22	1061718
		300	7.41	1061719		300	7.43	1061720
		350	8.78	1061721		350	8.80	1061722


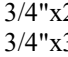

		712/A		<i>Lokanais pievads</i> $\varnothing 8 \times 12(1/2" \times 1/2")$			
		FF	AR BLĪVĒM	FM	AR BLĪVĒM		
		20	1.78	1061550	20	1.80	1061551
		30	1.90	1061552	30	1.94	1061553
		40	2.04	1061554	40	2.06	1061555
		50	2.15	1061556	50	2.17	1061557
		60	2.27	1061558	60	2.32	1061559
		70	2.42	1061560	70	2.45	1061561
		80	2.55	1061562	80	2.60	1061563
		90	2.72	1061564	90	2.74	1061565
		100	2.86	1061566	100	2.88	1061567
		120	3.14	1061568	120	3.17	1061569
		150	3.56	1061570	150	3.58	1061571
		180	3.98	1061572	180	4.03	1061573
		200	4.28	1061574	200	4.31	1061575
		250	5.01	1061576	250	5.04	1061577
300	5.76	1061578	300	5.79	1061579		
350	6.55	1061580	350	6.58	1061581		
708				<i>Lokanais nerūsējošā tērauda pievads</i> $\varnothing 8 \times 12(3/8" \times 3/8")$			
		FF			FM		
		20	2.24	1061214	20	2.22	1061194
		30	2.40	1061215	30	2.42	1061208
		40	2.62	1061216	40	2.61	1061217
		50	2.95	1061193	50	2.96	1061218
		60	3.45	1061219	60	3.39	1061220
		70	3.82	1061221	70	3.82	1061222
		80	4.21	1061223	80	4.22	1061224
		90	4.61	1061225	90	4.57	1061226
		100	4.96	1061227	100	4.96	1061228
707				<i>Lokanais nerūsējošā tērauda pievads</i> $\varnothing 8 \times 12(F1/2" \times M3/8")$			
		FF			FM		
		30	2.70	1061131	30	2.69	1061183
		40	2.93	1061133	40	2.93	1061134
		50	3.15	1061135	50	3.14	1061136
		60	3.36	1061137	60	3.36	1061138
		70	3.63	1061139	70	3.61	1061140
		80	3.85	1061141	80	3.85	1061142
		90	4.12	1061143	90	4.11	1061144
		100	4.34	1061184	100	4.33	1061182
150	5.44	1061282	150	5.44	1061281		
		710		<i>Lokanais nerūsējošā tērauda pievads</i>			
		3/8"Fx$\varnothing 8$		703			
				1/2"Fx$\varnothing 10$			
		20	2.64	1061229	20	2.39	1061086
		30	2.85	1061230	30	2.67	1061087
		40	3.09	1061210	40	2.88	1061088
		50	3.34	1061231	50	3.12	1061089
		60	3.53	1061232	60	3.34	1061090
		70	3.78	1061233	70	3.62	1061091
		80	4.06	1061234	80	3.83	1061092
		90	4.28	1061235	90	4.09	1061093
100	4.47	1061236	100	4.33	1061094		
709				<i>Lokanais nerūsējošā tērauda pievads ar līkumu</i> $\varnothing 9 \times 14 \times 1/2"$			
					30	3.37	1061195
					40	3.58	1061196
					50	3.89	1061197
					60	4.07	1061198
					70	4.32	1061201
					80	4.51	1061199
					90	4.79	1061211
					100	5.01	1061200
		719		<i>Lokanais nerūsējošā tērauda pievads ar līkumu</i>			
		713					
		$\varnothing 9 \times 14(3/8" \times 3/8")$		$\varnothing 9 \times 14(1/2" \times 3/8")$			
		30	3.74	1061510	30	4.05	1061287
		40	3.91	1061511	40	4.20	1061288
		50	4.09	1061512	50	4.36	1061285
		60	4.29	1061513	60	4.55	1061289
		70	4.46	1061514	70	4.70	1061286
		80	4.65	1061515	80	4.89	1061290
90	4.83	1061516	90	5.05	1061291		
100	5.04	1061517	100	5.25	1061292		


704	<i>Lokanie pievadi jaucējkrāniem, nerūsējošā tērauda Ø8x12(10Mx1/2")</i>				
		LONG		SHORT	
		Ø10x35 2.37	1061595	Ø10x35 2.05	1061065
		Ø10x40 2.55	1061596	Ø10x40 2.23	1061179
		Ø10x45 2.67	1061597	Ø10x45 2.35	1061180
		Ø10x50 2.75	1061598	Ø10x50 2.41	1061066
		Ø10x60 3.04	1061599	Ø10x60 2.73	1061181
		Ø10x70 3.31	1061600	Ø10x70 2.99	1061067
		Ø10x80 3.49	1061601	Ø10x80 3.17	1061068
		Ø10x90 3.81	1061602	Ø10x90 3.50	1061069
		Ø10x100 4.01	1061603	Ø10x100 3.69	1061070
		Ø10x120 4.56	1061604	Ø10x120 4.24	1061073
		Ø10x150 5.44	1061605	Ø10x150 5.12	1061074
	<i>Lokanie pievadi jaucējkrāniem, nerūsējošā tērauda Ø8x12(12Mx1/2")</i>				
				Ø12x35 2.26	1061121
				Ø12x50 2.64	1061122
				Ø12x70 3.12	1061123
				Ø12x80 3.39	1061124
				Ø12x90 3.59	1061125
				Ø12x100 3.86	1061126
				Ø12x120 4.18	1061127
				Ø12x150 4.88	1061128
704/G	<i>Lokanie pievadi jaucējkrāniem, nerūsējošā tērauda Ø8x12(10Mx1/2") (90 mm)</i>				
				Ø10x35 4.77	1061172
				Ø10x50 5.65	1061363
704/1	<i>Lokanais pievadi jaucējkrāniem, nerūsējošā tērauda Ø8x12(10Mx3/8")</i>				
		Ø10x35 2.62	1061606	Ø10x35 2.34	1061185
		Ø10x45 3.26	1061607	Ø10x45 3.00	1061360
		Ø10x50 3.20	1061608	Ø10x50 2.92	1061171
		Ø10x70 3.95	1061609	Ø10x70 3.68	1061293
		Ø10x80 4.05	1061610	Ø10x80 3.77	1061209
		Ø10x100 4.43	1061611	Ø10x100 4.14	1061280
724	<i>Lokanie pievadi jaucējkrāniem, nerūsējošā tērauda Ø8x12(10Mx1/2")</i> <i>iekšējās caurules materiāls PEX-B</i>	LONG		SHORT	
		Ø10x35 2.47	1061653	Ø10x35 2.13	1061641
		Ø10x40 2.62	1061654	Ø10x40 2.30	1061642
		Ø10x45 2.75	1061655	Ø10x45 2.43	1061643
		Ø10x50 2.80	1061656	Ø10x50 2.51	1061644
		Ø10x60 3.11	1061657	Ø10x60 2.80	1061645
		Ø10x70 3.35	1061658	Ø10x70 3.04	1061646
		Ø10x80 3.51	1061659	Ø10x80 3.21	1061647
		Ø10x90 3.83	1061660	Ø10x90 3.52	1064648
		Ø10x100 4.03	1061661	Ø10x100 3.72	1061649
		Ø10x120 4.56	1061662	Ø10x120 4.24	1061650
		Ø10x150 5.38	1061663	Ø10x150 5.08	1061651
724/1	<i>Lokanais pievadi jaucējkrāniem, nerūsējošā tērauda Ø8x12(10Mx3/8")</i> <i>iekšējās caurules materiāls PEX-B</i>	LONG		SHORT	
		Ø10x35 3.07	1061670	Ø10x35 2.71	1061664
		Ø10x45 3.23	1061671	Ø10x45 3.06	1061665
		Ø10x50 3.52	1061672	Ø10x50 3.30	1061666
		Ø10x70 4.26	1061673	Ø10x70 4.01	1061667
		Ø10x80 4.32	1061674	Ø10x80 4.09	1061668
		Ø10x100		Ø10x100 4.41	1061669
724/G	<i>Lokanie pievadi jaucējkrāniem, nerūsējošā tērauda Ø8x12(10Mx1/2") (90 mm)</i> <i>iekšējās caurules materiāls PEX-B</i>				
				Ø10x35 4.80	1061675
				Ø10x50 5.64	1061676


VEIKALS


706		Lokanie nerūsējošā tērauda pievadi gāzei (1/2"x1/2")					
FF			FM				
	50	4.86	1061109		50	4.86	1061110
	80	5.48	1061111		80	5.48	1061112
	100	6.01	1061113		100	6.01	1061114
	120	6.68	1061115		120	6.68	1061116
	150	7.62	1061117		150	7.62	1061118
	200	9.18	1061119		200	9.18	1061120

714		Lokanais nerūsējošā tērauda pievads Ø13x18					
FF			FM				
	1/2"x200	3.89	1061400		1/2"x200	3.55	1061401
	1/2"x300	4.31	1061402		1/2"x300	3.96	1061403
	1/2"x400	4.72	1061404		1/2"x400	4.38	1061405
	1/2"x500	5.13	1061406		1/2"x500	4.79	1061407
	1/2"x600	5.54	1061408		1/2"x600	5.21	1061409
	1/2"x700	5.95	1061410		1/2"x700	5.62	1061411
	1/2"x800	6.37	1061412		1/2"x800	6.04	1061413
	1/2"x900	6.78	1061414		1/2"x900	6.46	1061415
	1/2"x1000	7.21	1061416		1/2"x1000	6.88	1061417

715		Lokanais nerūsējošā tērauda pievads Ø13x18					
FF			FM				
	3/4"x200	6.35	1061430		3/4"x200	5.96	1061431
	3/4"x300	6.77	1061432		3/4"x300	6.38	1061433
	3/4"x400	7.18	1061434		3/4"x400	6.80	1061435
	3/4"x500	7.61	1061436		3/4"x500	7.21	1061437
	3/4"x600	8.02	1061438		3/4"x600	7.63	1061439
	3/4"x700	8.44	1061440		3/4"x700	8.04	1061441
	3/4"x800	8.85	1061442		3/4"x800	8.46	1061443
	3/4"x900	9.27	1061444		3/4"x900	8.87	1061445
	3/4"x1000	9.68	1061446		3/4"x1000	9.29	1061447








716		Lokanais nerūsējošā tērauda pievads ar līkumu Ø13x18					
FF			FM				
	1/2"x300	7.53	1061460		1/2"x300	7.53	1061460
	1/2"x400	7.94	1061461		1/2"x400	7.94	1061461
	1/2"x500	8.37	1061462		1/2"x500	8.37	1061462
	1/2"x600	8.78	1061463		1/2"x600	8.78	1061463
	1/2"x700	9.19	1061464		1/2"x700	9.19	1061464
	1/2"x800	9.61	1061465		1/2"x800	9.61	1061465
	1/2"x900	10.02	1061466		1/2"x900	10.02	1061466
	1/2"x1000	10.43	1061467		1/2"x1000	10.43	1061467
	1/2"x1200	11.27	1061468		1/2"x1200	11.27	1061468
	1/2"x1500	12.51	1061469		1/2"x1500	12.51	1061469












717		Lokanais nerūsējošā tērauda pievads ar līkumu Ø13x18					
FF			FM				
	3/4"x300	9.77	1061471		3/4"x300	9.77	1061471
	3/4"x400	10.20	1061472		3/4"x400	10.20	1061472
	3/4"x500	10.61	1061473		3/4"x500	10.61	1061473
	3/4"x600	11.03	1061474		3/4"x600	11.03	1061474
	3/4"x700	11.44	1061475		3/4"x700	11.44	1061475
	3/4"x800	11.86	1061476		3/4"x800	11.86	1061476
	3/4"x900	12.27	1061477		3/4"x900	12.27	1061477
	3/4"x1000	12.69	1061478		3/4"x1000	12.69	1061478
	3/4"x1200	13.53	1061479		3/4"x1200	13.53	1061479
	3/4"x1500	14.77	1061480		3/4"x1500	14.77	1061480


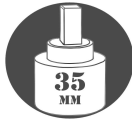

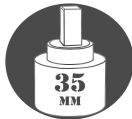






718		Lokanais nerūsējošā tērauda pievads ar līkumu Ø13x18					
FF			FM				
	1/2"F x 3/4"F	1061492	9.48	1/2"M x 3/4"F	300	8.27	1061483
	1/2"F x 3/4"F	1061493	9.94	1/2"M x 3/4"F	400	8.68	1061484
	1/2"F x 3/4"F	1061494	10.41	1/2"M x 3/4"F	500	9.11	1061485
	1/2"F x 3/4"F			1/2"M x 3/4"F	600	9.55	1061617
	1/2"F x 3/4"F	1061731	11.37	1/2"M x 3/4"F	700	11.66	1061745
	1/2"F x 3/4"F			1/2"M x 3/4"F	800	10.36	1061488
	1/2"F x 3/4"F			1/2"M x 3/4"F	900		
	1/2"F x 3/4"F			1/2"M x 3/4"F	1000	11.17	1061688

LOKANIE PIEVADI


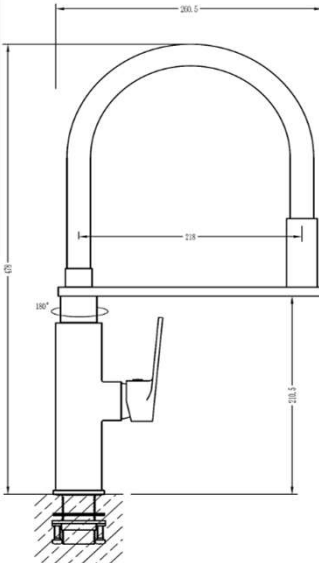


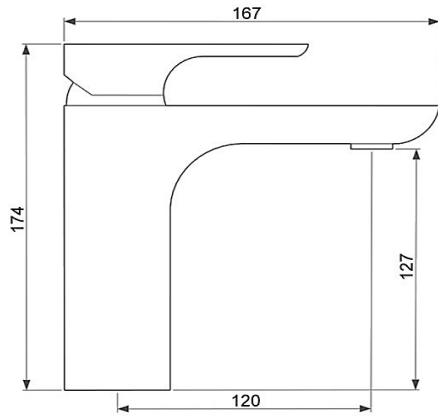


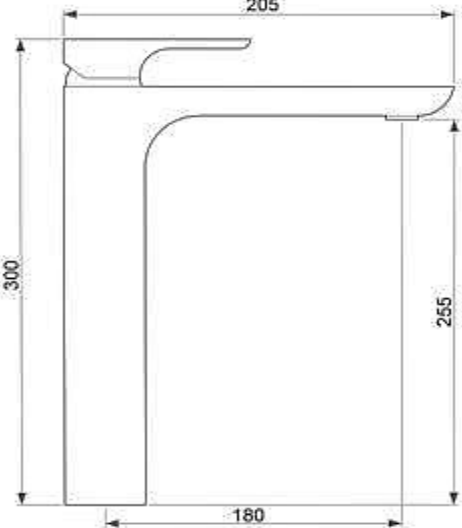

VEIKALS


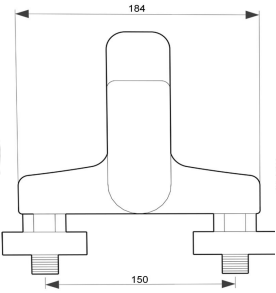
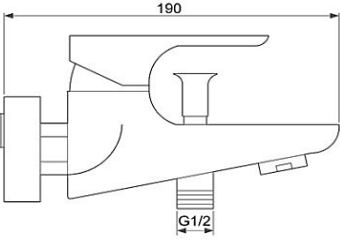


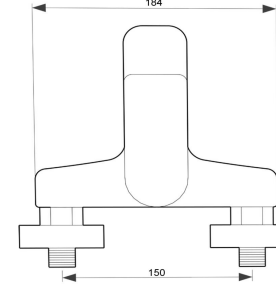
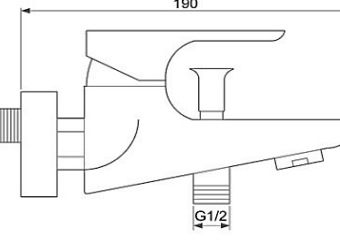


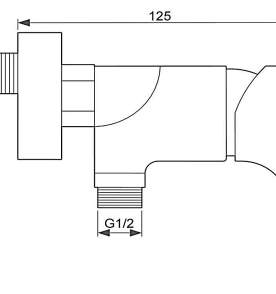
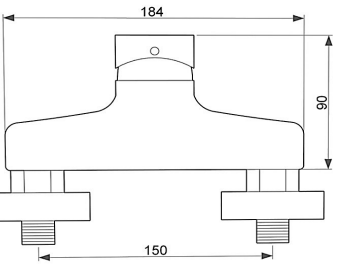


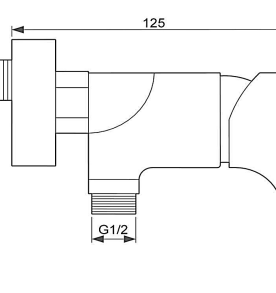
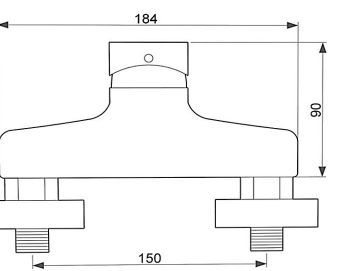

	TF					<i>Antivibrācijas lokanie pievadi</i>				
		3/4"x200	4.68	1061095		1"x300	7.96	1061154		
		3/4"x300	5.22	1061096		1"x400	8.21	1061155		
		3/4"x400	5.77	1061097		1"x500	8.55	1061156		
		3/4"x500	6.32	1061098		1"x600	9.14	1061157		
		3/4"x600	6.88	1061099		1"x700	9.77	1061158		
		3/4"x700	7.44	1061100		1"x800	10.60	1061190		
		3/4"x800	8.00	1061101		1"x900	10.91	1061159		
		3/4"x900	8.56	1061102		1"x1000	11.77	1061160		
		3/4"x1000	9.19	1061103		1"x1200	15.70	1061245		
		3/4"x1200	13.24	1061243		1"x1500	18.04	1061240		
		3/4"x1500	15.31	1061241						
	TFF					<i>Antivibrācijas lokanie pievadi</i>				
		3/4"x300	6.20	1061542		1"x300	8.90	1061279		
		3/4"x400	6.52	1061212		1"x400	9.52	1061207		
		3/4"x500	7.07	1061173		1"x500	10.14	1061178		
		3/4"x600	7.63	1061206		1"x600	10.76	1061191		
		3/4"x700	8.20	1061174		1"x700	11.39	1061177		
		3/4"x800	8.76	1061205		1"x800	12.03	1061192		
		3/4"x900	9.34	1061634		1"x900	12.67	1061189		
		3/4"x1000	9.92	1061175		1"x1000	13.32	1061170		
		3/4"x1200	11.66	1061635		1"x1200	16.39	1061296		
		TFG					<i>Antivibrācijas lokanie pievadi ar līkumu</i>			
		3/4"x300	6.77	1061147		1"x300	8.55	1061161		
		3/4"x400	7.19	1061148		1"x400	9.03	1061162		
		3/4"x500	7.58	1061149		1"x500	9.52	1061163		
		3/4"x600	8.06	1061150		1"x600	9.89	1061164		
		3/4"x700	8.55	1061151		1"x700	10.32	1061165		
		3/4"x800	9.09	1061213		1"x800	10.83	1061202		
		3/4"x900	9.60	1061152		1"x900	11.21	1061166		
		3/4"x1000	9.92	1061153		1"x1000	11.58	1061167		
						1"x1200	17.21	1061297		
		TFFG					<i>Antivibrācijas lokanie pievadi ar līkumu</i>			
		3/4"x500	9.44	1061347		1"x500	13.36	1061238		
		3/4"x600	9.92	1061244		1"x600	13.89	1061298		
		3/4"x700	10.30	1061545		1"x700	14.42	1061239		
		3/4"x800	10.90	1061283		1"x800	16.58	1061547		
		3/4"x900				1"x900	17.40	1061734		
		3/4"x1000	11.90	1061294		1"x1000	18.12	1061540		
	TFN					<i>Antivibrācijas lokanie pievadi, nerūsējošais tērauds</i>				
		3/4"x200	4.96	1061312		1"x300	8.03	1061145		
		3/4"x300	5.67	1061313		1"x400	8.64	1061146		
		3/4"x400	6.39	1061314		1"x500	9.26	1061176		
		3/4"x500	7.12	1061315		1"x600	9.90	1061299		
		3/4"x600	7.86	1061316		1"x700	10.53	1061300		
		3/4"x700	8.61	1061317		1"x800	11.17	1061301		
		3/4"x800	9.35	1061318		1"x900	11.81	1061302		
		3/4"x900	10.12	1061319		1"x1000	12.47	1061129		
		3/4"x1000	10.87	1061320		1"x1200	15.17	1061130		
						1"x1500	17.95	1061132		
		TFFN					<i>Antivibrācijas lokanie pievadi, nerūsējošais tērauds</i>			
			3/4"x300	6.42	1061331		1"x300	8.85	1061330	
		3/4"x400	7.14	1061333		1"x400	9.44	1061332		
		3/4"x500	7.87	1061335		1"x500	10.05	1061334		
		3/4"x600	8.62	1061337		1"x600	10.67	1061336		
		3/4"x700	9.37	1061339		1"x700	11.30	1061338		
		3/4"x800	10.13	1061341		1"x800	11.93	1061340		
		3/4"x900	10.89	1061343		1"x900	12.57	1061342		
		3/4"x1000	11.66	1061345		1"x1000	13.23	1061344		
	TFGN					<i>Antivibrācijas lokanie pievadi ar līkumu (nerūsējošā tērauda)</i>				
		3/4"x300	11.10	1061321		1"x300	14.41	1061303		
		3/4"x400	11.92	1061322		1"x400	15.12	1061304		
		3/4"x500	12.75	1061323		1"x500	15.85	1061305		
		3/4"x600	13.59	1061324		1"x600	16.56	1061306		
		3/4"x700	14.43	1061325		1"x700	17.31	1061307		
		3/4"x800	15.29	1061326		1"x800	18.04	1061308		
		3/4"x900	16.15	1061327		1"x900	18.80	1061309		
		3/4"x1000	17.01	1061328		1"x1000	19.54	1061310		
		3/4"x1200	20.66	1061329		1"x1200	23.18	1061311		


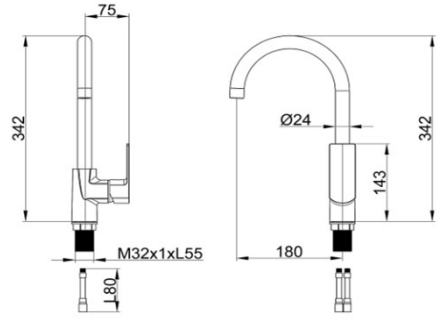


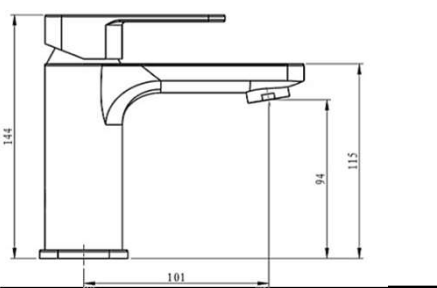


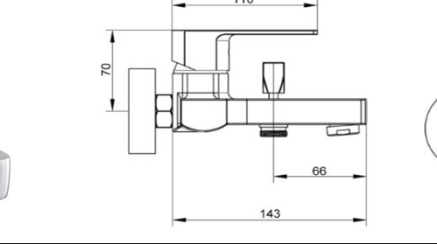


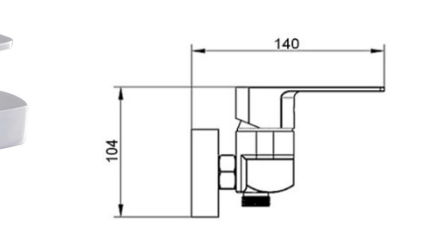


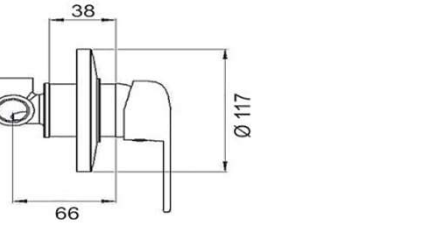


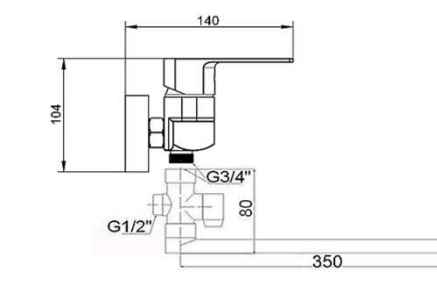

<p>TFFGN</p> 	<p><i>Antivibrācijas lokanie pievadi ar līkumu (nerūsējošā tērauda)</i></p> <table border="1"> <tr><td>3/4"x300</td><td>11.85</td><td>1061365</td><td>1"x300</td><td>15.08</td><td>1061374</td></tr> <tr><td>3/4"x400</td><td>12.70</td><td>1061366</td><td>1"x400</td><td>15.81</td><td>1061375</td></tr> <tr><td>3/4"x500</td><td>13.54</td><td>1061367</td><td>1"x500</td><td>16.53</td><td>1061376</td></tr> <tr><td>3/4"x600</td><td>14.38</td><td>1061368</td><td>1"x600</td><td>17.26</td><td>1061377</td></tr> <tr><td>3/4"x700</td><td>15.24</td><td>1061369</td><td>1"x700</td><td>18.00</td><td>1061378</td></tr> <tr><td>3/4"x800</td><td>16.10</td><td>1061370</td><td>1"x800</td><td>18.74</td><td>1061379</td></tr> <tr><td>3/4"x900</td><td>16.97</td><td>1061371</td><td>1"x900</td><td>19.49</td><td>1061380</td></tr> <tr><td>3/4"x1000</td><td>17.85</td><td>1061372</td><td>1"x1000</td><td>20.25</td><td>1061381</td></tr> <tr><td>3/4"x1200</td><td>21.60</td><td>1061373</td><td>1"x1200</td><td>23.97</td><td>1061382</td></tr> </table>	3/4"x300	11.85	1061365	1"x300	15.08	1061374	3/4"x400	12.70	1061366	1"x400	15.81	1061375	3/4"x500	13.54	1061367	1"x500	16.53	1061376	3/4"x600	14.38	1061368	1"x600	17.26	1061377	3/4"x700	15.24	1061369	1"x700	18.00	1061378	3/4"x800	16.10	1061370	1"x800	18.74	1061379	3/4"x900	16.97	1061371	1"x900	19.49	1061380	3/4"x1000	17.85	1061372	1"x1000	20.25	1061381	3/4"x1200	21.60	1061373	1"x1200	23.97	1061382
3/4"x300	11.85	1061365	1"x300	15.08	1061374																																																		
3/4"x400	12.70	1061366	1"x400	15.81	1061375																																																		
3/4"x500	13.54	1061367	1"x500	16.53	1061376																																																		
3/4"x600	14.38	1061368	1"x600	17.26	1061377																																																		
3/4"x700	15.24	1061369	1"x700	18.00	1061378																																																		
3/4"x800	16.10	1061370	1"x800	18.74	1061379																																																		
3/4"x900	16.97	1061371	1"x900	19.49	1061380																																																		
3/4"x1000	17.85	1061372	1"x1000	20.25	1061381																																																		
3/4"x1200	21.60	1061373	1"x1200	23.97	1061382																																																		
<p>341/A</p> 	<p><i>Ieplūdes pievadi veļas mašīnām (PVC)</i></p> <table border="1"> <tr><td>3/4"x150</td><td>3.06</td><td>1061104</td></tr> <tr><td>3/4"x200</td><td>3.76</td><td>1061105</td></tr> <tr><td>3/4"x250</td><td>4.31</td><td>1061106</td></tr> <tr><td>3/4"x300</td><td>4.99</td><td>1061107</td></tr> <tr><td>3/4"x400</td><td>6.35</td><td>1061108</td></tr> </table>	3/4"x150	3.06	1061104	3/4"x200	3.76	1061105	3/4"x250	4.31	1061106	3/4"x300	4.99	1061107	3/4"x400	6.35	1061108																																							
3/4"x150	3.06	1061104																																																					
3/4"x200	3.76	1061105																																																					
3/4"x250	4.31	1061106																																																					
3/4"x300	4.99	1061107																																																					
3/4"x400	6.35	1061108																																																					
<p>341</p> 	<p><i>Ieplūdes pievadi veļas mašīnām ar līkumu (PVC)</i></p> <table border="1"> <tr><td>3/4"x100</td><td>2.87</td><td>1061295</td></tr> <tr><td>3/4"x150</td><td>3.12</td><td>1061080</td></tr> <tr><td>3/4"x200</td><td>3.78</td><td>1061081</td></tr> <tr><td>3/4"x250</td><td>4.35</td><td>1061082</td></tr> <tr><td>3/4"x300</td><td>5.04</td><td>1061083</td></tr> <tr><td>3/4"x400</td><td>6.43</td><td>1061084</td></tr> <tr><td>3/4"x500</td><td>8.47</td><td>1061186</td></tr> </table>	3/4"x100	2.87	1061295	3/4"x150	3.12	1061080	3/4"x200	3.78	1061081	3/4"x250	4.35	1061082	3/4"x300	5.04	1061083	3/4"x400	6.43	1061084	3/4"x500	8.47	1061186																																	
3/4"x100	2.87	1061295																																																					
3/4"x150	3.12	1061080																																																					
3/4"x200	3.78	1061081																																																					
3/4"x250	4.35	1061082																																																					
3/4"x300	5.04	1061083																																																					
3/4"x400	6.43	1061084																																																					
3/4"x500	8.47	1061186																																																					
<p>342</p> 	<p><i>Noplūdes pievadi veļas mašīnām</i></p> <table border="1"> <tr><td>150</td><td>1.83</td><td>1061075</td></tr> <tr><td>200</td><td>2.17</td><td>1061076</td></tr> <tr><td>250</td><td>2.53</td><td>1061077</td></tr> <tr><td>300</td><td>2.92</td><td>1061078</td></tr> <tr><td>400</td><td>3.85</td><td>1061187</td></tr> <tr><td>500</td><td>4.50</td><td>1061188</td></tr> </table>	150	1.83	1061075	200	2.17	1061076	250	2.53	1061077	300	2.92	1061078	400	3.85	1061187	500	4.50	1061188																																				
150	1.83	1061075																																																					
200	2.17	1061076																																																					
250	2.53	1061077																																																					
300	2.92	1061078																																																					
400	3.85	1061187																																																					
500	4.50	1061188																																																					
<p>704/SM</p> 	<p><i>Lokanais pievads virtuves krānam ar izvelkamu dušu 10x3/8" (smalkā vītne)</i></p> <table border="1"> <tr><td>15</td><td>3.90</td><td>1061362</td></tr> </table>	15	3.90	1061362																																																			
15	3.90	1061362																																																					
<p>339</p> 	<p><i>Štucēris, divpusējs</i></p> <table border="1"> <tr><td>20x20</td><td>0.37</td><td>3936322</td></tr> <tr><td>24x24</td><td>0.37</td><td>3936321</td></tr> </table>	20x20	0.37	3936322	24x24	0.37	3936321																																																
20x20	0.37	3936322																																																					
24x24	0.37	3936321																																																					
<p>700/K</p> 	<p><i>Pagarinātāju komplekts jaucējkrānu pievadiem Ø10</i></p> <table border="1"> <tr><td>88mm</td><td>3.82</td><td>7125001</td></tr> </table>	88mm	3.82	7125001																																																			
88mm	3.82	7125001																																																					
<p>705</p> 	<p><i>Lokanie pievadi, hromēti D13x1/2</i></p> <table border="1"> <tr><td>30 FF</td><td>2.00</td><td>0161005</td></tr> <tr><td>30 FM</td><td>2.59</td><td>0161001</td></tr> <tr><td>40 FM</td><td>2.98</td><td>0161002</td></tr> <tr><td>50 FM</td><td>3.36</td><td>0161003</td></tr> <tr><td>60 FM</td><td>3.83</td><td>0161004</td></tr> </table>	30 FF	2.00	0161005	30 FM	2.59	0161001	40 FM	2.98	0161002	50 FM	3.36	0161003	60 FM	3.83	0161004																																							
30 FF	2.00	0161005																																																					
30 FM	2.59	0161001																																																					
40 FM	2.98	0161002																																																					
50 FM	3.36	0161003																																																					
60 FM	3.83	0161004																																																					
<p>700/A</p> 	<p><i>Pievads izlietnes krānam</i></p> <table border="1"> <tr><td>35 cm</td><td>4.75</td><td>2010001</td></tr> <tr><td>50 cm</td><td>7.15</td><td>2010002</td></tr> </table>	35 cm	4.75	2010001	50 cm	7.15	2010002																																																
35 cm	4.75	2010001																																																					
50 cm	7.15	2010002																																																					
<p>706/DZ</p> 	<p><i>Pievads gāzei EN14800</i></p> <table border="1"> <thead> <tr> <th></th> <th>FF</th> <th></th> <th>FM</th> <th></th> </tr> </thead> <tbody> <tr><td>500</td><td>11.13</td><td>1061520</td><td>500</td><td>11.13</td><td>1061526</td></tr> <tr><td>750</td><td>13.53</td><td>1061521</td><td>750</td><td>13.52</td><td>1061527</td></tr> <tr><td>1000</td><td>15.69</td><td>1061522</td><td>1000</td><td>15.69</td><td>1061528</td></tr> <tr><td>1250</td><td>17.20</td><td>1061523</td><td>1250</td><td>17.20</td><td>1061529</td></tr> <tr><td>1500</td><td>19.33</td><td>1061524</td><td>1500</td><td>19.44</td><td>1061530</td></tr> <tr><td>2000</td><td>26.34</td><td>1061525</td><td>2000</td><td>26.34</td><td>1061531</td></tr> </tbody> </table>		FF		FM		500	11.13	1061520	500	11.13	1061526	750	13.53	1061521	750	13.52	1061527	1000	15.69	1061522	1000	15.69	1061528	1250	17.20	1061523	1250	17.20	1061529	1500	19.33	1061524	1500	19.44	1061530	2000	26.34	1061525	2000	26.34	1061531													
	FF		FM																																																				
500	11.13	1061520	500	11.13	1061526																																																		
750	13.53	1061521	750	13.52	1061527																																																		
1000	15.69	1061522	1000	15.69	1061528																																																		
1250	17.20	1061523	1250	17.20	1061529																																																		
1500	19.33	1061524	1500	19.44	1061530																																																		
2000	26.34	1061525	2000	26.34	1061531																																																		
<p>706/DZ 90</p> 	<p><i>Pievads gāzei EN 14800</i></p> <table border="1"> <tr><td>500</td><td>15.34</td><td>1061532</td></tr> <tr><td>750</td><td>16.44</td><td>1061533</td></tr> <tr><td>1000</td><td>20.81</td><td>1061534</td></tr> <tr><td>1250</td><td>23.82</td><td>1061535</td></tr> <tr><td>1500</td><td>27.98</td><td>1061536</td></tr> <tr><td>2000</td><td>27.11</td><td>1061537</td></tr> </table>	500	15.34	1061532	750	16.44	1061533	1000	20.81	1061534	1250	23.82	1061535	1500	27.98	1061536	2000	27.11	1061537																																				
500	15.34	1061532																																																					
750	16.44	1061533																																																					
1000	20.81	1061534																																																					
1250	23.82	1061535																																																					
1500	27.98	1061536																																																					
2000	27.11	1061537																																																					

	<p>MG2660-B</p>	<p><i>Keramiskās izlietnes krāns</i></p>	<p>78.81</p>	<p>7102176</p>
<p>COLD - START</p>				
	<p>MG2660-BH</p>	<p><i>Keramiskās izlietnes krāns</i></p>	<p>77.34</p>	<p>7102197</p>
<p>COLD - START</p>				
	<p>MG2660-M</p>	<p><i>Keramiskās izlietnes krāns</i></p>	<p>84.01</p>	<p>7102177</p>
<p>COLD - START</p>				
	<p>MG2660-MH</p>	<p><i>Keramiskās izlietnes krāns</i></p>	<p>82.29</p>	<p>7102198</p>
<p>COLD - START</p>				
	<p>MG2655-M</p>	<p><i>Virtuves izlietnes krāns</i></p>	<p>79.14</p>	<p>7102196</p>
				

	MG2640-B 71.87	<i>Dušas krāns bez komplekta</i> 7102180 
	MG2640-BH 67.06	<i>Dušas krāns bez komplekta</i> 7102194 
	MG2640-M 73.53	<i>Dušas krāns bez komplekta</i> 7102181 
	MG2640-MH 71.90	<i>Dušas krāns bez komplekta</i> 7102195 

	<p>MG-2359</p> 	<p><i>Virtuves izlietnes krāns ar lokanu izteku</i></p> <p>137.71</p>	<p>7102188</p> <p>35 mm</p> 
	<p>MG - 2360</p> 	<p><i>Keramiskās izlietnes krāns</i></p> <p>77.10</p>	<p>7102102</p> <p>35 mm</p> 
	<p>MG - 2362</p> 	<p><i>Keramiskās izlietnes krāns, augstais</i></p> <p>121.12</p>	<p>7102103</p> <p>35 mm</p> 

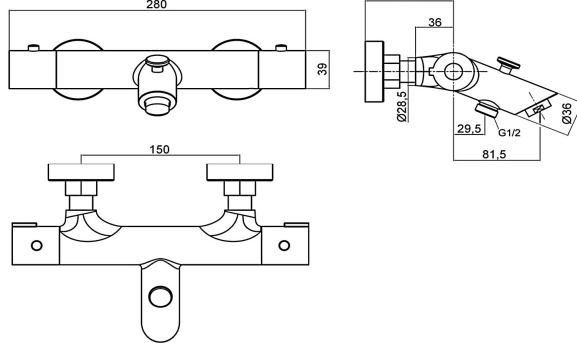
	<p>MG - 2320</p> 	<p><i>Vannas krāns, bez komplekta</i></p> <p>106.22</p> 	<p>7102104</p> <p>35 mm</p> 
	<p>MG - 2321</p> 	<p><i>Vannas krāns ar komplektu</i></p> <p>122.20</p> 	<p>7102105</p> <p>35 mm</p> 
	<p>MG - 2340</p> 	<p><i>Dušas krāns bez komplekta</i></p> <p>76.64</p> 	<p>7102106</p> <p>35 mm</p> 
	<p>MG - 2341</p> 	<p><i>Dušas krāns ar komplektu</i></p> <p>83.31</p> 	<p>7102107</p> <p>35 mm</p> 

	<p>MG - 2555</p> 	<p><i>Virtuves izlietnes krāns</i></p> <p>55.59</p> <p>7102174</p> <p>35 mm</p> 
	<p>MG - 2560</p> 	<p><i>Keramiskās izlietnes krāns</i></p> <p>57.41</p> <p>7102072</p> <p>35 mm</p> 
	<p>MG - 2520</p> 	<p><i>Vannas krāns bez komplekta</i></p> <p>61.90</p> <p>7102069</p> <p>35 mm</p> 
	<p>MG - 2540</p> 	<p><i>Dušas krāns, bez komplekta</i></p> <p>45.58</p> <p>7102070</p> <p>35 mm</p> 
	<p>MG - 2548</p> 	<p><i>Zemapmetuma dušas krāns</i></p> <p>63.13</p> <p>7102187</p> <p>35 mm</p> 
	<p>MG - 2538</p> 	<p><i>Vannas krāns, izteka 350 mm</i></p> <p>69.42</p> <p>7102199</p> <p>35 mm</p> 

MG - 2220

103.02

7105001

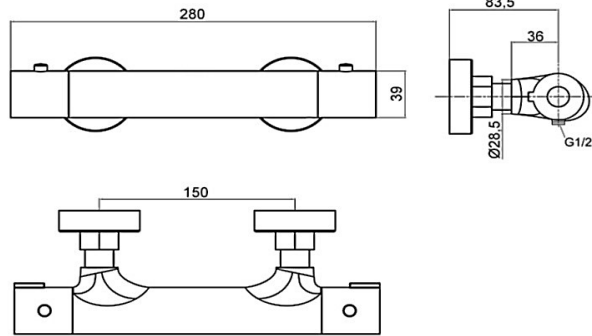


MG - 2240

Dušas krāns ar termostatu

92.31

7105002



MG-2290

Dušas krāns ar dušas stieni

201.91

7105003

MG-2292

Dušas krāns ar dušas stieni (neuzkarstošs korpuss)

256.40

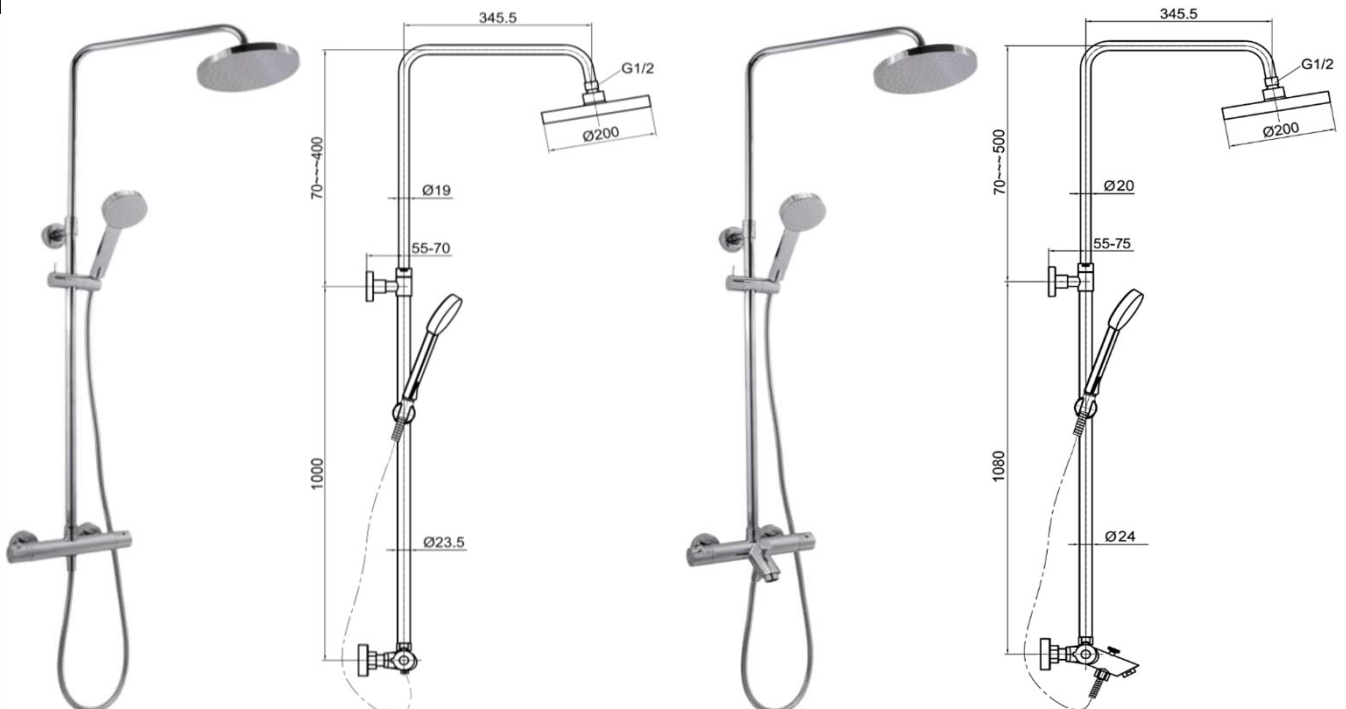
7105006

MG-2295


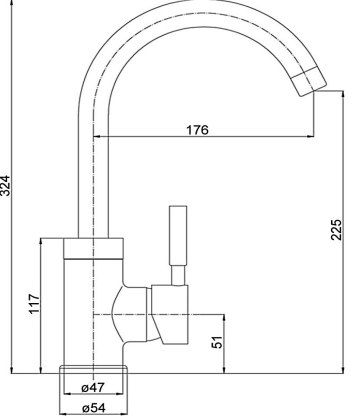


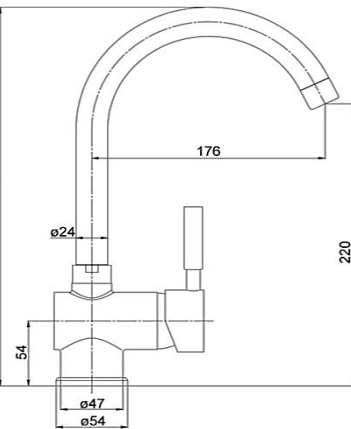


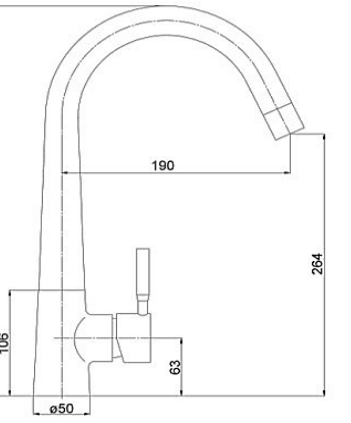


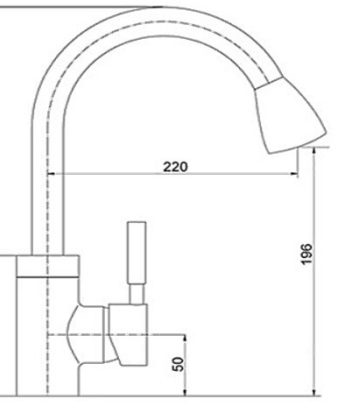

Dušas krāns (ar izteku), ar dušas stieni

244.77

7105004



VEIKALS


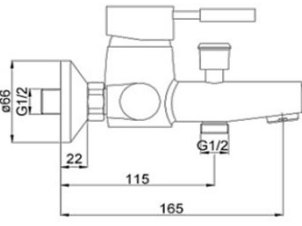
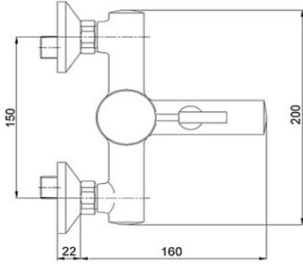


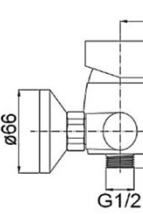
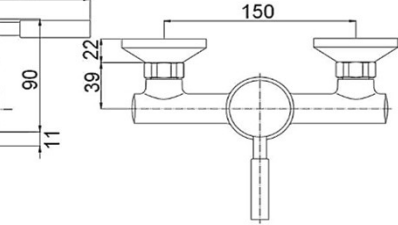



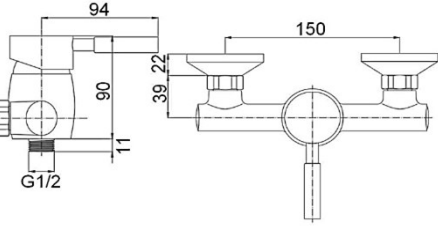


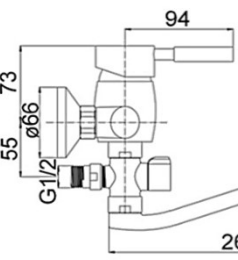
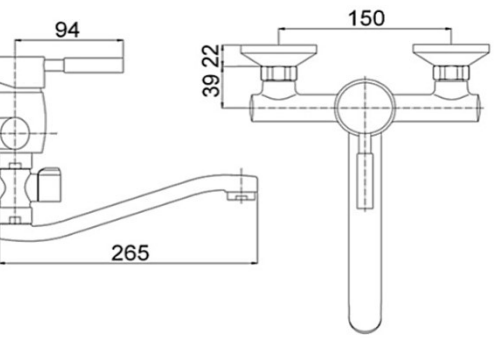

	<p>MG - 2055</p> 	<p>EUR</p> <p>52.78</p>	<p><i>Virtuves izlietnes krāns</i></p> <p>7103190</p> <p>40 mm</p> 
	<p>MG - 2054</p> 	<p>53.50</p>	<p><i>Virtuves izlietnes krāns</i></p> <p>7103189</p> <p>40 mm</p> 
	<p>MG - 2053</p> 	<p>70.86</p>	<p><i>Virtuves izlietnes krāns</i></p> <p>7102161</p> <p>35 mm</p> 
	<p>MG-2056</p> 	<p>89.61</p>	<p><i>Virtuves izlietnes krāns ar izvelkamu dušu</i></p> <p>7103203</p> <p>35 mm</p> 

Sērija Abava

VEIKALS

	<p>MG-2057</p>	<p><i>Virtuves izlietnes krāns ar izvelkamu izteku</i></p>	<p>76.53</p>	<p>7103204</p>
	<p>35 mm</p>			
	<p>MG - 2058</p>	<p><i>Virtuves izlietnes krāns ar izvadu filtrētam ūdenim</i></p>	<p>77.00</p>	<p>7102193</p>
	<p>35 mm</p>			
	<p>MG - 2060</p>	<p><i>Keramiskās izlietnes krāns</i></p>	<p>65.51</p>	<p>7103191</p>
	<p>40 mm</p>			

VEIKALS

	<p>MG-2020</p>	<p>Vannas krāns</p>
		<p>51.72</p>
		<p>7103201 40 mm</p>
		
	<p>MG - 2040</p>	<p>Dušas kabīnes krāns</p>
		<p>39.04</p>
		<p>7103192</p>
		<p>40 mm</p>
		
	<p>MG - 2041</p>	<p>Dušas kabīnes krāns komplektā</p>
		<p>45.67</p>
		<p>7103093</p>
		<p>40 mm</p>
		
	<p>MG - 2036</p>	<p>Vannas krāns</p>
		<p>62.18</p>
		<p>7103193</p>
		<p>40 mm</p>
		

VEIKALS

EUR

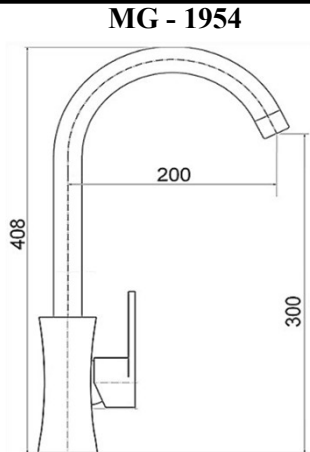
Virtuves izlietnes krāns

53.63

7102073

JAUNUMS

35 mm

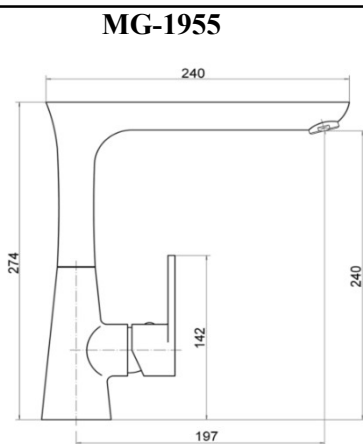


Virtuves izlietnes krāns

70.74

7102156

35 mm

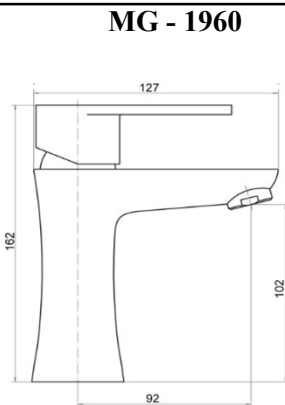


Keramiskās izlietnes krāns

45.69

7102158

35 mm

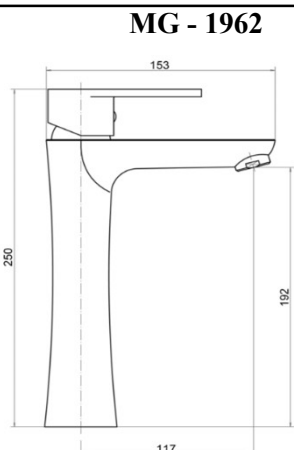



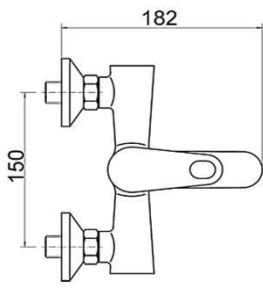
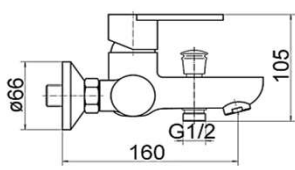


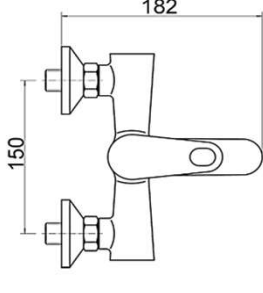
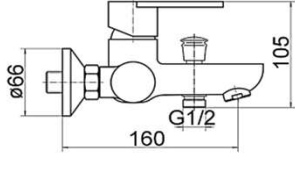


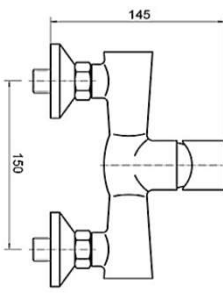
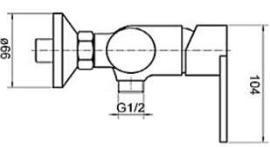


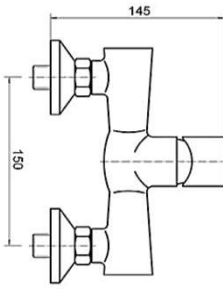
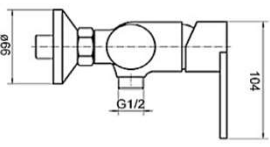

Keramiskās izlietnes krāns

59.30

7102159

35 mm



	<p>MG - 1920</p> 	<p>57.66</p> 	<p><i>Vannas krāns</i></p> <p>7102153 35 mm</p> 
	<p>MG - 1921</p> 	<p>66.86</p> 	<p><i>Vannas krāns</i></p> <p>7102164 35 mm</p> 
	<p>MG - 1940</p> 	<p>43.06</p> 	<p><i>Duļas kabīnes krāns</i></p> <p>7102155 35 mm</p> 
	<p>MG - 1941</p> 	<p>51.76</p> 	<p><i>Duļas kabīnes krāns</i></p> <p>7102165 35 mm</p> 

MG - 1934 *Vannas krāns, izteka 300 mm*

7102154
35 mm

MG - 1990 *Dušas krāns ar dušas stieni*

156.98 **7102184**
35 mm


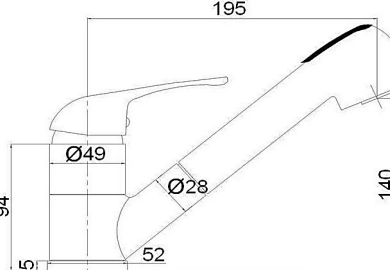


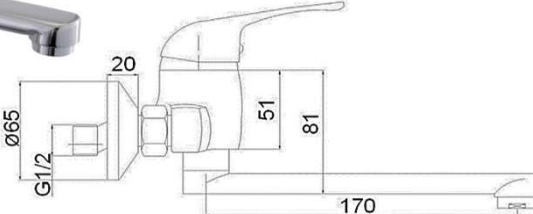


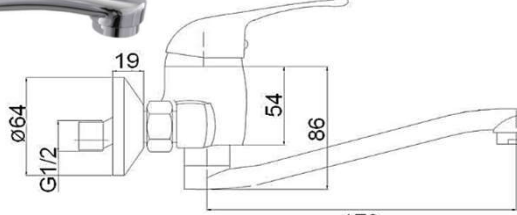


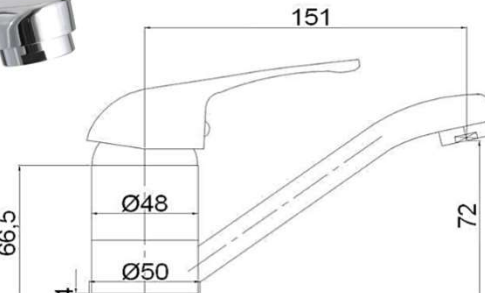

MG - 6001-5 *Virtuves jaucējkrāns ar caurplūdes sildītāju*


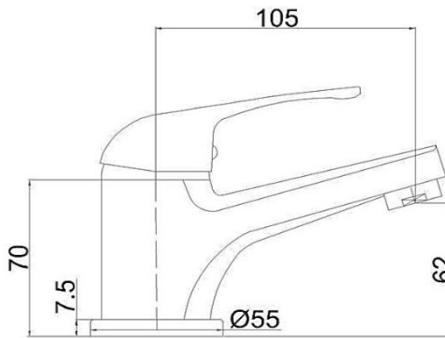


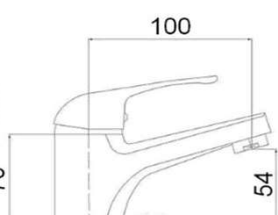


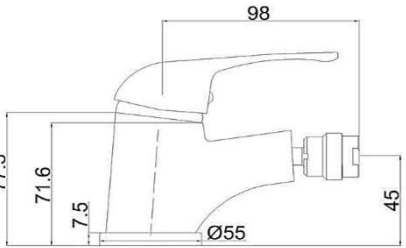


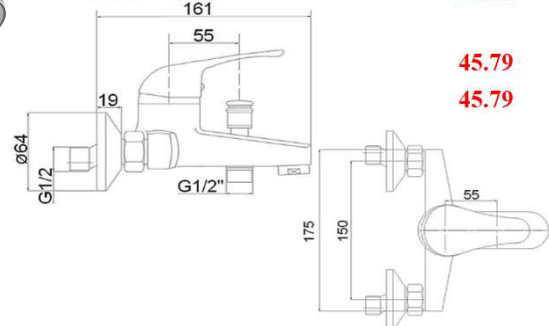


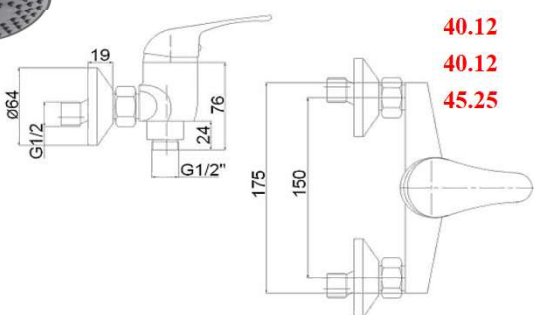

3 KW
MG6001-5 69.99 7108001


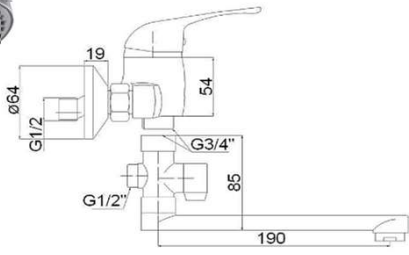



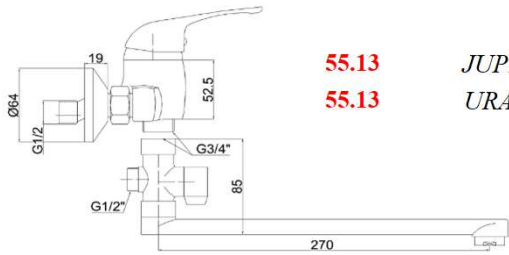



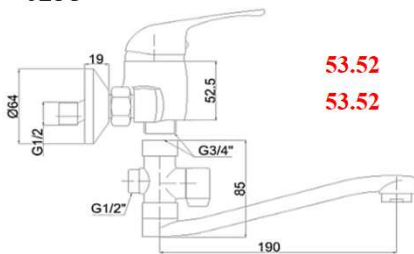



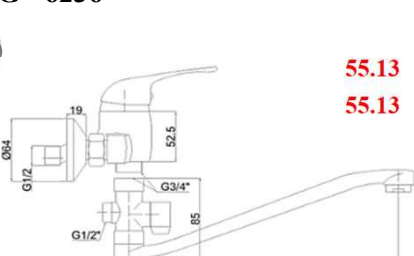


VEIKALS

	<p>MG - 6250</p>	<p>EUR</p> <p>31.07 31.07 36.21</p>	<p><i>Virtuves izlietnes krāns</i></p> <table border="0"> <tr> <td>JUPITS</td> <td>7103003</td> </tr> <tr> <td>URANS</td> <td>7103010</td> </tr> <tr> <td>LG</td> <td>7104005</td> </tr> </table> <p>JUPITS URANS 40 mm</p>	JUPITS	7103003	URANS	7103010	LG	7104005
JUPITS	7103003								
URANS	7103010								
LG	7104005								
	<p>MG - 6255</p>	<p>42.48 42.48 47.60</p>	<p><i>Virtuves izlietnes krāns</i></p> <table border="0"> <tr> <td>JUPITS</td> <td>7103009</td> </tr> <tr> <td>URANS</td> <td>7103012</td> </tr> <tr> <td>LG</td> <td>7103200</td> </tr> </table> <p>JUPITS URANS 40 mm</p>	JUPITS	7103009	URANS	7103012	LG	7103200
JUPITS	7103009								
URANS	7103012								
LG	7103200								
	<p>MG - 6252</p>	<p>41.43 41.43 46.56</p>	<p><i>Virtuves izlietnes krāns</i></p> <table border="0"> <tr> <td>JUPITS</td> <td>7103185</td> </tr> <tr> <td>URANS</td> <td>7103187</td> </tr> <tr> <td>LG</td> <td>7104012</td> </tr> </table> <p>JUPITS URANS 40 mm</p>	JUPITS	7103185	URANS	7103187	LG	7104012
JUPITS	7103185								
URANS	7103187								
LG	7104012								
	<p>MG - 6253</p>	<p>43.69 43.69</p>	<p><i>Virtuves izlietnes krāns</i></p> <table border="0"> <tr> <td>JUPITS</td> <td>7103205</td> </tr> <tr> <td>URANS</td> <td>7103206</td> </tr> </table> <p>JUPITS URANS 40 mm</p>	JUPITS	7103205	URANS	7103206		
JUPITS	7103205								
URANS	7103206								


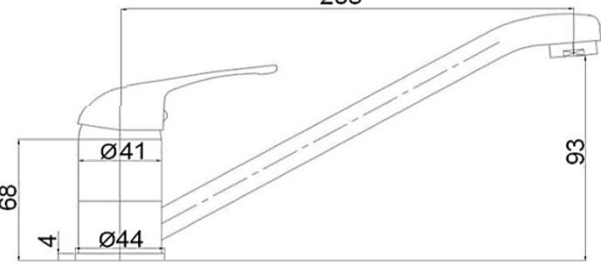


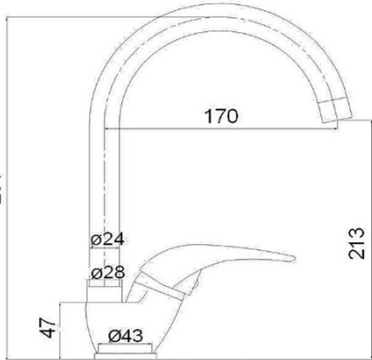


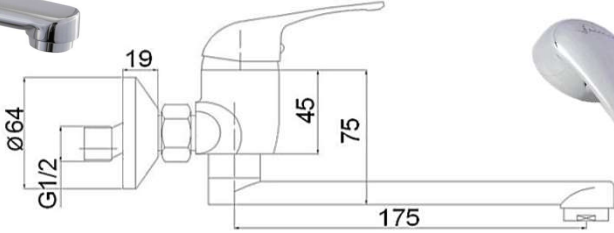


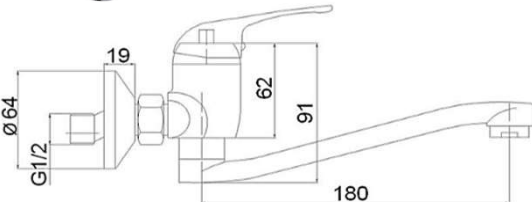

VEIKALS

<p>MG - 6256</p> 	<p>49.06 49.06</p> 	<p><i>Virtuves izlietnes krāns ar dušu</i></p> <p>JUPITS 7103023 URANS 7103024</p> <p>JUPITS URANS 40 mm</p> 
<p>MG - 6231</p> 	<p>41.95 41.95 47.08</p> 	<p><i>Virtuves izlietnes krāns</i></p> <p>JUPITS 7103039 URANS 7103040 LG 7104010</p> <p>JUPITS URANS 40 mm</p> 
<p>MG - 6232</p> 	<p>EUR</p> <p>41.95 41.95 47.08</p> 	<p><i>Virtuves izlietnes krāns</i></p> <p>JUPITS 7103043 URANS 7103044 LG 7104011</p> <p>JUPITS URANS 40 mm</p> 
<p>MG - 6251</p> 	<p>30.55 30.55 35.69</p> 	<p><i>Izlietnes krāns, izteka 150 mm</i></p> <p>JUPITS 7103006 URANS 7103011 LG 7104006</p> <p>JUPITS URANS 40 mm</p> 

	<p>MG - 6260</p> 	<p>34.13 34.13 39.26</p>	<p><i>Keramiskās izlietnes krāns</i></p> <p>JUPITS 7103015 URANS 7103016 LG 7104004</p> <p>JUPITS URANS 40 mm</p> 
	<p>MG - 6270</p> 	<p>49.06 49.06</p> <p>JAUNUMS</p>	<p><i>Izlietnes krāns ar bidetu</i></p> <p>JUPITS 7103077 URANS 7103078</p> <p>JUPITS URANS 40 mm</p> 
	<p>MG - 6280</p> 	<p>32.40 32.40</p>	<p><i>Bidē krāns ar noteci</i></p> <p>JUPITS 7103019 URANS 7103020</p> <p>JUPITS URANS 40 mm</p> 
	<p>MG - 6221</p> 	<p>EUR</p> <p>45.79 45.79</p>	<p><i>Vannas krāns ar dušu</i></p> <p>JUPITS 7103051 URANS 7103052</p> <p>JUPITS URANS 40 mm</p> 
	<p>MG - 6241</p> 	<p>40.12 40.12 45.25</p>	<p><i>Krāns dušas kabīnei</i></p> <p>JUPITS 7103035 URANS 7103036 LG 7104009</p> <p>JUPITS URANS 40 mm</p> 


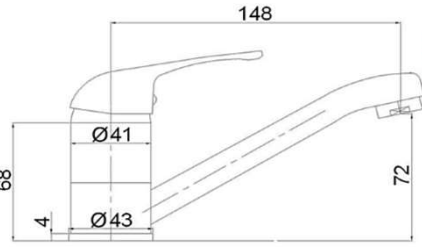


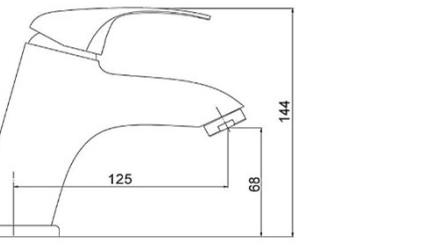


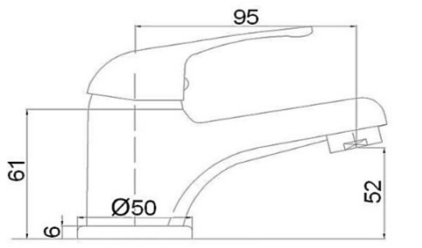


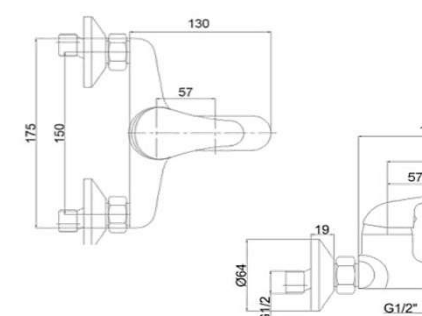


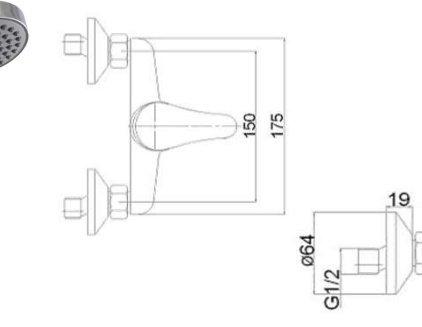

	<p>MG - 6233</p>  <p><i>Pārslēdzējs</i></p> 	<p><i>Vannas krāns, izteka 200 mm</i></p> <p>53.52 <i>JUPITS</i> 7103071 53.52 <i>URANS</i> 7103072</p> <p><i>JUPITS</i> <i>URANS</i> 40 mm</p> 
	<p>MG - 6234</p>  <p><i>Pārslēdzējs</i></p> 	<p><i>Vannas krāns, izteka 300 mm</i></p> <p>55.13 <i>JUPITS</i> 7103031 55.13 <i>URANS</i> 7103032</p> <p><i>JUPITS</i> <i>URANS</i> 40 mm</p> 
	<p>MG - 6235</p>  <p><i>Pārslēdzējs</i></p> 	<p><i>Vannas krāns, izteka 200 mm</i></p> <p>53.52 <i>JUPITS</i> 7103067 53.52 <i>URANS</i> 7103068</p> <p><i>JUPITS</i> <i>URANS</i> 40 mm</p> 
	<p>MG - 6236</p>  <p><i>Pārslēdzējs</i></p> 	<p><i>Vannas krāns, izteka 300 mm</i></p> <p>55.13 <i>JUPITS</i> 7103027 55.13 <i>URANS</i> 7103028</p> <p><i>JUPITS</i> <i>URANS</i> 40 mm</p> 

VEIKALS

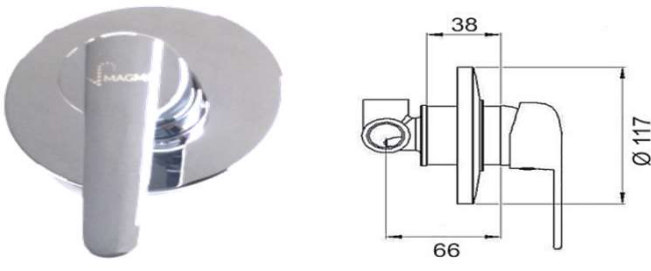



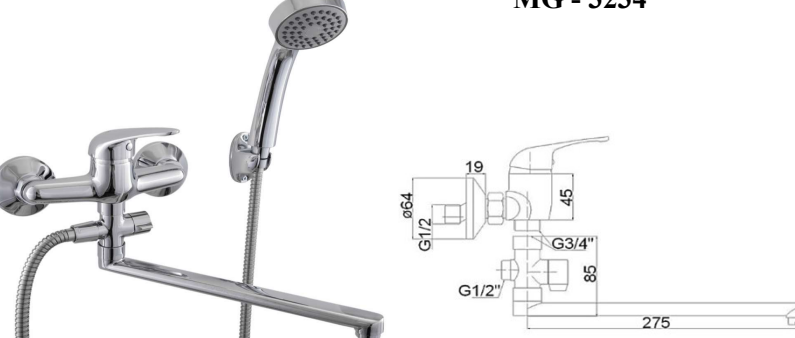





	<p>MG - 3250</p> 	<p>EUR</p> <p>26.39 26.39</p>	<p><i>Virtuves izlietnes krāns</i></p> <p>SATO 7102002 URANS 7102003</p> <p>SATO URANS 35 mm</p> 
	<p>MG - 3255</p> 	<p>37.54 37.54</p>	<p><i>Virtuves izlietnes krāns</i></p> <p>SATO 7102008 URANS 7102009</p> <p>SATO URANS 35 mm</p> 
	<p>MG - 3231</p> 	<p>35.52 35.52</p>	<p><i>Virtuves izlietnes krāns</i></p> <p>SATO 7102029 URANS 7102030</p> <p>SATO URANS 35 mm</p> 
	<p>MG - 3232</p> 	<p>35.52 35.52</p>	<p><i>Virtuves izlietnes krāns</i></p> <p>SATO 7102032 URANS 7102033</p> <p>SATO URANS 35 mm</p> 

Sērija ECO


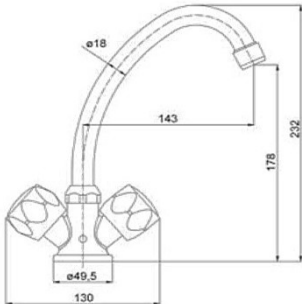

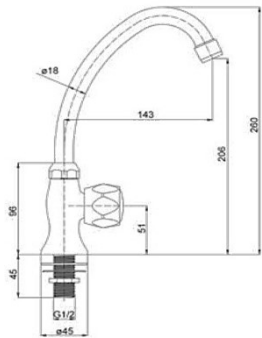

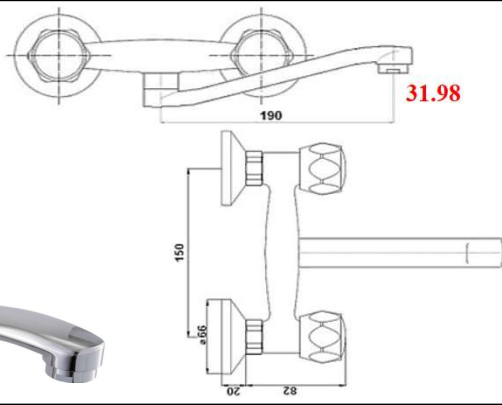

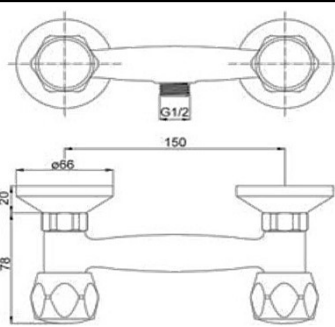

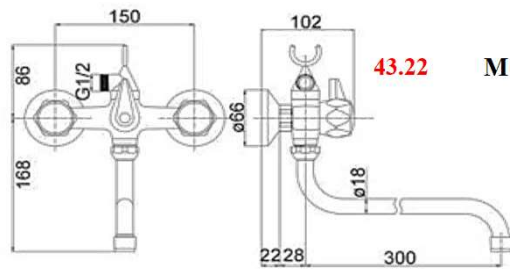
VEIKALS

	<p>MG - 3251</p> 	<p>25.97 25.97</p>	<p><i>Izlietnes krāns, izteka 150 mm</i></p> <p>SATO 7102005 URANS 7102006</p> <p>SATO URANS 35 mm</p> 
	<p>MG-3263</p> 	<p>32.55 31.84</p>	<p><i>Keramiskās izlietnes krāns</i></p> <p>SATO 7102166 URANS 7102167</p> <p>SATO URANS 35 mm</p> 
	<p>MG - 3260</p> 	<p>26.88 26.88</p>	<p><i>Keramiskās izlietnes krāns</i></p> <p>SATO 7102011 URANS 7102012</p> <p>SATO URANS 35 mm</p> 
	<p>MG - 3221</p> 	<p>41.95 41.95</p>	<p><i>Vannas krāns ar dušu</i></p> <p>SATO 7102038 URANS 7102039</p> <p>SATO URANS 35 mm</p> 
	<p>MG - 3241</p> 	<p>34.84 34.84</p>	<p><i>Krāns dušas kabīnei</i></p> <p>SATO 7102026 URANS 7102027</p> <p>SATO URANS 35 mm</p> 


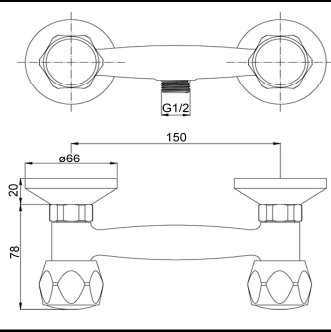

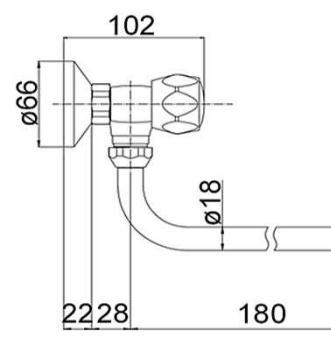

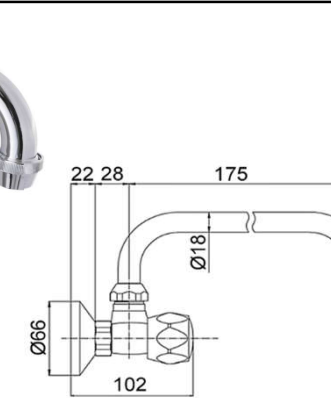

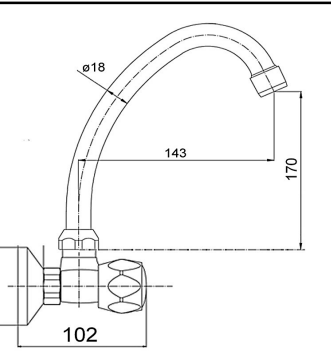
VEIKALS

<p>MG - 3248</p> 		<p>Zemapmetuma dušas krāns</p> <p>EUR 59.77 59.65</p> <p>SATO 7102185 URANS 7102186</p> <p>SATO URANS 35 mm</p> 	
<p>MG - 3233</p> 		<p>Vannas krāns, izteka 200 mm</p> <p>43.50 43.50</p> <p>SATO 7102053 URANS 7102054</p> <p>Pārslēdzējs SATO URANS 35 mm</p> 	
<p>MG - 3234</p> 		<p>Vannas krāns, izteka 300 mm</p> <p>45.99 45.99</p> <p>SATO 7102023 URANS 7102024</p> <p>Pārslēdzējs SATO URANS 35 mm</p> 	
<p>MG - 3235</p> 		<p>Vannas krāns, izteka 200 mm</p> <p>43.50 43.50</p> <p>SATO 7102050 URANS 7102051</p> <p>Pārslēdzējs SATO URANS 35 mm</p> 	
<p>MG - 3236</p> 		<p>Vannas krāns, izteka 300 mm</p> <p>45.99 45.99</p> <p>SATO 7102020 URANS 7102021</p> <p>Pārslēdzējs SATO URANS 35 mm</p> 	

VEIKALS


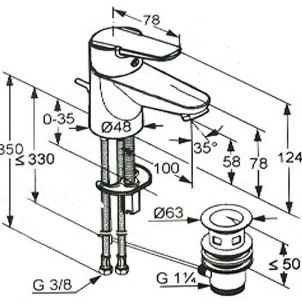

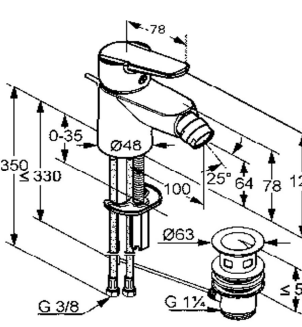

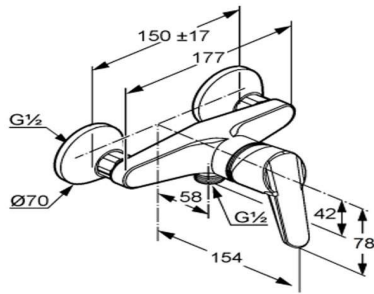

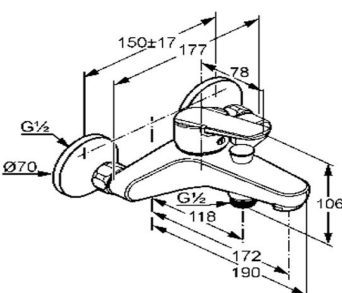

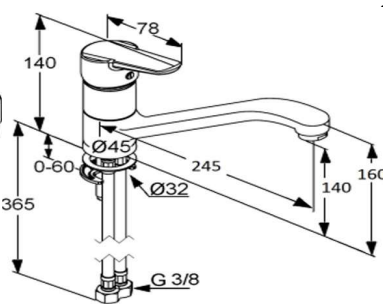
		EUR	<i>Virtuves izlietnes krāns</i>		
		29.20	MG-2150	RING	7101001
		30.58	MG-2150/R	RETRO	7101002
		<i>Izlietnes krāns vienam ūdenim</i>			
		18.90	MG-2151	RING	7101003
		19.60	MG-2151	RETRO	7101010
		<i>Izlietnes krāns no sienas</i>			
		31.98	MG-2132	RING	7101008
		<i>Dušas krāns (izeja 1/2")</i>			
		25.72	MG-2140	RING	7101004
		27.12	MG-2140/R	RETRO	7101005
		<i>Vannas krāns</i>			
		41.81	MG-2134	RING	7101006
		43.22	MG-2134/R	RETRO	7101007

VEIKALS

		<p>EUR 27.55</p>	<p><i>Jaucējkrāns no sienas (izeja 3/4")</i> MG-2130 RING 7101011</p>
		<p>30.75 33.42</p>	<p><i>Izlietnes jaucējkrāns no sienas</i> MG-2145 RING 7101013 MG-2145/R RETRO 7101014</p>
		<p>30.75 33.42</p>	<p><i>Izlietnes jaucējkrāns no sienas</i> MG-2146 RING 7101015 MG-2146/R RETRO 7101016</p>
		<p>30.75 33.42</p>	<p><i>Izlietnes jaucējkrāns no sienas</i> MG-2147 RING 7101017 MG-2147/R RETRO 7101018</p>

JAUCĒJKRĀNI AR SVIRAS ROKTURI

**VEIKALS
EUR**

		<p>D-VISE</p> <p>371810590</p>	<p><i>Keramiskās izlietnes krāns</i></p> <p>100.73 0802017</p>
		<p>D-VISE</p> <p>375320590</p>	<p><i>Bidē krāns</i></p> <p>103.06 0802018</p>
		<p>D-VISE</p> <p>378420590</p>	<p><i>Dušas krāns</i></p> <p>101.61 0802045</p>
		<p>D-VISE</p> <p>376820590</p>	<p><i>Vannas krāns</i></p> <p>130.17 0802030</p>
		<p>D-VISE</p> <p>379550590</p>	<p><i>Virtuves izlietnes krāns</i></p> <p>104.37 0802003</p>



JAUCĒJKRĀNI AR SVIRAS ROKTURI


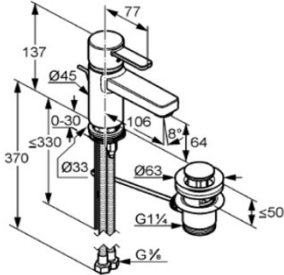

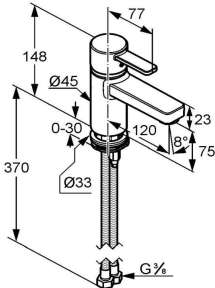

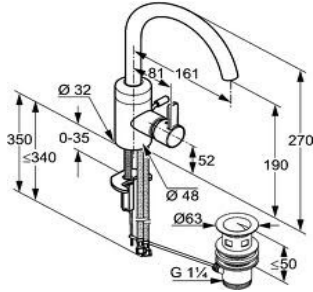

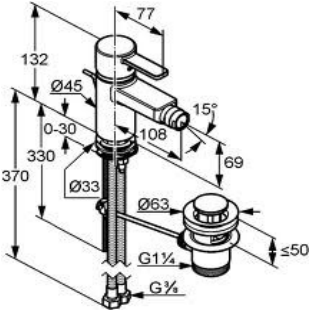

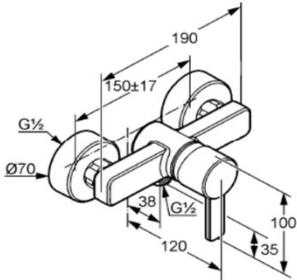

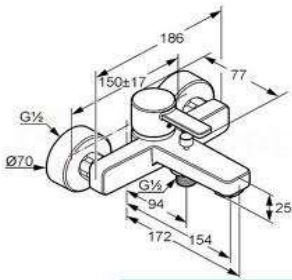


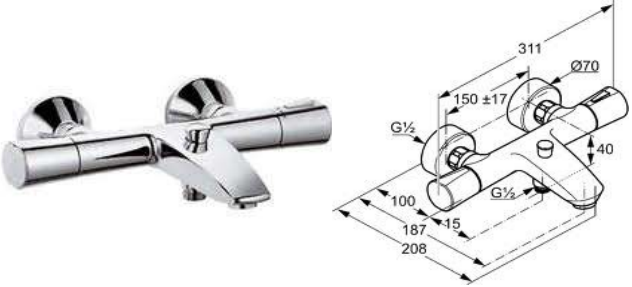
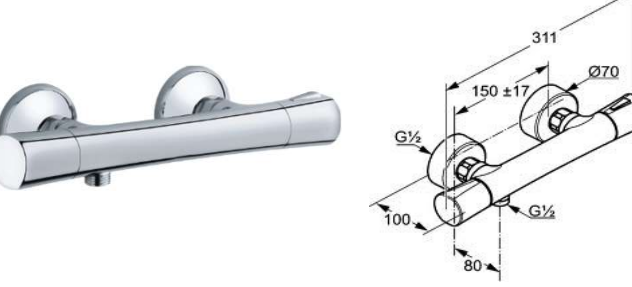



VEIKALS
EUR

		<p>LOGO NEO</p>	<p>Bidē krāns</p>
<p>375310575</p>	<p>124.13</p>	<p>0802101</p>	
		<p>LOGO NEO</p>	<p>Dušas krāns</p>
<p>378410575</p>	<p>111.31</p>	<p>0802006</p>	
		<p>LOGO NEO</p>	<p>Virtuves izlietnes krāns</p>
<p>379130575</p>	<p>120.34</p>	<p>0802008</p>	
		<p>PURE & EASY</p>	<p>Izlietnes krāns</p>
<p>342920575</p>	<p>107.02</p>	<p>0802128</p>	
		<p>PURE & EASY</p>	<p>Izlietnes krāns, augstais</p>
<p>372920565</p>	<p>185.23</p>	<p>0802122</p>	
		<p>PURE & EASY</p>	<p>Vannas krāns</p>
<p>346810575</p>	<p>138.85</p>	<p>0802129</p>	

JAUCĒJKRĀNI AR SVIRAS ROKTURI


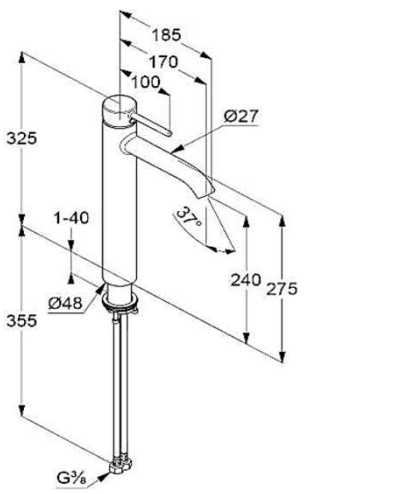

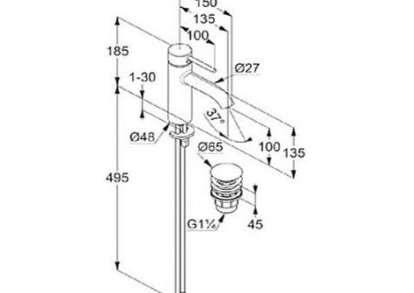

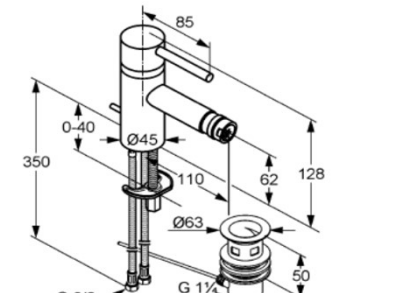

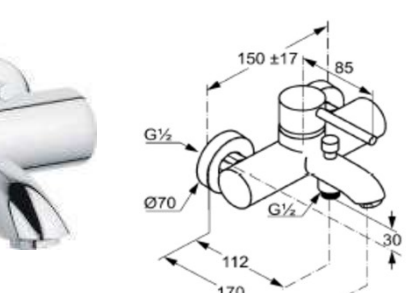

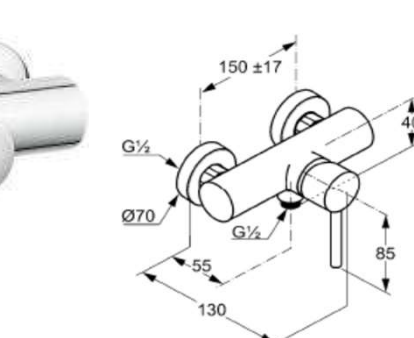
VEIKALS
EUR

		ZENTA	Keramiskās izlietnes krāns	382500575	hroms	184.75	0802086
		ZENTA XL	Keramiskās izlietnes krāns (bez noteces)	382620575		191.23	0802033
		ZENTA	Keramiskās izlietnes krāns (augstais)	382550575		314.67	0802087
		ZENTA	Bidē krāns	385300575	hroms	239.78	0802088
		ZENTA	Dušas krāns	388700575	hroms	211.34	0802090
		ZENTA	Vannas krāns	386700575	hroms	262.01	0802089

	<p>ZENTA <i>Vannas krāns ar termostatu</i></p> <p>351010538 hroms 265.74 0805015</p>
	<p>ZENTA <i>Dušas krāns ar termostatu</i></p> <p>351000538 hroms 195.29 0805014</p>
	<p>OBJEKTA <i>Dušas krāns ar termostatu</i></p> <p>352000538 341.24 0805004</p>
	<p>OBJEKTA <i>Vannas krāns ar termostatu</i></p> <p>352600538 314.29 0805005</p>
	<p>OBJEKTA <i>Vannas krāns ar termostatu</i></p> <p>352010538 517.32 0805021</p>

JAUCĒJKRĀNI AR SVIRAS ROKTURI


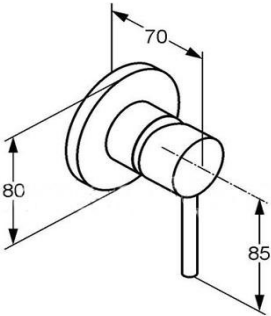

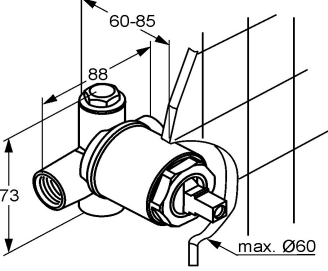

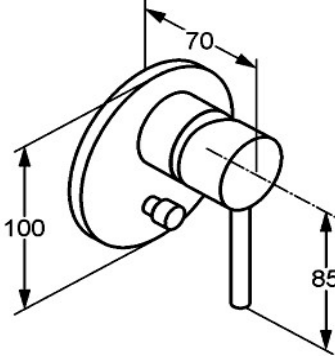

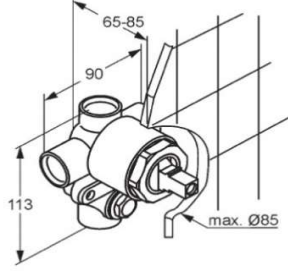

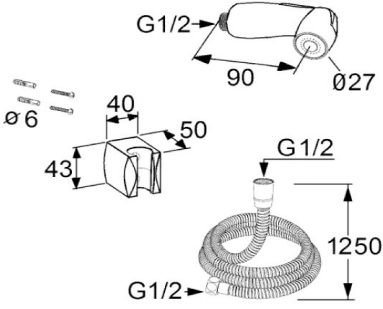
**VEIKALS
EUR**


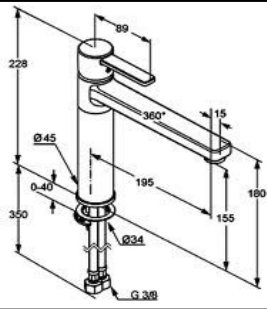

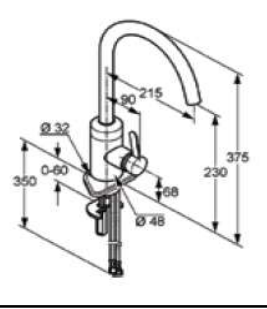

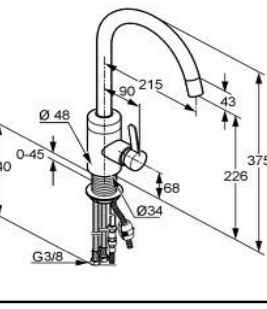

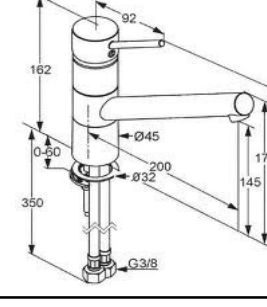

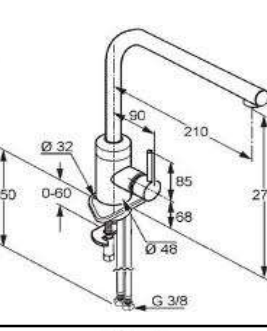

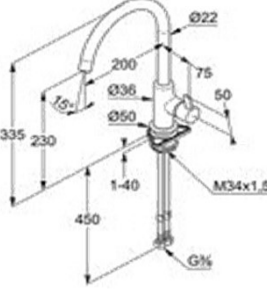
		<p>BOZZ <i>Keramiskās izlietnes krāns</i></p> <p>382860576 272.28 0802131</p>
		<p>BOZZ <i>Keramiskās izlietnes krāns</i></p> <p>382880576 236.44 0802134</p>
		<p>BOZZ <i>Bidē krāns</i></p> <p>385330576 267.73 0802093</p>
		<p>BOZZ <i>Vannas krāns</i></p> <p>386910576 292.31 0802094</p>
		<p>BOZZ <i>Dušas krāns</i></p> <p>388310576 224.76 0802095</p>

		<p>BOZZ <i>Keramiskās izlietnes krāns (augstais)</i></p> <p>382940576 256.75 0802027</p>
		<p>BOZZ <i>Iebūvējamais bidetta komplekts</i></p> <p>389990576 158.72 0802108</p>
		<p>BOZZ <i>Dekoratīvā daļa izl.maisītājam</i></p> <p>382440576 136.83 0802102</p>
		<p>BOZZ <i>Dekoratīvā daļa izl.maisītājam</i></p> <p>382450576 142.46 0810025</p>
		<p>BOZZ <i>Iebūvējamā daļa izl.maisītājam</i></p> <p>38243 112.44 0802011</p>

JAUCĒJKRĀNI AR SVIRAS ROKTURI

**VEIKALS
EUR**

		<p>BOZZ</p>	<p><i>Dekoratīvā daļa iebūv.maisītājam</i></p>	<p>389250576</p>	<p>74.28</p>	<p>0810023</p>
		<p>BOZZ</p>	<p><i>Iebūvējamā daļa</i></p>	<p>38826 N</p>	<p>71.58</p>	<p>0802041</p>
		<p>BOZZ</p>	<p><i>Dekoratīvā iebūv.daļa v/d maisītājam</i></p>	<p>387160576</p>	<p>141.20</p>	<p>0810022</p>
		<p>BOZZ</p>	<p><i>Iebūvējamā daļa v/d</i></p>	<p>38624 N</p>	<p>149.51</p>	<p>0802068</p>
		<p>BOZZ</p>	<p><i>Bidetta komplekts</i></p>	<p>730420500</p>	<p>42.00</p>	<p>0839048</p>

		ZENTA	<i>Virtuves izlietnes krāns</i>
		389730575	hroms 265.71 0802098
		BINGOSTAR	<i>Virtuves izlietnes krāns</i>
		428030578	305.80 0802076
		BINGOSTAR	<i>Virtuves izlietnes krāns ar izvelkamu dušu</i>
		428510575	333.33 0802081
		SCOPE XL	<i>Virtuves izlietnes krāns</i>
		339300575	124.17 0802100
		L-INE	<i>Virtuves izlietnes krāns</i>
		428140577	175.20 0802097
		BINGO STAR S	<i>Virtuves izlietnes krāns</i>
		468030578	251.70 0802120

JAUCĒJKRĀNI AR DIVIEM ROKTURIEM

VEIKALS

Izlietnes krāns



598

14.54

ORCHIDEA

0101056

Izlietnes krāns no sienas ar "S" izteku vienam ūdenim



18.36

652

ABS

0101188

Izlietnes krāns ar "J" izteku vienam ūdenim



18.36

653 (izteka 16X150)

ABS

0101192

19.93

653.2 (izteka 16X200)

ABS

0101294

Izlietnes krāns ar "U" izteku vienam ūdenim



18.36

654

ABS

0101196

Izlietnes krāns vienam ūdenim



11.11

658

10 cm

ORCHIDEA

0101204

11.80

656

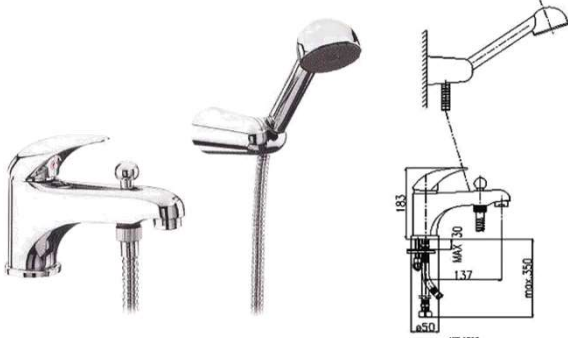
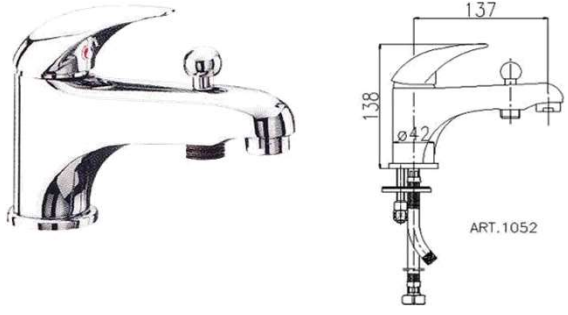
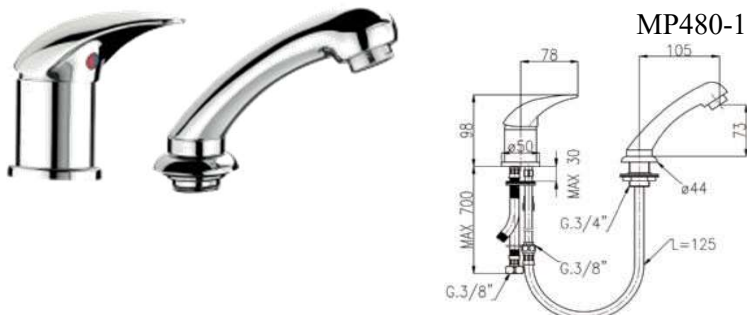
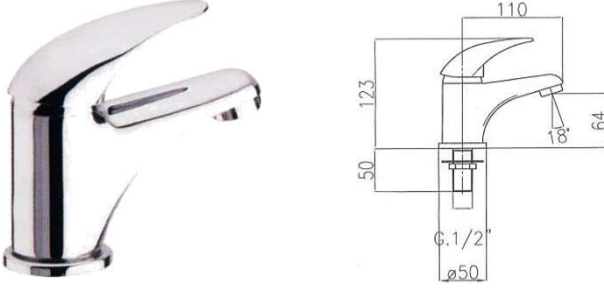
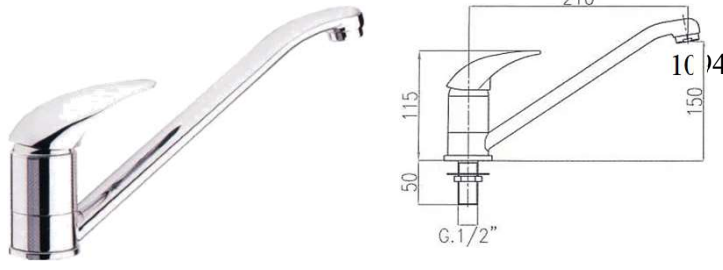
11 cm

ORCHIDEA

0101200

JAUCĒJKRĀNI AR SVIRAS ROKTURI

VEIKALS

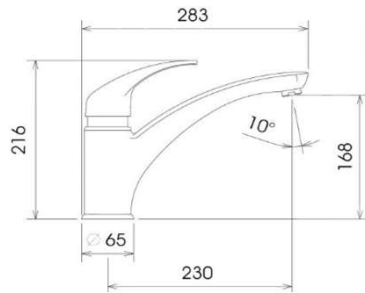
		1050	EUR 89.34 89.34	PANTHER RING	0102093 0102094
<i>Keramiskas izlietnes krāns ar dušu</i>					
		1052	79.15 79.15	PANTHER RING	0102095 0102096
<i>Keramiskas izlietnes krāns ar dušu (bez komplekta)</i>					
		MP480-10	81.24	PANTHER	0102288
<i>Dīvdalīgs krāns, frizieru</i>					
		1092	57.79 65.08	PANTHER RING	0102110 0102111
<i>Izlietnes krāns vienam ūdenim</i>					
			64.33 64.33	PANTHER RING	0102107 0102108
<i>Virtuves izlietnes krāns, vienam ūdenim</i>					

VEIKALS

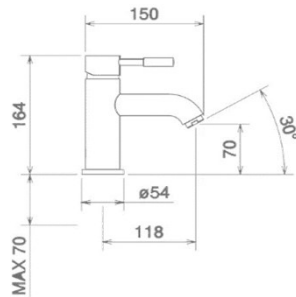
		<p><i>Keramiskās izlietnes krāns</i> NEW PRO 42001 CS HROMS EUR 93.14 0502203</p>
		<p><i>Bidē krāns</i> NEW PRO 42011 CS HROMS 95.22 0502204</p>
		<p>NEW PRO <i>Vannas krāns</i> 42020 S HROMS 129.37 0502205</p>
		<p><i>Dušas krāns</i> NEW PRO 42030 HROMS 108.68 0502208</p>
		<p><i>Zemapmetuma dušas krāns</i> NEW PRO 42050 HROMS 113.85 0502206</p>
		<p><i>Zemapmetuma vannas krāns</i> NEW PRO 42050 R HROMS 168.01 0502207</p>

VEIKALS

Izlietnes krāns

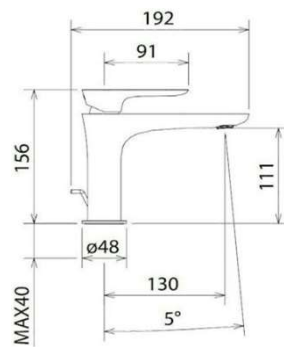


MAXIMA 7100 HR/MATĒTS **201.51** **0503015**



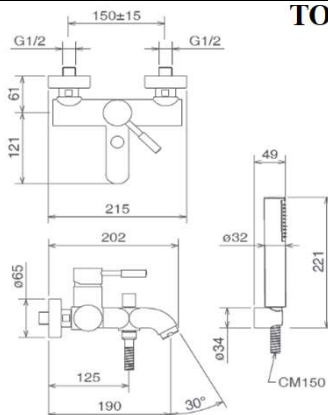
TOWER TECH *Keramiskās izlietnes krāns*

12001 HROMS **136.61** **0502039**



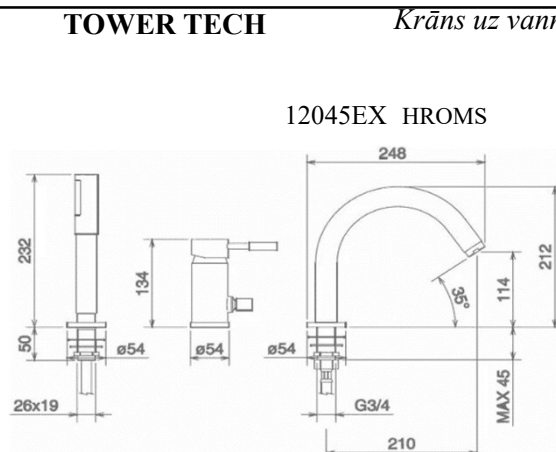
LAGHI *Keramiskās izlietnes krāns (augstais)*

44001 TC HROMS **202.66** **0502086**



TOWER TECH *Vannas krāns ar dušas komplektu*

12019 HROMS **252.79** **0502013**

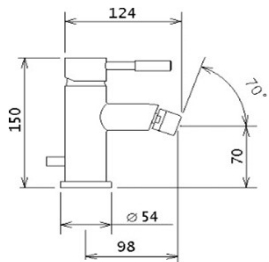


TOWER TECH *Krāns uz vannas malas 3-daļīgs*

12045EX HROMS **326.92** **0502053**

VEIKALS

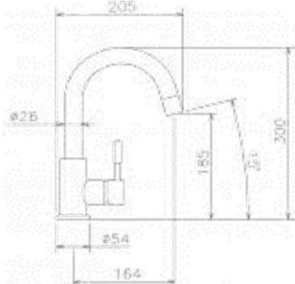
Bidē krāns



TOWER TECH 12011 HROMS

EUR 138.62 0502033

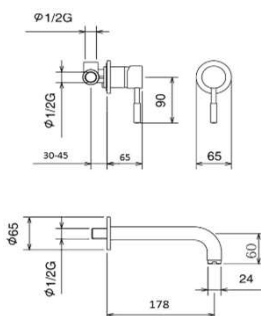
Izlietnes krāns



TOWER TECH 12600/28 HROMS

136.32 0502113

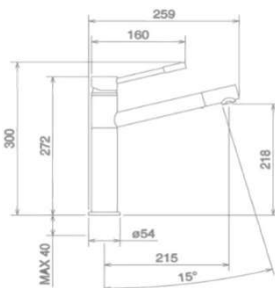
Izlietnes krāns no sienas (divdaļīgs)



TOWER TECH 12200 HROMS

159.08 0502012

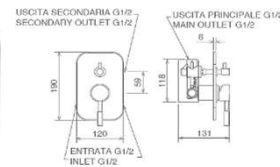
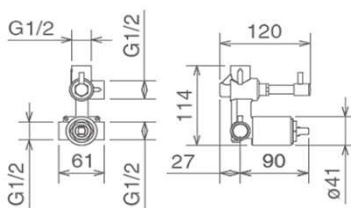
Izlietnes krāns



TOWER TECH 12191 HROMS

206.93 0502044

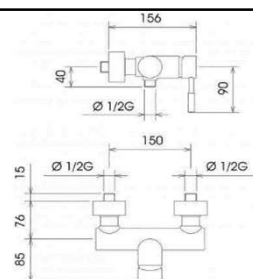
Zemapmetuma dušas krāns ar pārslēdzēju



TOWER TECH 12050/R HROMS

135.61 0502102

Dušas kabīnes krāns



TOWER TECH 12030 HROMS

146.67 0502042

JAUCĒJKRĀNI AR SVIRAS ROKTURI

VEIKALS

	<p style="text-align: right;"><i>Vannas krāns ar dušas komplektu</i></p> <p style="text-align: right;">FS 1135-21 33.42 1102031</p>
	<p style="text-align: right;"><i>Vannas krāns ar dušas komplektu</i></p> <p style="text-align: right;">FS 1135-300 40.81 1102033</p>
	<p style="text-align: right;"><i>Virtuves izlietnes krāns</i></p> <p style="text-align: right;">FS 1135-5 21.39 1102038</p>
	<p style="text-align: right;"><i>Izlietnes krāns (izteka 150 mm)</i></p> <p style="text-align: right;">FS 1135-51 21.39 1102039</p>
	<p style="text-align: right;"><i>Keramiskās izlietnes krāns</i></p> <p style="text-align: right;">FS 1135-6 20.69 1102040</p>
	<p style="text-align: right;"><i>Bidē krāns</i></p> <p style="text-align: right;">FS 1135-8 20.32 1102042</p>
	<p style="text-align: right;"><i>Bidē krāns</i></p> <p style="text-align: right;">FS 1435-8 10.50 1102062</p> <p style="text-align: center; background-color: yellow;">IZPĀRDOŠANA</p>

JAUCĒJKRĀNI AR SVIRAS ROKTURI

VEIKALS

Vannas krāns ar dušas komplektu

FS 9002-300 300 mm **45.52** 1103031

Virtuves izlietnes krāns

FS 9002-5 **22.77** 1103005

Izlietnes krāns (izteka 150 mm)

FS 9002-51 **25.94** 1103006

Izlietnes krāns


FS9002-54 **34.09** 1103057

Bidē krāns

FS 9002-8 **11.00** 1103008

IZPĀRDOŠANA

VEIKALS

		<i>Dozators izlietnei, vienam ūdenim</i>		
	215/N	9-15 sec.	EUR 92.22	0508001
		<i>Virsapmetuma caurteces dozators</i>		
	415/SH	9-15 sec.	74.98	0508021
		<i>Dozators pisuāram</i>		
	420/UR	4-6 sec.	66.51	0508004
	420/SH	9-15 sec.	63.59	0508005
		<i>WC dozators</i>		
	310/B 3/4"	4-5 sec.	76.92	0508019
	310/D 1"	4-5 sec.	81.28	0508020
		<i>WC dozators</i>		
	315 1"	9-10 sec.	173.84	0508015

VEIKALS

Zemapmetuma dozators pisuāram

410/UR
410/SH

4-6 sec.
9-15 sec.

86.22
71.93

0508016
0508018

Zemapmetuma dozators WC

317 1"

4-6 sec.

156.90

0508012

Pisuāra dozators ar trubiņu komplektā

TE855

4-6 sec.

57.11

1008001

Zemapmetuma dozators dušai

TE30

9-15 sec.

69.09

1008002

Virsapmetuma caurteces dozators dušai

TE31


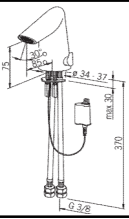

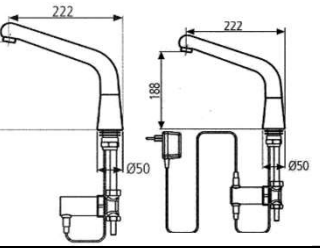

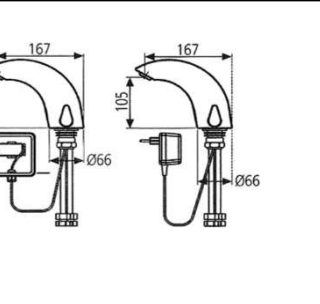

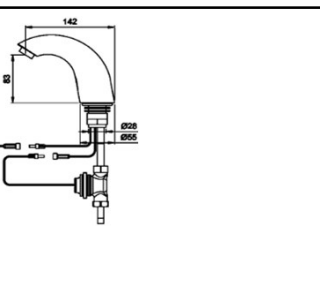

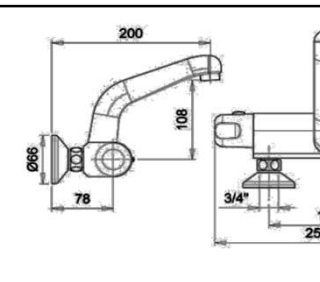

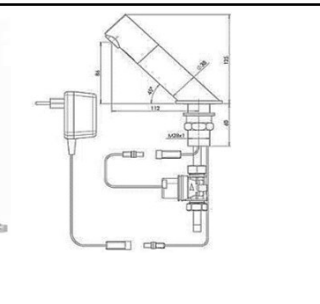

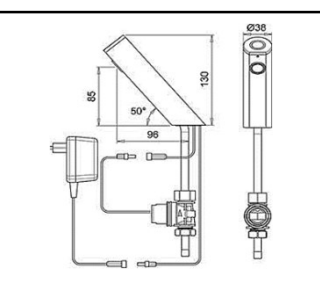
9-15 sec.

60.77

1008003


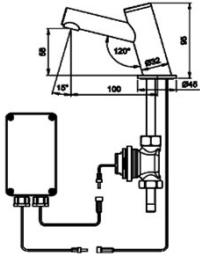

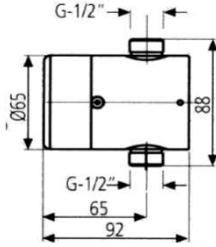

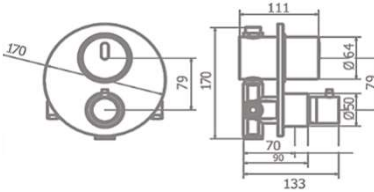

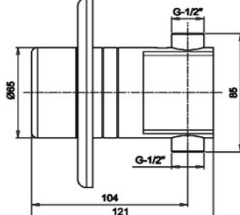

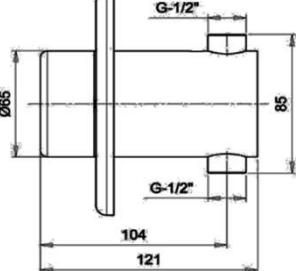
KRĀNI AR SENSORU

**VEIKALS
EUR**











		<p><i>Izlietnes jaucejkrāns ar sensoru</i> (6V baterija montējama pie sienas)</p> <p>ORAS OPTIMA 130103019 218.03</p>
		<p><i>Izlietnes krāns ar grozāmu izteku</i> (9V baterija montējama pie sienas)</p> <p>DOLPHIN LB 1040 T 270160 174.85 1508001</p>
		<p><i>Izlietnes jaucejkrāns</i> (9V baterija krāna korpusā)</p> <p>SWAN 1000 B 252300 179.99 1508003</p>
		<p><i>Izlietnes krāns sagatavotam ūdenim</i> (9V baterija montējama pie sienas)</p> <p>EASY B 246010 146.05 1508011</p>
		<p><i>Izlietnes jaucejkrāns ar termostatu</i> (9V baterija krāna korpusā)</p> <p>APOLLO 1000 T 314200 241.70 1508015</p>
		<p><i>Izlietnes krāns vienam ūdenim</i></p> <p>TUBULAR 350700 146.05 1508020</p>
		<p><i>Izlietnes krāns vienam ūdenim</i></p> <p>TOUCH 225500 120.34 1508021</p>

KRĀNI AR SENSORU












VEIKALS
EUR





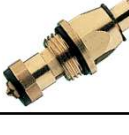







		<p><i>Izlietnes krāns sajauktam ūdenim ar dozātoru</i></p> <p>PERFECT TIME B</p>	<p>220100 87.42 1508014 (9V baterija montējama pie sienas)</p>
		<p><i>Caurplūdes krāns dušai, sajauktam ūdenim</i> (9V baterija krāna korpusā)</p> <p>NEPTUNE 1011 B</p>	<p>610261 113.14 1508005</p>
		<p><i>Iebūvējams dušas krāns ar termostatu</i> (9V baterija krāna korpusā)</p> <p>NEPTUNE 1041 T</p>	<p>612241 262.27 1508019</p>
		<p><i>Iebūvējams dušas krāns ar dozātoru</i> (9V baterija krāna korpusā)</p> <p>PERFECT TIME SH 1031</p>	<p>613700 133.71 1508017</p>
		<p><i>Iebūvējams dušas krāns</i> (9V baterija krāna korpusā)</p> <p>NEPTUNE 1031</p>	<p>613200 149.14 1508013</p>
		<p><i>Pisuāra krāns</i> (9V baterija krāna korpusā)</p> <p>JUPITER 1031</p>	<p>134510 159.42 1508012</p>

VEIKALS

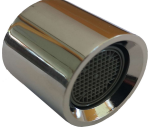










	TB1C				<i>Pievads pisuāra dozatoram</i> EUR 10.48	0510004
	TB2	14x38		4.73		0566001
	330C-B 330C-D	3/4"x25 1"x30		33.33 36.68		0510008 0510007
	332C-B 332C-D	3/4"x25 1"x30		25.56 26.66		0510012 0510011
	215V	4/6 sec.		38.18		0510013
	410 V 4/6 410 V 10/15	4/6 sec. 10/15 sec.		40.27 40.27		0510002 0510014
	310V	4/5 sec		30.02		0510017
	R11			1.83		0510018
	TE VI	4/6 sec.		34.42		1010001
					<i>Paredzēts art: TE15; TE16; TE53; TE255; TE855</i>	
	TE VI30	10/15 sec.		36.09		1010002
					<i>Paredzēts art: TE30 - TE31</i>	

REZERVES DAĻAS JAUCĒJKRĀNIEM

VEIKALS			
	EUR 19.61	75 605 00-00	Kasetne 35 mm (KLUDI) 0810040
	11.19	1130	Kasetne 35 mm 0110103
	11.19 7.07	1140 1140 SEDAL	Kasetne 35 mm 0110104 7110085
	7.14	1130 SEDAL	Kasetne 35 mm (SEDAL) 7110056
	9.79	0200 SEDAL	Kasetne 40 mm (SEDAL) 7110057
	14.69	0201	Kasetne 40 mm 0110107
	14.69	0200	Kasetne 40 mm 0110121
	4.41 4.41	FC1101/35 FC1101/40	Kasetne (Ķīna) 1110031 1110037
	4.41 4.41	FC1002/35 FC1002/40	Kasetne (Ķīna) 1110030 1110034
	12.96	SQ200/15	Kasetne 25 mm 0110203
	23.94	FC1962/35	Kasetne 35 mm 7110068

















VEIKALS			
	EUR 9.75	ST115	Kasetne 40 mm STSR 7110081
	3.57	671 1/2"	Krāna ventilis ar divām vītņēm (Itālija) 0110010
	3.37	671-E 1/2"	Krāna ventilis (Itālija) 0110086
	8.16 3.92	058 RMG058	Krāna ventilis ar keramiskiem diskem 1/2" 0110012 1/2" 7110005
	2.43 0.68	672 FC2102	Krāna ventilis 3/8" 0110011 3/8" 1110025
	13.00	FXP0093	Stiprinājuma komplekts izlietnes krānam ar caurplūdi 1110043 krāniem MG2056 un MG2057
	4.54	FXP0092	Stiprinājuma komplekts izlietnes krānam 7110014
	3.36	0114/A	Stiprinājuma komplekts izlietnes krānam 0110035
	6.93 5.78	0115/A 70 mm 0116/A 110 mm	Stiprinājuma komplekts izlietnes krānam (5E) 0110159 0110165
	1.60	FXP0090	Stiprinājuma komplekts izlietnes krānam 1110024
	1.60	FXP0091	Stiprinājuma komplekts izlietnes krānam 1110011
	1.42	MGREZ VĪTNE	Stiprinājuma uzgrieznis 7110100

REZERVES DAĻAS JAUCĒJKRĀNIEM

	<i>Sietišs krānam ar iekšējo vītņi (2053)</i>	5.74	RMG2053	7110092
	<i>Sietišs krānam ar ārējo vītņi</i>	3.97	508 SLC 24x1	2010008
	<i>Sietišs krānam ar iekšējo vītņi</i>	3.97	512 SLC 22x1	2010007
	<i>Sietišs krānam ar ārējo vītņi "Coin Slot"</i>	2.23	508 NP 24x1	2010006
	<i>Sietišs krānam ar iekšējo vītņi</i>	1.07	512 PL 22x1	7110069
	512 ECO <i>Sietišs krānam ar iekšējo vītņi</i>	4.32 4.32 2.36 2.36	4.5 l/min 22x1 6 l/min 22x1 8 l/min 22x1 10 l/min 22x1	2110017 2110016 2110015 2110014
	<i>Sietišs krānam ar ārējo vītņi</i>	1.07	508 PL 24x1	7110055
	508 ECO <i>Sietišs krānam ar ārējo vītņi</i>	4.13 4.13 4.13	4.5 l/min 24x1 6 l/min 24x1 8 l/min 24x1	2110011 2110010 2110009
	<i>Sietišs ar ārējo vītņi</i>	2.31 1.81 6.93 6.50 5.89	506 (hroms) 28x1 508 (hroms) 24x1 506 (zelts) 28x1 508 (zelts) 24x1 508 (13100) 18x1	0110141 0110100 0110201 0110199 0110185
	<i>Sietišs ar iekšējo vītņi</i>	1.77 5.97 5.38 7.34	512 (hroms) 22x1 512 (zelts) 22x1 512 (13600) 20x1 512 (13700) 16x1	0110101 0110200 0110186 0110190
	<i>Sietišs bidē krānam</i>	7.51 16.23 12.52	510 (hroms) 510 (zelts) 510 (futurist) 18x1	0110131 0110136 0110187

	<i>Sietišs krānam ar LED apgaismojumu</i> FX508 LED	6.05	4810016
IZPĀRDOŠANA			
	505 <i>Pretvārsts krānam</i>	2.71	7110015
	507 ECO <i>Ūdens plūsmas reduktors</i>	6 l/min 6.54 8 l/min 2.06	2110007 2110020
	1335ADAMAS <i>Adapteris aeratoram M24x1/2</i>	2.70	7410000
	1335ADAFEM <i>Adapteris aeratoram F22x1/2</i>	2.70	7410001
	<i>Krāna uzgalis ar diviem režīmiem</i>	03630 NEW 5.45	2010005
	<i>Krāna uzgalis ar diviem režīmiem</i>	03630 3.02 Universāls	2010003
	RMG2056/D <i>Duša jaucējkrānam MG2056</i>	15.00	4839048
	RMG2057/D <i>Duša jaucējkrānam MG2057</i>	13.00	4839049
	<i>Dušas stienis (stacionārais)</i>	590 12.38	0110001
			<i>Garums 115 cm</i>
	<i>Sietišs stacionārajam dušas stienim</i>	740 3.40	0110049

REZERVES DAĻAS JAUCĒJKRĀNIEM










VEIKALS	EUR			VEIKALS	EUR		
	1.86	672/10	0110013		9.96	1108	35 mm 0110111
	3.06	672/30	0110015		10.29	MGMED	40 mm 7110071
	3.19	672/40	0110016		3.86	MG64	35 mm 7110073
	2.88	050	0110033		5.62	MG 008	35 mm 7110049
	1.13	052	0110034				
	4.23	RMG10	7110003		5.62	MG 049	35 mm 7110050
	0.51	FDH0039	1110021		7.80	MG 049	40 mm 7110054
	4.87	RMG11	7110009				
	7.80	MG 035	40 mm 7110053				
	9.96	1100	35 mm 0110102				

REZERVES DAĻAS JAUCĒJKRĀNIEM

VEIKALS

VEIKALS

<i>Ekscentru uzgriežņi komplektā</i>			
	Labais R10251	EUR 6.60	0110155
	Kreisais MG R10251	4.10	7110065
<i>Uzgrieznis</i>			
	R11851	7.95	0110181
<i>Dekoratīvais riņķis 62 sērijas jaucējkrāniem</i>			
	RMG62	0.94	7110016
<i>Pārslēdzējs vannas krānam</i>			
	0518/A (met)	5.11	0110054
<i>Pārslēdzēja komplekts krānam MG2134</i>			
	REZMG213	9.85	7110045
<i>Pārslēdzēja mehānisms vannas krānam</i>			
	0519	4.38	0110048
<i>Pārslēdzēja mehānisms vannas krānam</i>			
	0520	2.46	0110074
<i>Pārslēdzēja mehānisms</i>			
	1050-MEH	17.16	0110137
<i>Pārslēdzēja mehānisms</i>			
	1050-MEH F	7.07	1110040







<i>Pārslēdzēja mehānisms</i>			
	1064-MEH	8.46	0110158
<i>Pārslēdzēja mehānisms Futurist sērijai</i>			
	13001	11.48	0110195
<i>Ekscentri (komplekts vienam krānam)</i>			
	655/40 (HR)	4.53	0110060
	655/40 (mat)	4.99	0110170
<i>Ekscentri (komplekts vienam krānam)</i>			
	655/50	EUR 5.03	0110032
<i>Ekscentri (komplekts vienam krānam)</i>			
	655/60	6.42	7110007
	komplekta svars: 181 gr		
	655/92	10.33	7110046
	komplekta svars: 261 gr		
<i>Ekscentri uz vannas</i>			
	FTP0052	34.31	1110036
<i>Ekscentri garie (60 mm)</i>			
	655/55	25.84	0110076
<i>Sienas stiprinājuma pagarinājums 2090/2095 garums 7 CM vecajam modelim</i>			
	REZMG2295	4.17	7110102
<i>Dušas stieņa FX250, apakšējā daļa garums 100 CM vecajam modelim</i>			
	FX250	28.27	4830014




REZERVES DAĻAS JAUCĒJKRĀNIEM



VEIKALS

VEIKALS

655/J		<i>Izteka izlietnes krānam</i>	
EUR			
	14x140	5.33	0110045
	14x162	7.19	0110061
	18x150	6.12	0110004
	18x200	7.66	0110005
	RMG061 18x150	7.42	7110008
655/S		<i>Izteka "S" veida</i>	
	14x160	5.59	0110044
	18x200	6.12	0110006
	18x300	12.58	0110007
<i>Izteka "S" veida</i>			
	RMG060 F (18x300)	5.61	1110009
655/U		<i>Izteka "U" veida</i>	
	18x200	6.12	0110008
075		<i>Izteka "S" veida, liekta</i>	
	200 mm	26.88	0110123
	200 F	8.63	1110033
	300 F	12.22	1110032
	200 NT	5.45	7110079
	300 NT	5.68	7110078
404/C		<i>Izteka no izlietnes (apaļa)</i>	
		18.77	0510003

068		<i>Izteka "S" veida, plakana</i>	
	150 mm	16.63	0110132
	200 mm	21.48	0110097
	300 mm	23.64	0110098
	200 F	8.63	1110027
	300 F	12.23	1110028
	200 NT	5.45	7110076
	300 NT	5.68	7110077
	350 NT	7.81	7110091
055		<i>Izteka jaucējkrānam 3255, 6255</i>	
	HROMS 233x165xØ24	10.88	7110067
RMG02555 IZT		<i>Izteka jaucējkrānam MG2555</i>	
	HROMS 210x180xØ24	14.69	7110090
070		<i>Izteka izlietnes krānam</i>	
	MATĒTS 180x130xØ25	9.98	0110189
			

VEIKALS

VEIKALS

 <p>FX11102 Dušas klausule 1 režīmi (8*10 cm) HROMĒTA 9.70 4839035</p> <p><i>Fiksēts ūdens plūsmas režīms</i></p>	 <p>FX11113 Klausule krānam uz vannas malas (12.5*7 cm) BALTS/HROMS 9.72 4839002</p> <p>Iepakojums: maisiņš</p>
 <p>FX11104 Dušas klausule 1 režīmi (3.6*8.5 cm) HROMĒTA 8.50 4839036</p> <p><i>Fiksēts ūdens plūsmas režīms</i></p>	<p>FX12202 Dušas klausule Ø6.5 cm HROMĒTA 2.39 4839011</p>
 <p>FX11105 Dušas klausule 1 režīmi Ø10.5 cm BALTS/HROMS 9.99 4839037</p> <p><i>Fiksēts ūdens plūsmas režīms</i></p>	<p>FX2033 Ø6.5 cm (bez blistera) HROMĒTA 3.96 1139002</p> <p>Vecais kods: FX12033</p>
 <p>FX11106 Dušas klausule 1 režīmi Ø10 cm HROMĒTA 11.62 4839040</p> <p><i>Šīs dušas uzbūve nodrošina ūdens sajaukšanu ar gaisu, kā rezultātā patērētais ūdens daudzums tiek ietaupīts līdz 30%.</i></p>	<p>FX12204 Dušas klausule Ø8 cm HROMĒTA 4.35 4839017</p>
 <p>FX31103 Dušas klausule 3 režīmi (12*12 cm) BALTS/HROMS 17.90 4839038</p> <p><i>Tai skaitā kaskādes režīms. Režīmi tiek pārslēgti ar ergonomisku pogu.</i></p>	<p>FX51154 Dušas klausule 3 režīmi Ø9.5 cm HROMĒTA 7.26 4839025</p>
 <p>FX31104 Dušas klausule 3 režīmi Ø10 cm HROMĒTA 12.39 4839039</p> <p><i>Šīs dušas uzbūve nodrošina ūdens sajaukšanu ar gaisu, kā rezultātā patērētais ūdens daudzums tiek ietaupīts līdz 30%.</i></p>	<p>FX32132 Dušas klausule 2 režīmi Ø8 cm HROMĒTA 4.50 4839010</p>
 <p>FX31102 Dušas klausule 3 režīmi Ø12 cm HROMĒTA 12.08 4839034</p>	<p>FX32233 Dušas klausule 3 režīmi Ø9.5 cm HROMĒTA 5.69 4839021</p>








VEIKALS






 <p>Vecais kods: 51573</p>	<p><i>Dušas klausule 5 režīmi</i> FX51153 Ø7.5 cm HROMĒTA 6.31 4839001</p>	<p><i>Dušas galva</i> FX11201 Diametrs 100 mm HROMĒTA 6.90 4839046</p>
 <p>Vecais kods: FX1127</p>	<p><i>Klausule virtuves izlietnes krānam</i> FX11205 Ø4.8 cm HROMĒTA 6.89 4839007</p>	<p><i>Dušas kalusule ar pievadu</i> FX12202+108 Iepakojums blisteris 6.23 4830009 Rokas duša D6.5 cm Dušas pievads 150 cm</p>
 <p>Vecais kods: FX18107</p>	<p><i>Klausule bidē krānam</i> FX11101 Ø3 cm HROMĒTA 4.45 4839015</p>	<p><i>Dušas kalusule ar pievadu un turētāju</i> FX2033+10815 Iepakojums, kartona blisteris 3.60 4830011 Rokas duša D6.5 cm Dušas pievads 150 cm Stiprinājums FL15 (plastmasa)</p>
	<p><i>Dušas klausule</i> FX11108 Ø10 cm BALTS/HROMS 7.99 4839028</p>	<p><i>Kronšteins dušas galvai</i> FX94000 Misiņa 15 cm 17.02 4839042</p>
	<p><i>Dušas klausule</i> FX11309 (6.5*4.0 cm) HROMĒTA 6.25 4839029</p>	<p>FX2580 <i>Dušas kronšteins</i> Plastmasa HROMĒTA 4.05 4839003</p>
	<p><i>Dušas galva</i> FX11114 Diametrs 200 mm HROMĒTA 20.88 4839024</p>	<p>FL15 <i>Dušas kronšteins</i> bez iepakojuma Plastmasa HROMĒTA 1.56 7139000</p>
 <p>Vecais kods: FX1695</p>	<p><i>Dušas galva</i> FX1546 Diametrs 80 mm HROMĒTA 6.02 4839018</p>	<p><i>Dušas kronšteins (plastmasa)</i> FX2582 2.95 4839005</p> <p><i>Dušas kronšteins (metāla)</i> FX2583 17.02 4839023</p>
	<p><i>Dušas galva</i> FX11200 Diametrs 100 mm HROMĒTA 6.32 4839045</p>	<p>FX2584 <i>Dušas kronšteins</i> Plastmasa HROMĒTA 2.39 4839022</p>












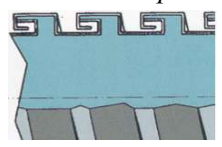
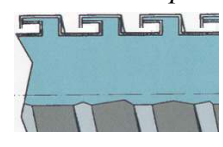
DUŠAS STIENI UN STIRPINĀJUMI

VEIKALS

VEIKALS




	<i>Dušas pievads, sudrabots PVC</i> 105-MG 170 cm 11.25 4810009 <i>HROMĒTS</i>
	<i>Dubultā pinuma dušas pievads</i> 106-MG 80 cm 5.60 4810017 150 cm 6.55 4810001 200 cm 7.79 4810002 <i>HROMĒTS</i>
	<i>Dušas pievads</i> 108-MG 150 cm 3.60 4810011 200 cm 4.47 4810012 <i>HROMĒTS</i>
	<i>Dušas pievads, elastīgais</i> 109-MG 150 cm 9.10 4810010 <i>170-220 cm HROMĒTS</i>
	<i>Dušas pievads Anti-Twist</i> 111-MG 150 cm 7.32 4810006 <i>HROMĒTS</i>
	<i>Dušas pievads jaucējkrānam MG2059</i> RMG2059 50 cm 9.18 7110042 <i>Neilona pinums</i>
	<i>Dušas stienis komplektā</i> FX31104+255 36.45 4830015 <i>3 režīmi HROMĒTS</i> Rokas duša Ø10 cm Dušas pievads 150 cm Stienis pa centriem 52 cm









	<i>Dušas stienis komplektā melns</i> FX31105+259 49.44 4830020 Rokas duša Ø11.5 cm Dušas pievads 150 cm Stienis pa centriem 55 cm
	<i>Dušas stienis komplektā</i> FX32233+252 24.04 4830003 <i>HROMĒTS</i> Rokas duša Ø9.5 cm Dušas pievads 150 cm Stienis pa centriem 52 cm Vecais kods: 2017+252
	<i>Dušas stienis komplektā</i> FX12202+253 18.81 4830004 <i>HROMĒTS</i> Rokas duša Ø6.5 cm Dušas pievads 150 cm Stienis pa centriem 54 cm Vana kods: 2033+253
	<i>Dušas stienis 18 mm</i> FX253 11.02 4830006 <i>HROMĒTS</i> Stienis pa centriem 54 cm
	<i>Dušas stienis 22 mm</i> FX254 17.99 4830013 <i>HROMĒTS</i> Stienis pa centriem 60 cm

	<p>01001 (200) BL <i>Dubultais pinums ar konusu, hromēts</i></p> <p>01001 (200) <i>Dubultais pinums ar konusu, hromēts</i></p> <p>01001 (150) BL <i>Dubultais pinums ar konusu, ar vienu metrisko vītņi, hromēts</i></p>	<p>FLEXTON, ITĀLIJA</p> <p>6.80 0410040</p> <p>8.50 0410005</p> <p>5.40 0410038</p>
	<p>01001 (150) <i>Dubultā pinuma ar konusu, 1/2"x3/8"IV, hromēts</i></p> <p>01001 (200) <i>Dubultā pinuma ar konusu, 1/2"x3/8"IV, hromēts</i></p>	<p>FLEXTON, ITĀLIJA</p> <p>28.20 0410021</p> <p>34.10 0410022</p>
	<p>01003 (150) <i>Dubultā pinuma virtuves krānam, 1/2"x3/8"ĀV, hromēts</i></p> <p>01003 (200) <i>Dubultā pinuma virtuves krānam, 1/2"x3/8"ĀV, hromēts</i></p>	<p>FLEXTON, ITĀLIJA</p> <p>18.07 0410018</p> <p>26.73 0410019</p>
	<p>01006 (200) <i>Dubultā pinuma, hromēts</i></p>	<p>FLEXTON, ITĀLIJA</p> <p>6.20 0410012</p>
	<p>01010 (200) <i>Vienkāršais pinums ar konusu, hromēts</i></p>	<p>FLEXTON, ITĀLIJA</p> <p>6.10 0410015</p>
	<p>1014 (150) <i>Vienkāršais pinums, hromēts</i></p> <p>01014 (150) BL <i>Vienkāršais pinums ar vienu metrisko vītņi, hromēts</i></p> <p>1014 (150) <i>Vienkāršais pinums ar divām metriskām vītņēm, hromēts</i></p> <p>01014 (150) BL <i>Vienkāršais pinums ar divām metriskām vītņēm, hromēts</i></p> <p>01014 (200) <i>Vienkāršais pinums, hromēts</i></p>	<p>FLEXTON, ITĀLIJA</p> <p>4.00 0410013</p> <p>3.90 0410036</p> <p>3.70 0410011</p> <p>4.10 0410035</p> <p>5.80 0410016</p>
	<p>6105505-00 (125) <i>Plastikāta, ar diviem konusiem, "Logoflex"</i></p> <p>6105605-00 (160) <i>Plastikāta, ar diviem konusiem, "Logoflex"</i></p> <p>6105705-00 (200) <i>Plastikāta, ar diviem konusiem, "Logoflex"</i></p>	<p>KLUDI, VĀCIJA</p> <p>14.64 0810010</p> <p>9.48 0810001</p> <p>11.29 0810013</p>
	<p>0407420 (160-200) <i>Dubultā pinuma ar grozāmu konusu, elastīgs, hromēts</i></p>	<p>NICOLL, FRANCIJA</p> <p>40.90 1210002</p>
	<p>108 (150) <i>Vienkāršais pinums, hromēts</i></p>	<p>FLORY, ĶĪNA</p> <p>3.47 1110004</p>
	<p>710/10 (150) <i>PVC balts</i></p>	<p>FLEXTON, ITĀLIJA</p> <p>5.72 0110077</p>
<p>"BL" iepakojums ar kartona maliņu</p> 	<p>Dubultais pinums</p> 	<p>Vienkāršais pinums</p> 

		VEIKALS				VEIKALS	
	00054 Hroms	9.99	0439022	<i>Twister - 3</i> D6 cm		00H59 Hroms	244.44 0439033 <i>NORMALE</i> D20 cm
	00098 Hroms	9.99	0439004	<i>Cobra - 1 Big</i> D6.5 cm		00H91 Hroms	133.11 0439054 <i>LIBERTY</i> D20 cm
	00511 Balts/hroms	36.72	0439085	<i>Liberty</i> D7 cm	EUR	00H99 Hroms	256.41 0439051 <i>LIBERTY</i> D30 cm
	RU1070 Hroms	5.49	0139030	D2.5 cm		00H74 Hroms	35.57 0439052 <i>PRISMA PIU</i> D20 cm
	D.5.10 Hroms	24.06	0139035	<i>Frizieru</i> D2.5 cm			<i>Dušas galva (misina), kvadrāts</i> FX19139 19 cm
	00S29 Hroms	12.43	0439086	<i>NORMALE</i> D6.2 cm			<i>Kronšteins dušas galvai</i> 8200 20 cm
	740 Hroms	3.40	0110049	D9 cm			<i>Kronšteins dušas galvai</i> 90000 20 cm
							<i>Kronšteins dušas galvai</i> FX94000 15 cm

VEIKALS

	<i>Kronšteins dušas galvai</i> 9F000 30 cm	32.19	0439058
	<i>Kronšteins dušas galvai (vertikālais)</i> 73000 30 cm	119.37	0430099
	<i>Kronšteins dušas galvai</i> 7G000 30 cm 35 cm 40 cm	42.46 45.90 48.19	0439083 0439084 0439048
	<i>Kronšteins dušas galvai (vertikālais)</i> 9G000 20 cm 30 cm	54.36 58.52	0439066 0439059
	2580 <i>Dušas stiprinājums plastmasa</i> HROMS	4.05	0139007
	<i>Dušas stiprinājums ar caurplūdi</i> F4000 HROMS	13.55	0439044
	<i>Dušas izvads ar klausules turētāju</i> F5000 1/2"x1/2"	24.06	0439049

	<i>Dušas izvads ar klausules turētāju</i> F7000 1/2"x1/2"	45.18	0439080
	<i>Dušas izvads ar klausules turētāju</i> 6054705-00 1/2"x1/2"	22.57	0839034
	<i>Izvads dušas klausulei, 30°</i> 02028 1/2"x1/2"	6.32	0439075
	<i>Dušas klausules turētājs stienim</i> 1402SCUN01	5.60	7439000
	<i>Dušas pārslēdzējs</i> MG589	9.92	7110004
	<i>Mehānisms pārslēdzējam MG-589</i> MG589-MEH	3.16	7110075
	<i>Dušas pārslēdzējs</i> 589F	5.78	1110007
	<i>Dušas pārslēdzējs</i> 823-122-00	8.99	0710006

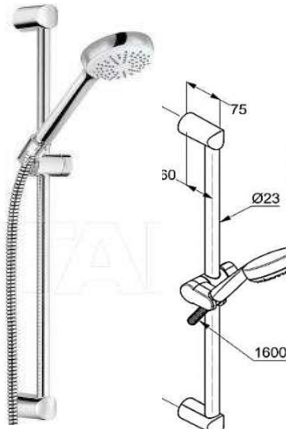
VEIKALS
EUR

Izpārdošanas vairumcena ar PVN

VEIKALS
EUR

Dušas komplekts "LOGO 1S"
KLUDI

6816005-00 **72.25** **0830045**




Rokas duša D9 cm
 Dušas pievads 150 cm
 Stienis 62 cm

Dušas komplekts "Bali" Ø18-Twister happy
Hroms/zelts


32053 **36.00** **0430086**

Rokas duša D6 cm
 Dušas pievads 150 cm
 Stienis 60 cm



Dušas komplekts "ZENTA"
KLUDI

6063005-00 **80.74** **0830031**




Rokas duša D8.4 cm
 Dušas pievads 150 cm
 Stienis 60cm

Dušas komplekts "Onda reflex" Ø25-Space age 80 cm

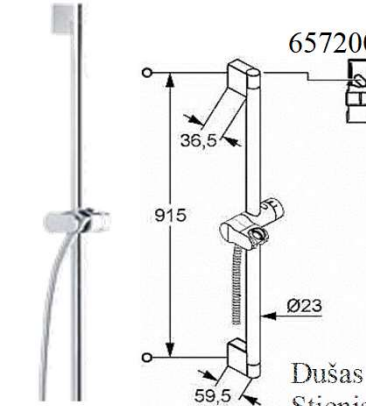
2B043 **48.00** **0430088**

Rokas duša D6 cm
 Dušas pievads 150 cm
 Stienis 80 cm
 Starp centriem 15.5 cm



Dušas stienis ar pievadu "A-QA" 90 CM

6572005-00 **88.07** **0830038**




Dušas pievads 150 cm
 Stienis 90 cm

Dušas komplekts "Hawaii" Ø25-PASCAL
EUR

26239B10 **15.00** **0430067**

Dušas pievads 150 cm
 Stienis 60 cm



*Dušas stienis
 komplektā ar ziepju turētāju*

15000 **18.99** **0430009**


Stienis plakans 60 cm



Dušas komplekts "Hawaii" Ø25-BIMBO

26225B30 **20.00** **0430066**

Dušas pievads 150 cm
 Stienis 60 cm



Izlietnes sifoni

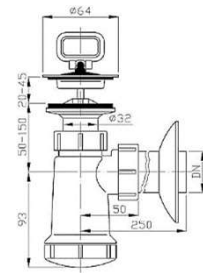
		<i>Izlietnes sifons</i>			
		1,1/4"x32	0201284	4.20	1250049
		1,1/4"x40	0201285	4.20	1250050
		1,1/2"x40	0224287	4.12	1250052
<i>Izlietnes sifons</i>					
		1,1/4"x32	0201270	3.08	1250001
		1,1/2"x40	0224193	3.18	1250010
				Sifons izlietnei ar noteci	
		1,1/4"x32x65	0201247	8.37	1250058
<i>Izlietnes sifons</i>					
		1,1/4"x32	0202014	5.94	1250002
				EASYPHON	
		1,1/2"x40	0202075	7.27	1250019
<i>Izlietnes sifons ar noteci</i>					
		EASYPHON			
		1,1/4"x32	0202122	10.22	1250025
		1,1/4"x40	0202138	10.24	1250015
		1,1/2"x40	0224217	10.58	1250040
<i>Izlietnes sifons ar veļas mašīnas pieslēgumu</i>					
		1,1/4"x1,1/4"	0201302	5.97	1250044
		1,1/4"x1,1/2"	0201303	5.98	1250045
		1,1/2"x1,1/2"	0224360	6.42	1250016
<i>Izlietnes sifons ar veļas mašīnas pieslēgumu un noteci</i>					
		1,1/2"x65	0202071	9.93	1250046

Izlietnes sifoni

VEIKALS

EUR

Izlietnes sifons ar noteci



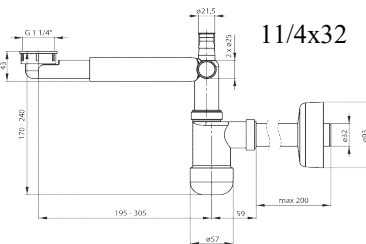
1.1/4"x32
 1.1/4"x40

EU0N332
 EU0N342

4.86
4.86

6850043
6850044

*Sifons izlietnei bez noteces
 ar nobīdi (teleskopisku)*



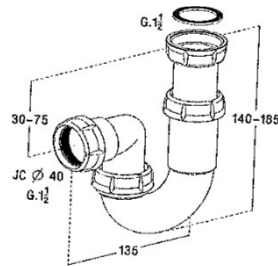
11/4x32

NHC_633K

21.00

8240005

Izlietnes sifons



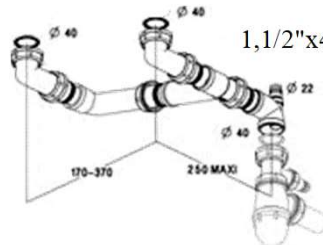
1,1/2"x40

0204460

5.77

1250030

Savienojums dubultai izlietnei ar veļas mašīnas pieslēgumu



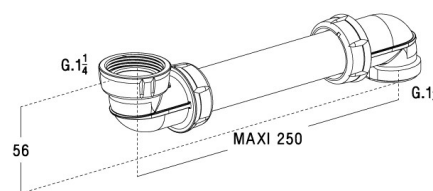
1,1/2"x40

0204981

7.91

1250012

Komplekts sifona pievienošanai ar nobīdi



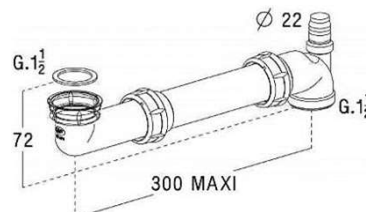
1.1/4"x1/4"

0201011

7.67

1250062

Komplekts sifona pievienošanai ar nobīdi



1.1/2"x1/2"

0204183

6.41

1250061

Sifoni

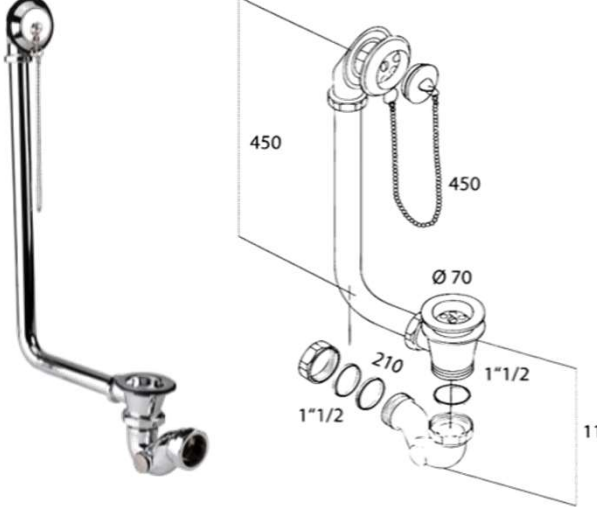
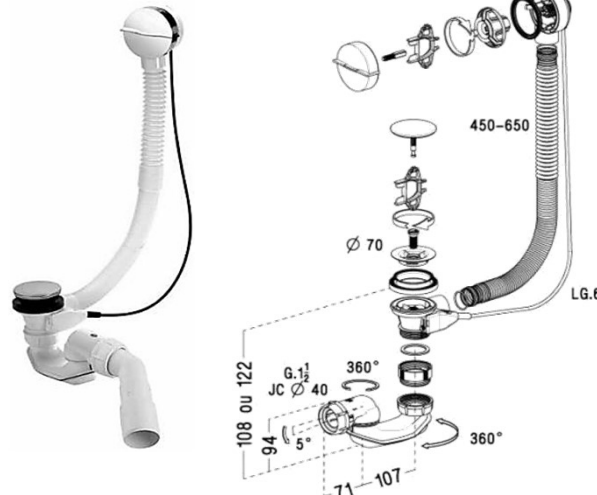


VEIKALS
EUR

		1,1/2"x70 1,1/2"x114 1,1/2"x115 1,1/4' 0201152 1,1/2"x114	Pārplūde metāla izlietnei 0204015 8.37 1250017 0204123 16.52 1250055 Pārplūde metāla izlietnei Ø115 EDVA130 15.35 1250042 Pārplūde keramiskai izlietnei 0201152 9.11 1250043 Pārplūde metāla izlietnei Ø114, universāla 0224506/1 26.05 1250068
		1,1/2"x70	Izlietnes sifons ar pārplūdi Ø70 0204315 11.49 1250018
		1,1/2"x50	Dubultās izlietnes sifons ar veļas mašīnas pieslēgu 33 120 ED70440 23.76 6850013
		1,1/2"x50 1,1/2"x40/50x70	Izlietnes sifons 31 206 EM26451 6.83 6850014 Izlietnes sifons ar noteci ED20451 9.71 6850005
		1,1/2"x40/5C 1,1/2"x40/50x70	Izlietnes sifons ar veļas mašīnas pieslēgu 31 209 EM36451 8.09 6850004 Izlietnes sifons ar veļas mašīnas pieslēgu un noteci ED30451 9.77 6850009

Sifoni vannām

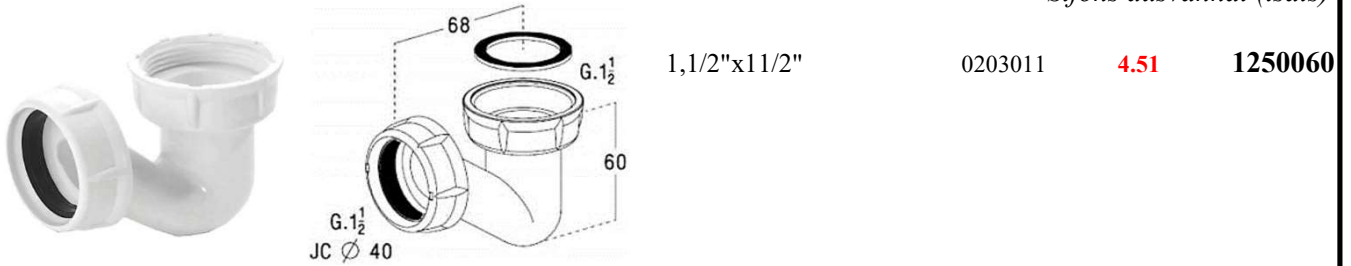
VEIKALS

EUR

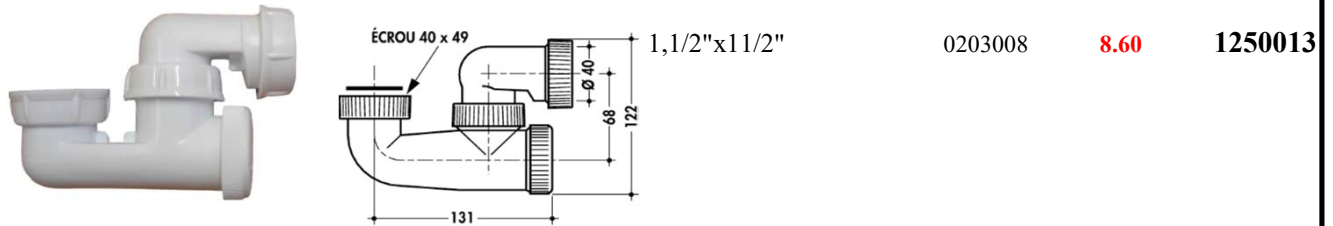
	<p>1,1/2"x40</p>	<p>0505040</p>	<p>164.13</p>	<p>1240004</p>
<p><i>Sifons vannai ar ķēdi (hromēts)</i></p>				
	<p>1,1/2"x40x70</p>	<p>0203617</p>	<p>37.10</p>	<p>1250056</p>
<p><i>Sifons vannai, automātiskais "EASYBAIN"</i> Troses garums 65 cm</p>				
	<p>1,1/2"x40/50</p>	<p>0203562</p>	<p>12.63</p>	<p>1250014</p>
<p><i>Sifons vannai</i></p>				
	<p>1,1/2"x40/50</p>	<p>0203059</p>	<p>8.61</p>	<p>1250032</p>
<p><i>Traps vannas sifonam ar izplūdes cauruli</i></p>				

Sifoni vannām

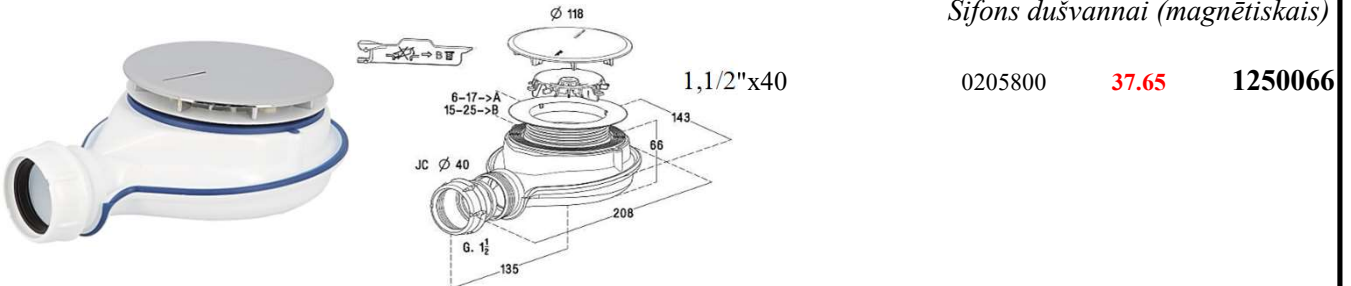
Sifons dušvannai (īsa)



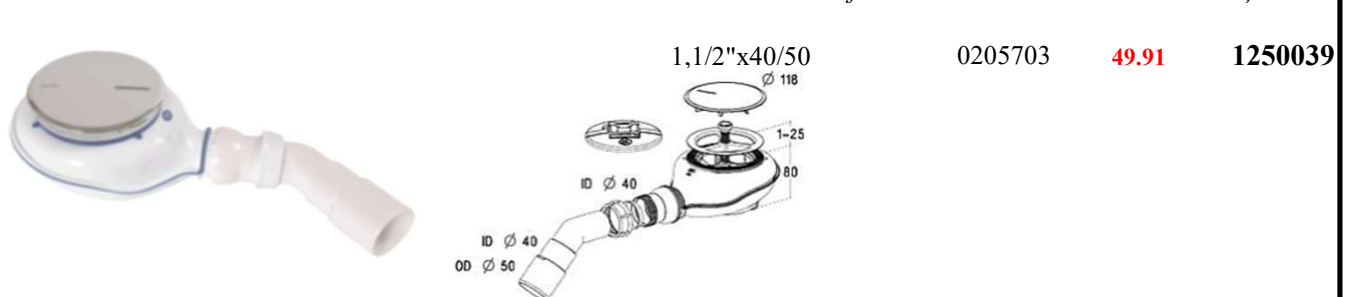
Sifons ar revīziju



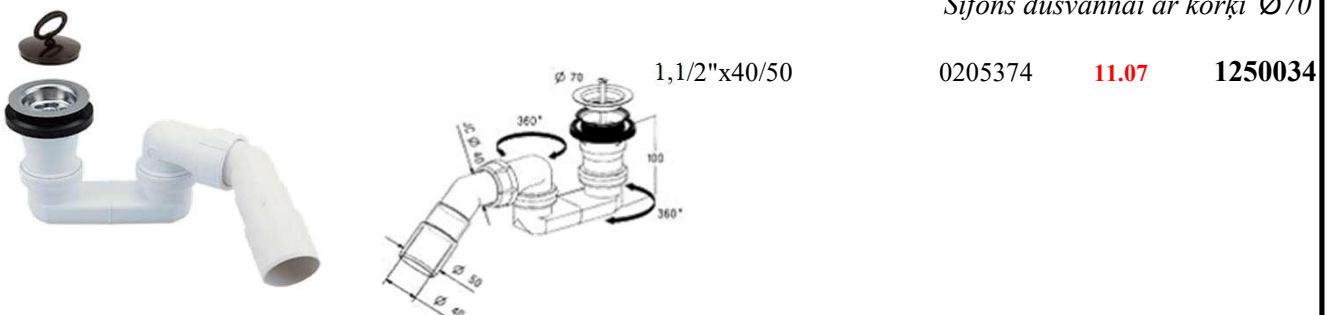
Sifons dušvannai (magnētiskais)



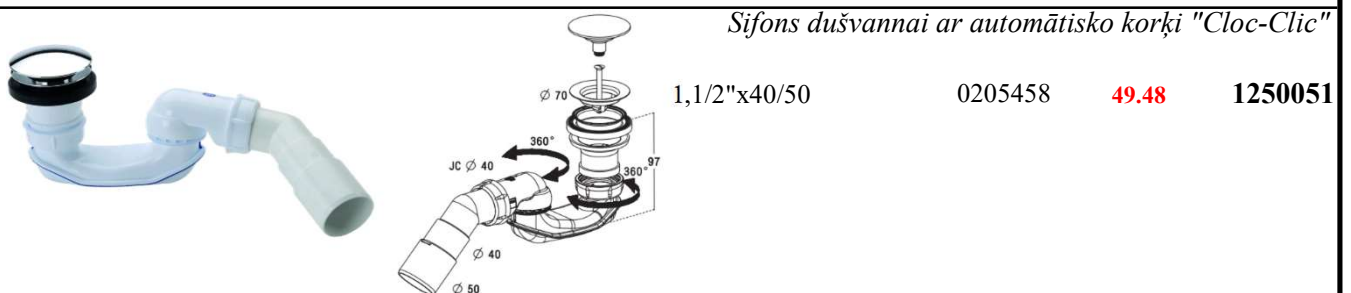
Sifons dušvannai ar dekoratīvo korķi Ø90



Sifons dušvannai ar korķi Ø70




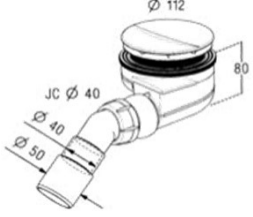

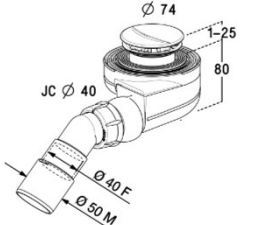

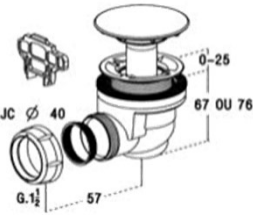

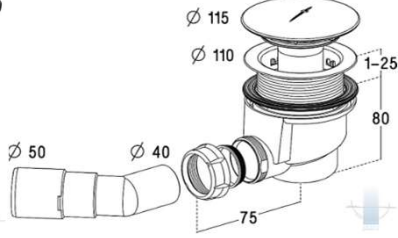

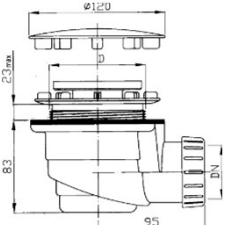

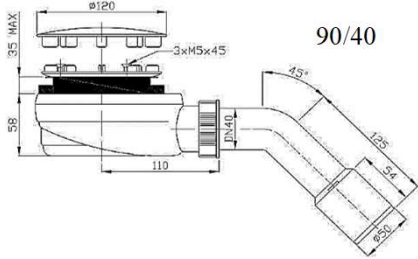

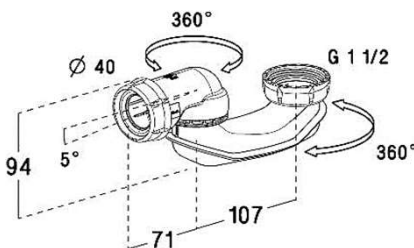
Sifons dušvannai ar automātisko korķi "Cloc-Clic"



Sifoni dušvannām


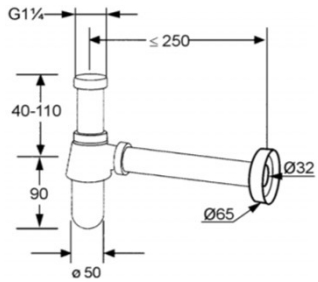

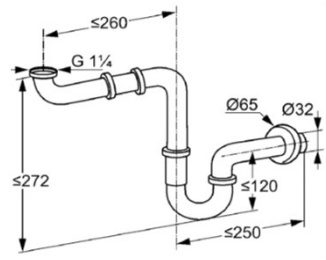

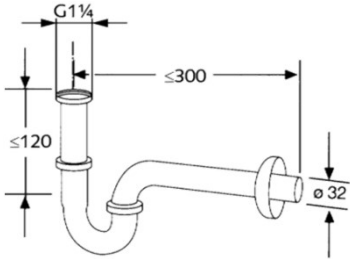

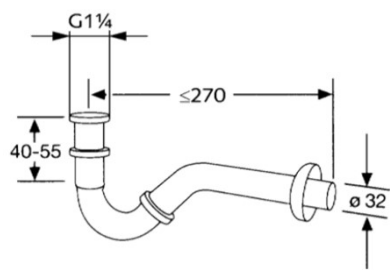

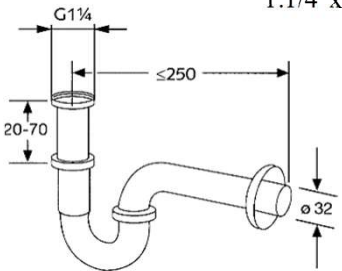
VEIKALS

EUR

		<p>Ø90x40/50</p>	<p><i>Sifons dušvannai ar dekoratīvo korķi ar hromētu ABS korķi Ø 112</i></p> <p>0205240 31.10 1250008</p>
		<p>Ø50-60x40/50</p>	<p><i>Sifons dušvannai ar dekoratīvo korķi Ø74</i></p> <p>0205376 22.61 1250027</p>
		<p>Ø60x1,1/2"</p>	<p><i>Sifons dušvannai ar dekoratīvo korķi ar hromētu ABS korķi Ø 90</i></p> <p>0205301 11.51 1250033</p>
		<p>Ø90x1,1/2"</p>	<p><i>Sifons dušvannai ar dekoratīvo korķi ar hromētu ABS korķi Ø 115</i></p> <p>0205378 19.30 1250071</p>
		<p>Ø90x1,1/2"</p>	<p><i>Sifons dušvannai ar dekoratīvo korķi ar hromētu ABS korķi Ø 120</i></p> <p>EWC0850 18.66 6850007</p>
		<p>90/40</p>	<p><i>Sifons dušas paliktņim, zemaīs</i></p> <p>EWCN942 29.50 6850041</p>
		<p>SIBH208</p>	<p><i>Sifons dušavannai</i></p> <p>13.09 1250064</p>

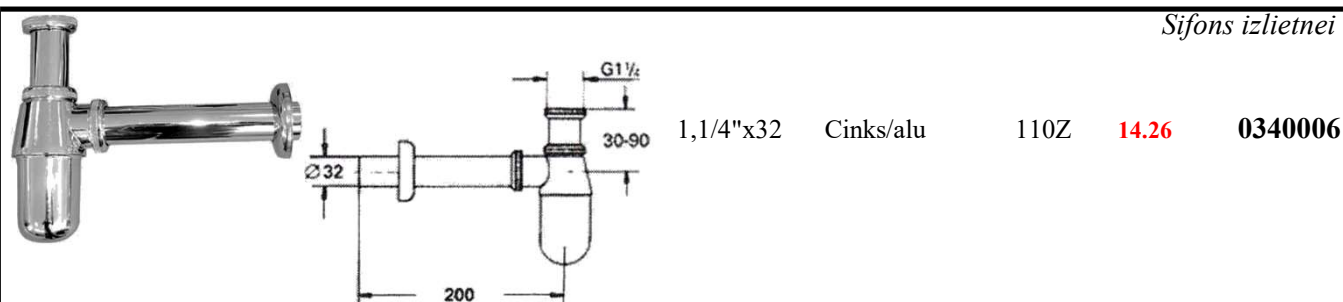
Izlietnes sifoni

**VEIKALS
 EUR**

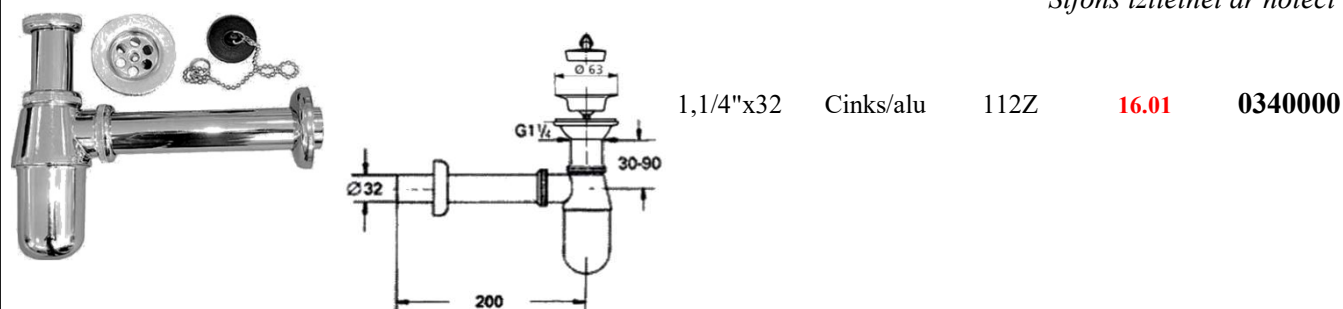
		<i>Sifons izlietnei "KLUDI"</i>				
		1,1/4"x32	HROMS	1010505-00	25.52	0840017
		1,1/4"x32	BALTS	1010536-00	39.22	0840002
		<i>Sifons izlietnei ar nobīdi</i>				
		1,1/4"x32		1025505-00	46.69	0840018
		<i>Sifons izlietnei "KLUDI"</i>				
		1,1/4"x32		1026505-00	26.32	0840016
		<i>Sifons bidē "KLUDI"</i>				
		1,1/4"x32		1031105-00	26.21	0840014
		<i>Sifons izlietnei bez noteces</i>				
		1,1/4"x32	Misiņš	1025005-00	16.48	0840015

Izlietnes sifoni

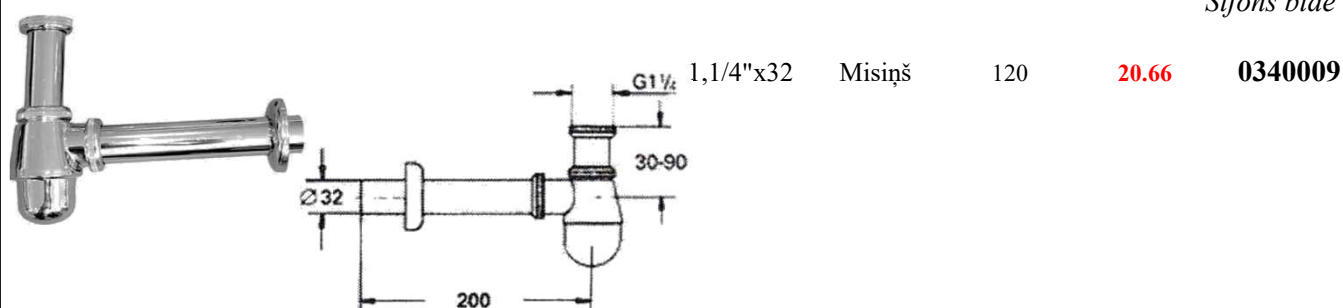
Sifons izlietnei



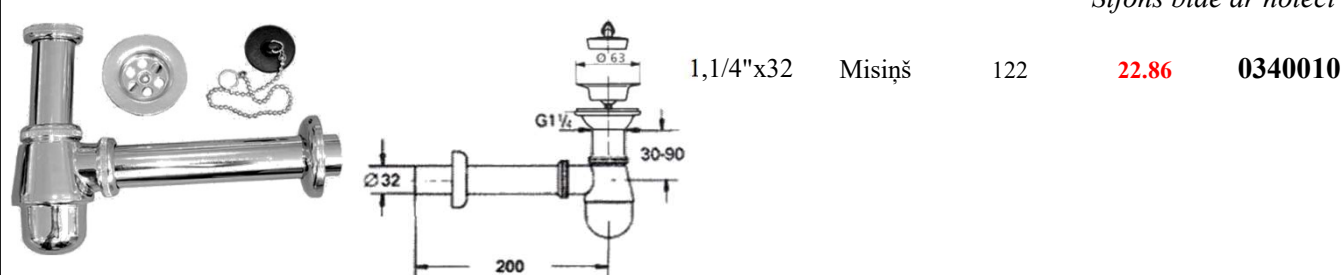
Sifons izlietnei ar noteci



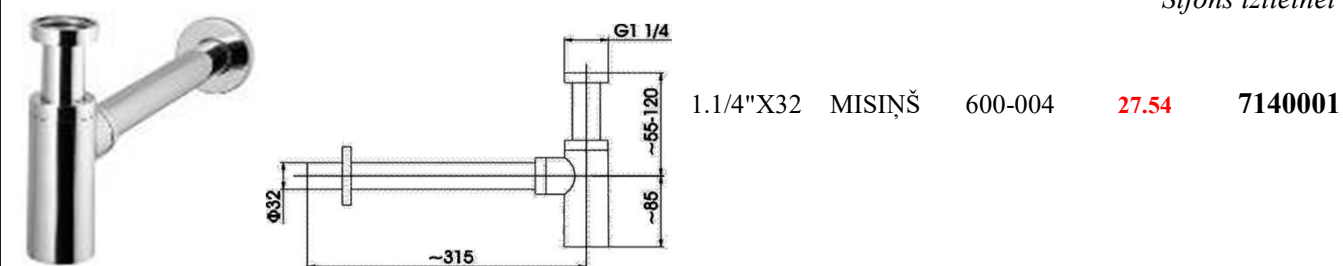
Sifons bidē



Sifons bidē ar noteci



Sifons izlietnei


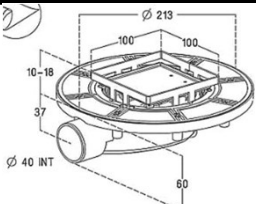

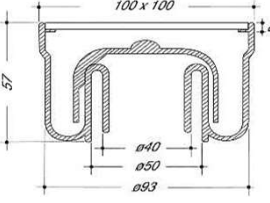



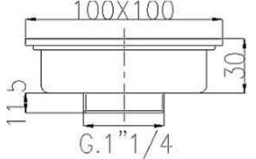

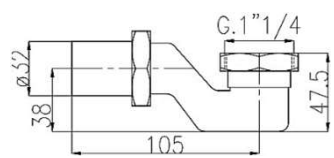



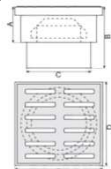

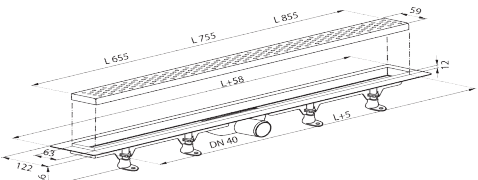




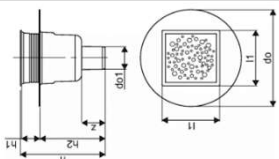

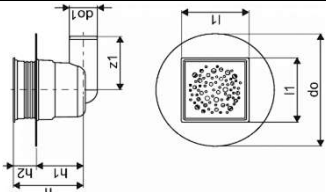

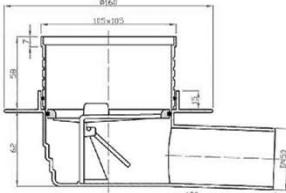

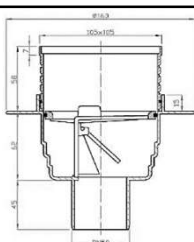

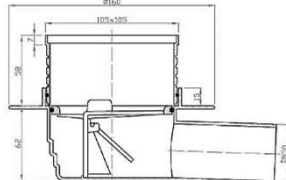

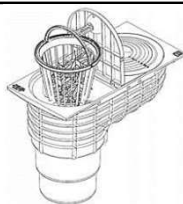

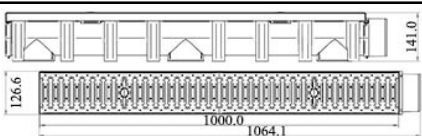



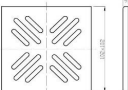
Starplika notecei



TRAPI

**VEIKALS
EUR**

		<i>Traps grīdai ar hidroizolāciju</i>		
		SFH10INCEX	99.86	1250067
		<i>Traps grīdai ar vertikālu izplūdi</i>		
	100x100x50	SIHJ10I	12.48	1250037
	<i>Traps grīdai ar horizontālu izplūdi</i>			
	100x100x50	831	4.34	1750001
	<i>Traps grīdai ar vertikālu izplūdi</i>			
	100x100x50 150x150x50	830	4.06	0350010
		830	4.96	0350011
		<i>Misiņa traps grīdai ar vertikālu izplūdi hromētu resti</i>		
	100x100x1,1/4	917	26.42	0140005
		<i>Misiņa traps vannas sifonam</i>		
	1,1/2"	907	7.20	0140003
	<i>Traps grīdai ar vertikālu izplūdi</i>			
	150x150/110	832	18.32	1750003
	<i>Traps grīdai ar horizontālu izplūdi</i>			
	150x150/110	832	18.24	1750004
		<i>Traps grīdai ar vertikālu izplūdi</i>		
	150x150/110	60	8.03	7850001
		<i>Grīdas ūdens noteka (ner. tērauds)</i>		
	SZA5650 655 mrr	102.79	6850021	
	SZE2850 855 mrr	117.97	6850020	




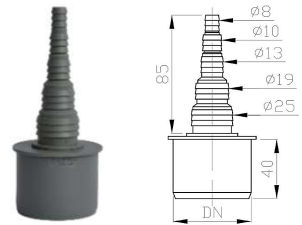
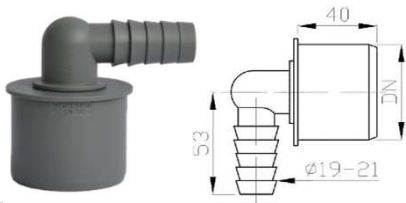
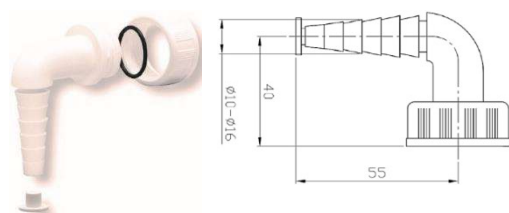




		<i>Traps grīdai ar horizontālu izplūdi</i>	150x150/110	61	10.74	7850002
		<i>Traps grīdai ar vertikālu izplūdi</i> 92604/46	120x120/50		24.87	1750007
		<i>Traps grīdai ar horizontālu izplūdi</i> 92604/47	120x120/50		26.53	1750006
		<i>Sausais traps ar horizontālu izplūdi</i> 100x100/50	SI50C01		14.99	6850018
		<i>Sausais traps ar vertikālu izplūdi</i> 100x100/50	SI5PC01		14.99	6850019
		<i>Universālais traps ar horizontālu izplūdi</i> 100x100/50	SI50C01UNI		19.72	6850023
		<i>Lietus ūdens uztvērējs</i>	DN110	9200	11.00	1767003
		<i>Ūdens novadīšanas kanāls</i> 1000mm x 130 mm	99101		23.80	1767004
		<i>Izvads kanālam</i>	99102		6.33	1767005
		<i>Gala noslēgs kanālam</i>	99103		6.29	1767006
		<i>Trapu reste, nerūs.tērauds.</i>	NSI50C0	100x100 mm	4.90	6850036
			NSIA0C0	150x150 mm	12.15	6850037

Noteces

VEIKALS

		<i>Notece "Cloc-clic", universāla, derīga ar un bez pārplūdes</i>				
MELNA		1,1/4"x65x50(max) 1,1/4"x65x50(max)	12500UNIVE 1250NERA01	15.27 20.83	0745001 7445005	
		<i>Notece "Cloc-clic", ar pārplūdi</i>				
		1,1/4"x65x60(max)	600-352	18.43	1445001	
		<i>Misiņa notece, zemā</i>				
		1,1/4"x65x15	201	4.99	0345000	
		<i>Misiņa notece, augstā ar pārplūdi</i>				
		1,1/4"x63x50(max)	1042705-00	16.65	0845003	
		<i>Misiņa notece, augstā bez pārplūdes</i>				
		1,1/4"x64x(8-22)	1042205-00	114.23	0845004	
		<i>Plastmasas notece, augstā</i>				
		1,1/2"x70x54	30.106	EV10000	4.57	6845004
		<i>Plastmasas notece virtuves izlietnei</i>				
		1,1/2"X117X63	30.301	EDVA030	14.24	6845005
		<i>Notece</i>				
		1,1/2"x70x40	385	EDV0000	4.03	0345008
		<i>Notece, korķis ar ķēdīti</i>				
		1,1/2"x80x37	445		3.59	0345004
		<i>Notece</i>				
		1,1/2"x70x33	30.105	EDV1010	3.39	6845001
		<i>Notece keramiskai izlietnei, korķis ar ķēdīti</i>				
		1,1/4"x65x23	445	EUV0000	3.75	6845002

Noteces

		<i>Notece krānam</i>			
	1,1/4"x63	655/95	9.72	7145001	
	1,1/4"x63	655/95 zelts	10.29	0145001	
		<i>Korķis vannas sifonam</i>			
		0411901	14.51	1245001	
		<i>Sietiņš izlietnei, plastmasas</i>			
	35 mm	1209	0.47	7445002	
	40 mm	1209	0.60	7445003	
		<i>Šļūtenes savienojums (taisnais)</i>			
	DN50	8-25mm	UZ50000	4.72 6850028	
		<i>Šļūtenes savienojums (leņķa)</i>			
	DN50	19-21mm	UZ50R00	4.72 6850029	
		<i>Veļasmašīnas līkums</i>			
	10-16 mm	EPP1230	1.46	6850030	
	18-23 mm	EPP1200	1.46	6850031	
		<i>Dekoratīvs noslēgs izlietnei hromēts</i>			
	Ø50mm	700	25	6.83 1245004	
		<i>Dekoratīvs noslēgs izlietnei balts</i>			
	Ø50mm	700/10	10	7.98 1245019	
		<i>Pārplūdes dekoratīvais riņķis izlietnēm (caurumam 25 mm)</i>			
	Ø24mm	6002010	2.75	1245008	
		<i>Korķis ar ķēdīti</i>			
	Ø31	930	2.12	1245009	
	Ø40	930	2.17	1245010	
	Ø45.5	930	2.17	1245011	
	Ø52	930	2.31	1245012	

Caurules un dekoratīvie šķīvīši sifoniem

**VEIKALS
EUR**

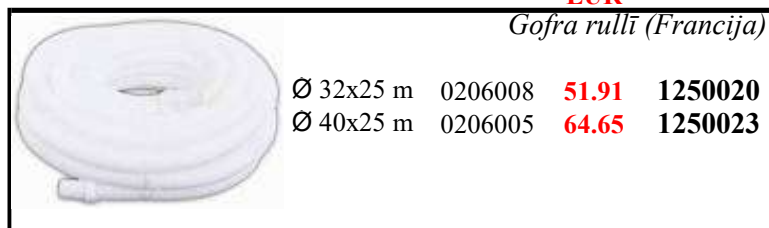
	<i>Hromēta caurule ar pāreju</i>			
	Ø32x125 mm	1049905-00	9.56	0845005
	<i>Hromēta caurule</i>			
	Ø32x200 mm	84501605-00	8.81	0845007
	Ø32x250 mm	84506605-00	10.92	0845008
	Ø32x300 mm	84502505-00	11.30	0845012
	<i>Hromēta, gofrēta caurule</i>			
	Ø32x350 mm	EMCR006	14.58	6845011
	<i>Hromēta caurule ar pievienojumu veļas mašīnai</i>			
	Ø32x200 mm x 3/4"	1046205-00	30.14	0845013
	<i>Hromēta uzmava</i>			
	Ø32x60 mm	1043105-00	7.22	0845014
	<i>Sifona caurule (220 mm)</i>			
	Ø32x220 mm	E001121	2.64	6845007
	Ø40x220 mm	E001021	3.00	6845008
	<i>Sifona caurule 45°</i>			
	45°x40/50	EV20000	1.71	6845009
	<i>Sifona caurule ar 2 piesl.v.maš.</i>			
	1.1/2"x260	EMP2642	6.94	6845010
	<i>Sifona caurule, grīdā</i>			
	Ø32	02 287	5.97	1245013
	Ø40	02 415	7.29	1245014
	<i>Sifona caurule, grīdā (hromēts)</i>			
	Ø32x680x220	84500805-00	50.55	0845015
	<i>Dekoratīvā rozete</i>			
	Ø32x90x20	81075405-00	10.56	0845017
	<i>Dekoratīvā rozete</i>			
	1/2"	697	0.53	0110204
	<i>Dekoratīvā rozete</i>			
	1/2"	697/10	0.83	0110207
	3/4"	697/10	1.21	0110208
	<i>Dekoratīvā rozete</i>			
	1/2"	697/20	0.66	0110209
	<i>Plastmasas pāreja (A-I)</i>			
	1,1/2"x1,1/4"	824	0.71	1245015
	<i>Plastmasas pāreja (A-I)</i>			
	1,1/4"x1,1/2"	824/A	0.71	1245016
	<i>Gredzenveida sifona pāreja</i>			
		125701	0.32	7445004

VEIKALS

VEIKALS

EUR

EUR



Gofra rullī (Francija)

Ø 32x25 m	0206008	51.91	1250020
Ø 40x25 m	0206005	64.65	1250023

Savienojums gofrai (uzgrieznis+pāreja+2 gumijas blīves)



Ø 32	0206012	1.80	1245017
Ø 40	0206009	1.96	1245018

Gofra (Francija)



Ø 32x650	0206001	3.80	1250003
Ø 40x650	0206002	3.88	1250006
Ø 32x900	0206064	4.49	1250004
Ø 40x900	0206065	5.39	1250007
Ø 32x1500	0206035	9.16	1250031
Ø 40x1500	0206067	10.71	1250022

Gofra ar plastmasas uzgriezni



1,1/4"x Ø 32/40	FPPG1004	1.61	7450004
1,1/2"x Ø 40/50	FPPG1005	1.66	7450005

Gofra ar metāla uzgriezni



1,1/4"x Ø 32/40	FPPG1010	1.85	7450002
1,1/2"x Ø 40/50	FPPG1006	2.17	7450003

Gofra (Itālija)



32/40	FPPG1007	1.62	7450006
40/50	FPPG1007	1.71	7450007

Gofra



DN40	CF40250	7.22	6850024
DN40	CF40500	9.30	6850033
DN50	CF50250	7.36	6850025
DN50	CF50500	9.70	6850035

Gofrēta uzmava



DN40	CF44250	7.50	6850026
DN40	CF44500	9.95	6850032
DN50	CF55250	7.78	6850027
DN50	CF55500	10.35	6850034



WC gofra PVC 250-400 mm (saspiējama)

102601	7.13	7480001
--------	-------------	----------------



WC gofra PVC 320-540 mm (saspiējama)

102602	7.77	7480002
--------	-------------	----------------



WC gofra GO-EXTRA 220-540 mm

102800	11.80	7480003
--------	--------------	----------------



WC gofra GO-MAGIC LUX 290-590 mm

102400	7.11	7480004
--------	-------------	----------------



WC gofra PVC 265-450 mm, 90gr.

1024ELBOW1	11.80	7480006
------------	--------------	----------------



WC ekscentrs 45 mm (plastamasas korpuss)

109201	5.02	7480005
--------	-------------	----------------



WC manžete taisna

58 207	2.56	6866001
--------	-------------	----------------




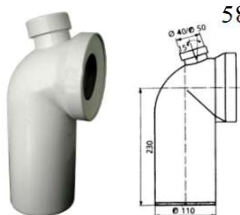
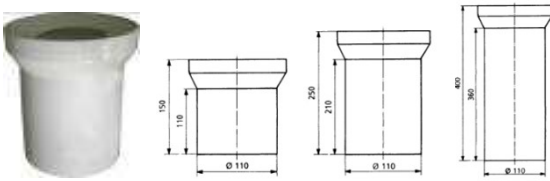

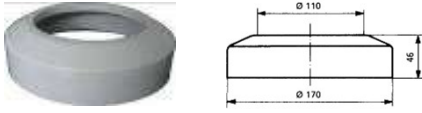
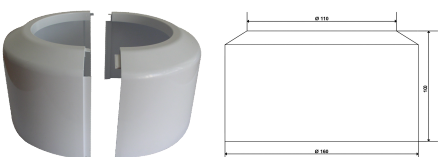
WC manžete ekscentriskā









58 208	2.56	6866002
--------	-------------	----------------

WC PIESLĒGI UN MANŽETES















EUR

EUR







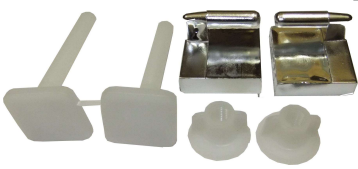



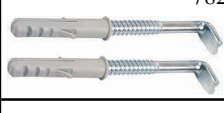








				<i>WC līkumi</i>	
22°	58 101	KK22000	4.36	6880003	
45°	58 102	KK45000	4.42	6880004	
90°	58 103	KK90000	4.67	6880005	
					
<i>WC līkums 90° ar atzaru DN50</i>					
	58 110		10.08	6880009	
					
				<i>WC pieslēgs</i>	
150 mm	58 201	KP15000	4.90	6880006	
250 mm	58 202	KP25000	5.24	6880007	
400 mm	58 203	KP40000	6.81	6880008	
					
				<i>WC ekscentrs</i>	
	58 206	KE15000	8.06	6880002	
					
				<i>WC rozete</i>	
110X170X41	58 301	KR00000	1.82	6880010	
					
				<i>WC rozete</i>	
110x170x100	KR1000	KR10000	3.92	6880011	
					







	780	<i>Gumijas manžetes</i>	
	32x26	0.71	4466016
	40x32x26	0.72	4466015
	50x32x26	0.74	4466013
	50x40	0.72	4466014
	780	<i>Gumijas manžetes</i>	
	14x38	4.26	0566001
	32x75	1.81	4466002
	40x75	1.79	4466001
	50x75	1.92	4466011
	780	<i>Gumijas manžetes</i>	
	40x60	1.25	0166012
<i>Gumijas manžetes, balta "STEDO"</i>			
	780	100x100	3.55 4466012
	780-M	<i>Gumijas manžete</i>	
	100x100	3.46	4466004
	780	<i>Gumijas manžete "NEW PRO"</i>	
	melna	100x100	4.33 4466006
	780	<i>Gumijas manžete "NEW"</i>	
	balta	100x100	4.32 4466005
	780	<i>Gumijas manžete, universāla</i>	
	70x75x50x40	4.93	4466007
	780	<i>Gumijas manžete</i>	
	D40	0.93	4466008
	D50	0.93	4466009







Skaitītāji, manometri

		VEIKALS	EUR			VEIKALS	EUR
	Dzīvokļu skaitītājs aukstajam ūdenim ar pieslēguzgriežņiem	1/2"	25.85	4529001	<td>4011</td> <td>sāna 5.53 3829001</td>	4011	sāna 5.53 3829001
	Dzīvokļu skaitītājs karstajam ūdenim ar pieslēguzgriežņiem	1/2"	25.85	4529004	<td>4011</td> <td>sāna 5.53 3829002</td>	4011	sāna 5.53 3829002
	Dzīvokļu skaitītājs aukstajam ūdenim ar pieslēguzgriežņiem	3/4"	31.05	4529002	<td>GO PLAST</td> <td>sāna 5.40 7429001</td>	GO PLAST	sāna 5.40 7429001
	Dzīvokļu skaitītājs karstajam ūdenim ar pieslēguzgriežņiem	3/4"	31.05	4529006		4010	sāna 13.20 3829009
	Māju ūdens skaitītājs aukstajam ūdenim	1/2"	54.93	4529015		4010	sāna 13.20 3829010
		3/4"	57.85	4529003		4010	sāna 13.20 3829011
		1"	83.78	4529005		4010	sāna 13.20 3829012
		1,1/4"	143.24	4529007	<i>Nepieciešama pāreja uz 1/2"</i>		
		1,1/2"	181.01	4529010	<i>Manometrs 0-6 bar, 63 mm 1/4"</i>	4011	aizmugures 5.06 3829003
		2"	233.73	4529011	<td>4011</td> <td>aizmugures 5.06 3829004</td>	4011	aizmugures 5.06 3829004
	Māju ūdens skaitītājs karstajam ūdenim	1/2"	76.73	4529030	<td>GO PLAST</td> <td>aizmugures 5.42 7429002</td>	GO PLAST	aizmugures 5.42 7429002
		3/4"	41.14	4529009	<i>Termomanometrs 0-6 bar, 80 mm, 1/2"</i>	4013	aizmugures 16.78 3829006
		1"	133.29	4529008	<td>4013</td> <td>sāna 16.78 3829007</td>	4013	sāna 16.78 3829007
		1,1/4"	122.36	4529012	<i>Termometrs 120°C, 63 mm 1/2"</i>	4012	aizmugures 7.10 3829005
		1,1/2"	215.47	4529013	<td>4012</td> <td>aizmugures 7.10 3829005</td>	4012	aizmugures 7.10 3829005
		2"	294.94	4529014	<i>Termometrs 120°C, 63 mm stiprināms ar atsperi</i>	4012	virsmas 7.77 3829008
	997799 Svina plomba skaitītājiem		0.21	2329001		607.402	2.77 0925307
	997809 Stieple plombēšanai (100m)		27.12	2329002			
	997798 Stieple plombēšanai (40cm)		0.19	2329003			
























Skrūves un stiprinājumi

		GAB.		VEIKALS EUR		GAB.		VEIKALS EUR	
		100				Metāla stiprinājums			
	3/8"	14-18	100	0.72	1422049				
	1/2"	20-25	100	0.74	1422034				
	3/4"	25-30	100	0.83	1422035				
	1"	31-36	100	0.88	1422036				
	1,1/4"	40-44	50	0.88	1422037				
	1,1/2"	50-58	50	0.90	1422039				
	2"	60-64	50	0.93	1422038				
	2,1/2"	75-80	50	1.98	1422040				
	3"	85-92	25	1.97	1422041				
	4"	110-118	25	2.29	1422043				
5"	133-141	25	5.15	1422050					
		111				Metāla stiprinājums ar gumijas blīvi			
	3/8"	14-18	100	0.91	1422064				
	1/2"	20-25	100	0.80	1422024				
	3/4"	25-30	100	0.81	1422025				
	1"	31-36	100	0.87	1422026				
	1,1/4"	40-44	50	0.97	1422027				
	1,1/2"	44-50	50	1.06	1422028				
	2"	60-64	50	1.14	1422029				
	2,1/2"	75-80	50	1.61	1422030				
	3"	85-92	25	2.60	1422031				
	4"	110-118	25	1.98	1422033				
5"	133-141	20	4.69	1422063					
6"	159-168	20	5.50	1422044					
8"	192-204	20	6.25	1422077					
		Komplekts radiatoru stiprināšanai ar atgaisotāju un korķi							
		9824UK		8.19	1722058				
		783				Skrūves izlietnei (2 gab.)			
	8x100	50	1.44	1422018					
	8x120	50	1.53	1422019					
	8x150	50	1.60	1422020					
		784				Skrūves izlietnei (2 gab.)			
	10x100	50	1.67	1422021					
	10x120	50	2.19	1422022					
	10x140	50	2.08	1422023					
		250/A				Stiprinājums poda vākam (plastmasas)			
				1.20	7422001				
		250/C				Stiprinājums poda vākam (hromēts)			
				1.81	7422002				
		1137NY0000				Stiprinājums WC podam			
				2.90	7422003				
		787				Stiprinājumi WC skalojamai kastei			
		105 mm		7.37	7822001				
		785				Skrūves podam komplektā			
	baltas	50	0.94	1422016					
	hromētas	50	0.97	1422017					
		782				Skrūves boileriem 2 gab.			
		10x95	10	1.40	0122000				
		Klipšveida stiprinājums siltajām grīdām							
	15-20 mm	01990	0.05	1722033					
	15-20 mm	01995	0.06	1722034					
		011				Plastmasas turētājs ar dībeli			
	15mm	50	0.25	1422013					
	18mm	50	0.30	1422014					
	20mm	50	0.41	1422015					
	25mm	50	0.43	1422045					
	32mm	50	0.66	1422046					
	40mm	50	0.71	1422047					
	50mm	50	0.78	1422048					
		9826FK				Klipšveida turētājs			
	15-18	50	0.09	1722036					
		9826ZK				Klipšveida turētājs (zaļš)			
	20-22 mm	100	0.03	7622001					
	24-25 mm	50	0.03	7622002					
	32 mm	50	0.03	7622003					
		9826AK				Klipšveida stiprinājums			
	10	100	0.29	1722001					
	12	100	0.22	1722002					
	14-15	100	0.18	1722003					
	16-18	100	0.19	1722004					
	20-22	50	0.23	1722005					
	25-28	50	0.69	1722006					
	35	25	0.64	1722059					
			9827AK				Klipšveida stiprinājums dubultais		
	10	100	0.10	1722007					
	12	100	0.35	1722008					
	14-15	100	0.25	1722009					
	16-18	100	0.34	1722010					
	20-22	50	0.36	1722011					
	25-28	50	0.37	1722030					
	35	25	0.88	1722060					
			9826EK				Klipšveida stiprinājums		
	16	50	0.26	1722013					
	18	50	0.27	1722014					
	20	50	0.28	1722015					
	22	50	0.30	1722016					
	25	50	0.34	1722017					
	28	50	0.34	1722018					
	32	50	0.53	1722019					
			9827EK				Klipšveida stiprinājums dubultais		
	16	40	0.61	1722021					
	18	40	0.45	1722022					
	20	40	0.71	1722023					
	25	40	1.02	1722025					














		GAB.	VEIKALS EUR	
9826BK <i>Stiprinājums plastmasas caurulēm</i>				
	32	50	1.03	1722026
	40	40	1.01	1722027
	50	40	1.15	1722028
	75	40	1.25	1722061
	110	40	1.69	1722029
2020 <i>Izolācijas skava</i>				
			2.36	1722040
2009 <i>Skava caurulei (grīdas siltināšanai)</i>				
	100		9.62	7822002
	250		10.80	1722041
91230 <i>Takers skavas stiprināšanai</i>				
	1gb		260.86	1735010
01860P <i>Cauruļu stiprinājums ar dībeļnaglu</i>				
	25mm	200	0.08	1722031
01970P <i>Cauruļu stiprinājums ar dībeļnaglu dubults</i>				
	25mm	100	0.10	1722032
<i>Āķītis ar dībeli</i>				
	04368 8mm	100	0.53	1422060
	04369 10mm	50	0.90	1422061
<i>Vītņstienis</i>				
	8x1000mm	976-08X1	1.39	1422055
	8x2000 mm	976-08X2	3.86	1422066
	10090		1.58	1422056
	10x1000mm			
<i>Uzgrieznis vītņstienim</i>				
	16002 8x24mm		0.23	1422057
	16004 10x30mm		0.44	1422058


		GAB.	VEIKALS EUR	
<i>Savilcēji (nerūsējošs tērauds)</i>				
	8-16	50	0.36	1627001
	12-20	50	0.37	1627002
	16-24	50	0.40	1627003
	20-32	50	0.43	1627004
	25-40	50	0.41	1627005
	32-50	50	0.48	1627006
	40-60	50	0.48	1627007
	50-70	50	0.48	1627008
	60-80	50	0.61	1627009
	70-90	25	0.63	1627010
	80-100	25	0.70	1627011
	90-110	25	0.73	1627012
	100-120	25	0.75	1627013
	110-130	25	0.99	1627014
	120-140	25	1.03	1627015
	140-160	25	1.10	1627016
<i>Savilcēji (nerūsējošs tērauds)</i>				
	23-25	10	1.37	1627017
	26-28	10	1.37	1627031
	29-31	10	1.37	1627018
	32-35	10	1.37	1627019
	36-39	10	1.48	1627034
	40-43	10	1.64	1627020
	44-47	10	1.87	1627021
	48-51	10	2.05	1627032
	52-55	10	2.27	1627033
	56-59	10	2.57	1627022
	60-63	10	2.97	1627023
	64-67	10	3.40	1627024
	68-73	10	3.54	1627025
	74-79	10	3.64	1627026
	80-85	10	3.76	1627027
	86-91	10	3.91	1627028
	92-97	10	4.04	1627029
	98-103	10	4.17	1627030
2215 <i>Dekoratīvais šķīvītis, jaucams (balts)</i>				
	15	100	0.29	1770001
	16	100	0.23	1770003
	18	100	0.23	1770002
	20	100	0.24	1770004
	22	100	0.23	1770005
	28	100	0.25	1770006
2215/C <i>Dekoratīvais šķīvītis, jaucams (hromēts)</i>				
	15	100	1.37	1770007
	16	100	1.37	1770008
	18	100	1.39	1770009
	20	100	1.41	1770010
	22	100	1.43	1770011
	28	100	1.44	1770012
2220 <i>Dekoratīvais dubultais šķīvītis (balts)</i>				
	15	50	0.78	1770013
	16	50	0.81	1770014
	18	50	0.70	1770015
	20	50	0.66	1770016
	22	50	0.77	1770017
	28	50	0.66	1770018
2220/C <i>Dekoratīvais dubultais šķīvītis (hromēts)</i>				
	15	50	3.73	1770019
	16	50	3.73	1770020
	18	50	3.73	1770021
	20	50	3.73	1770022
	22	50	3.73	1770023
	28	50	3.73	1770024

BLĪVES

		VEIKALS EUR				VEIKALS EUR				
	796	<i>Paranīta blīve</i>		<i>Gumijas blīves dozātoram</i>						
		3/8"(100)	3.78	0166022		215 V/796	Ø 12 mm	0.35	0566002	
		1/2"(100)	4.59	0166003		216 V/796	Ø 28 mm	0.35	0566003	
		3/4"(100)	7.95	0166004	<i>Gumijas blīve (čuguna veidgabaliem)</i>					
		1"(10)	1.32	0166008		03576	1/2"	0.32	2166001	
		1,1/4"(10)	2.62	0166009			3/4"	0.28	2166002	
	1,1/2"(10)	2.50	0166015			1"	0.46	2166003		
	2"(10)	3.66	0166016			1,1/4"	0.74	2166005		
						1,1/2"	0.66	2166004		
						2"	0.68	2166006		
	03572	<i>Gumijas blīve</i>		<i>GUA 11 Blīves PE savienojumiem</i>						
		3/8"(100)	3.15	0466004		19x3,5	DN20	0.42	9066007	
		1/2"(100)	3.36	0466002			24x4	DN25	0.45	9066008
		3/4"(100)	5.36	0466005			31x4,5	DN32	0.65	9066009
		1"(10)	1.29	0466008			39x5,5	DN40	0.80	9066010
		1,1/4"(10)	1.80	0466009			49x6,5	DN50	0.87	9066011
		1,1/2"(10)	2.14	0466006			62x7,5	DN63	1.04	9066012
	2"(10)	2.85	0466007	<i>Blīve (konuss) bezvītņu savienojumiem</i>						
	03574	<i>Gumijas blīve ar sietiņu</i>			03575	1/2"	1.51	0966001		
		3/8"	0.60		0466013		3/4"	2.01	0966002	
		1/2"	0.60		0466001		1"	2.24	0966003	
		3/4"	0.94		0466003		1,1/4"	2.75	0966004	
	796/S	<i>Gumijas blīve iztekai</i>		<i>Blīve (konuss) bezvītņu savienojumiem</i>						
		Ø 16 mm(10)	6.90	0166018			1,1/2"	3.11	0966005	
		Ø 18 mm(10)	3.28	0166005			2"	4.42	0966006	
	797	Pārslēdzējam(1)	0.25	0166031			1/2" (10)	8.60	0966019	
	Pārslēdzējam(10)	0.64	0166001			3/4" (10)	11.41	0966020		
	796/G	<i>Plastmasas gredzens iztekai</i>		<i>Blīve (konuss) bezvītņu savienojumiem</i>						
		Ø 18 mm	0.26	0166020		1" (10)	12.49	0966021		
	796/675	<i>Gumijas blīve dozātoriem</i>		<i>Blīves trīsdaļīgiem savienojumiem</i>						
		1/2"	0.59	0166007			2"	0.88	0966012	
		3/8" (10)	2.87	0166026			1/2" (10)	2.15	0966013	
	1/2" (10)	3.44	0166027			3/4" (10)	2.81	0966014		
	796/V	<i>Gumijas blīve krāna ventilim</i>		<i>Blīves trīsdaļīgiem savienojumiem</i>						
		3/8"	1.17	0166014			1" (10)	3.47	0966015	
		1/2"	1.20	0166013			1,1/4" (10)	3.96	0966016	
		3/8" (10)	6.88	0166029			1,1/2" (10)	4.46	0966017	
	1/2" (10)	7.07	0166030			2" (10)	4.96	0966018		
	<i>Blīvju komplekts jaucējkrānam</i>		<i>Blīve virtuves jaucējkrānam</i>							
	R302-1078	Ø 35	5.42	0166019						
	R302-0130	Ø 40	6.12	0166021						
	<i>Blīve virtuves jaucējkrānam</i>		<i>Gumijas blīve ekscentriem</i>							
	R 302-35 mm	Ø 35	2.94	0166023						
	R 302-40 mm	Ø 40	3.00	0166024						
	03573	<i>Gumijas blīve ekscentriem</i>		<i>Blīve WC skalojamai kastei</i>						
		(10)	0.14	1166003		781		2.13	7866001	
		0.80	1166005	<i>Blīve aeratoram ar ārējo vītņi</i>						
	03571	<i>Gumijas blīve sifoniem (konuss)</i>		<i>Blīve aeratoram ar ārējo vītņi</i>						
		Ø 32 mm	0.37	7466001		03580		0.16	1166004	
		Ø 40 mm	0.44	7466002		03580/10		0.92	1166006	
	Ø 32 mm (10)	2.18	7466003	<i>WC blīve skalojamai kastei podam</i>						
	Ø 40 mm (10)	2.52	7466004							
	<i>Blīvju komplekts pedāļa dozātoram</i>									
	401/796K		1.26	0566004						
	<i>Blīve pedāļa dozātoram</i>									
	401/796		0.35	0566005						
						U093	6.25	7866002		

VEIKALS
EUR

	<i>Blīvējamā pasta "UNIPAK"</i>	
	65 gr	3.94 2566011
	250 gr	7.31 2566012
		
	<i>Blīvējamā pasta "UNIPAK"</i>	
	360 gr	8.10 2566013
		
	<i>Teflona lente "UNITAPE"</i>	
	12x12x0,075 mm	0.75 2566002
		
	<i>Teflona lente "JUMBOTAPE"</i>	
	10x19x0,2 mm	4.12 2566004
		
	<i>Teflona lente "MAXITAPE"</i>	
	12x12x0,1 mm	1.45 2566003
		
	<i>Teflona lente "MIDITAPE"</i>	
	12x12x0,1 mm	1.18 2566001
		
	<i>Teflona lente</i>	
	12x12x0,075 mm	0.27 4366001

<i>Teflona lente</i>	
19x15x0,25 mm	2.40 2566018
	
37687	<i>Vītņu blīvējamais diegs, LOCTITE 55</i>
50 m	8.40 2366001
	
	<i>Vītņu blīvējamais diegs, LOCTITE 55</i>
160 m	17.31 2366002
	
	<i>Auduma, mitrumizturīga limlenta, pelēka</i>
48mmx50m	8.06 2566019
	
	<i>HT smērvielā</i>
250 gr	
150 gr	3.23 6866003
250 gr	3.76 6866004
1000 gr	10.25 6866005
	
	<i>Vītņu blīvējamais diegs, MAGMA</i>
20 m	4.03 7166005
50 m	5.55 7166003
150 m	11.66 7166004
	
	
	

VEIKALS
EURVEIKALS
EUR

Blīvējamā pasta "GEBATOUT 2"



80 gr PASTA-GEB **3.34** 6766001
200 gr PASTA-GEB **4.94** 6766002

Izmanto ūdens, gāzes un saspiesta gaisa sistēmās.
Savienojuma spiediena izturība līdz 200Bar, max t° līdz 130°

Blīvējamā pasta "GEBATOUT 2"



500 gr PASTA-GEB **6.65** 6766003

Instalācijas komplekts



Blisteris 80g+20g **5.95** 6766031

Kusnis lodēšanai ar alvu "HAMPTON"



Kusnis lodēšanai ar alvu. Satur cinka hlorīdu.
Paredzēts dzelzs, tērauda, čuguna, vara, bronzas,
misiņa, cinka u.c. metālu lodēšanai izņemot
alumīniju! Aktivizējas pie +75°C līdz +375°C.

175 gr 100111 **11.48** 6735002

Alva lodēšanai SN9



100 gr 815708 **20.88** 6735004

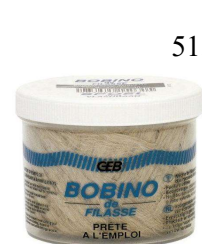
Sn97Cu3

Lini mīkstā spole



100 g **3.89** 2566009
515031 80 gr Francija **3.91** 6766036

Lini 80 gr (plastmasas traukā)



515030 80 gr Francija **7.97** 6766022

Lini fice



100 g Francija **1.71** 6766023
200 g **3.75** 2566007
500 g **9.03** 2566008

Hermetizējoša aukla no 100% teflona



80 m 815500 **10.47** 6766007

Iztur hidrotriecienu un vibrāciju. T° izturība no -190° līdz +260°; spiediens līdz 15Bar. Pietiek 65gab 1/2 savienojumiem.

Hermetizējoša blīvējamā aukla



25 m 515200 **6.39** 6766041

Impregnēta poliamīda aukla vītņotu savienojumu blīvēšanai: metāla un plastmasas, konisku un cilindrisku vītņotu savienojumu blīvēšanai. Var izmantot dzeramā ūdens caurulēm, sanitārā mezgla karstajam un aukstajam ūdenim

Teļona lente "RUBAN"



12mm*12m*0,075mm **0.60** 6766009

Nejūtīga pret ķīmiskām piedevām un mikro organismiem. Spiediena izturība max 15Bar (silts/auksts), temperatūras izturība no -260° līdz +260°

Zila Fum lente



12mm*12m*0,1mm **0.86** 6766010

Nejūtīga pret ķīmiskām piedevām un mikro organismiem. Spiediena izturība max 15Bar (silts/auksts), temperatūras izturība no -260° līdz +260°

Fum lente degvielai un eļļām



12mm*12m*0,1mm **1.26** 6766032

Nejūtīga pret ķīmiskām piedevām un mikro organismiem. Izmantojama arī degvielai un eļļām. Degvielai, Spiediena izturība max 15Bar (silts/auksts), temperatūras izturība no -260° līdz +260°. Blīvums 0.8mm

Zaļa Fum lente



19mm*15m*0,2mm **3.96** 6766011

Fum lente gāzei



12mm*12m*0,1mm **3.40** 6766012

Izcila ķīmiskā inerce: butāna, propāna, dabasgāzes, saspiesta gaisa, slāpekļa, ūdeņraža, hēlija, argona, uc gāzēm. Temperatūras izturība -260° līdz +260° C

**VEIKALS
EUR**

**VEIKALS
EUR**

GEB-KIT



4/5/6*2,5 m **15.90 6772002**
7/8*2,5 m **16.12 6772003**
10*2,5 m **18.62 6772004**

Hermetizācijas komplekts krāšņu piedurļiņiem.
1. Apaļa termo aukla (Ø 5x2,5 m)+Collafeu (20ml)
2. Apaļa termo aukla (Ø 8x2,5 m)+Collafeu (20ml)
3. Plakana termo aukla (10mmx2.5mmx2.5m)+Collafeu (20ml)
(Collafeu – termoizturīga līme šķiedrainai izolācijas materiālu pielīmēšanai pie virsmām, kuras pakļautas augstām temperatūrām, līdz +1100°C)

GEB-COLLAFEU



50 ml **5.40 6772006**

Termoizturīga līme šķiedrainu izolācijas materiālu pielīmēšanai pie virsmām, kuras pakļautas augstām temperatūrām (līdz +1100°C)

GEB-CALORYGEB



300 gr. **5.65 6772008**
310 ml **8.09 6772007**

Ugunsizturīga mastika, kuru viegli pielietot montējot krāsnis, kamīnus, kā arī veicot remontdarbus un novēršot defektus to virspusē. Izmantojams kā hermētiķis plaisām un salaiduma vietās ar kurtuvi, dūmvadu u.c. Temperatūras izturība līdz +1100°C. Uzklāt uz tīras, samitrinātas virsmas. Lietot 90% CALORYGEB un 10% ūdens. Ļaut nožūt 48 stundas.

GEB-PROPFEU POWDRE



900 gr. **12.46 6772011**

Kīmiskai dūmvadu apstrādei. Efektīvi noņem darvu, sveķus un nosēdumus, kurus nevar noņemt mehāniski. Uzbērt uz kvēlojošām oglēm ieteicamo mērtrauciņu skaitu. Katalītiska reakcija pārvērtīs darvu un sveķus par nedegošiem. Daļa nokriņķis kurtuvē, daļa tiks iznesta ar vilkmi. Ja nepieciešams pēc tam tiek veikta mehāniskā dūmvada tīrīšana. Nelietot šķidrā kurināmā un gāzes katlos.

GEB-PROPFEU



500 ml **11.30 6772009**

Līdzeklis kamīnu/ krāšņu stiklu tīrīšanai. Ātri šķīdina darvas un kvēpu nosēdumus. Nelietot alumīnija virsmām. Instrukcija: Aizsargājiet (apsedziet) apkārtējās virsmas ar lupatu. Izsmidzina uz aukstas vai siltas virsmas. Ļauj iedarboties 1 minūti. Notīra

GEB-PLAQUE



1m2 **38.32 6766017**

Termoizolējošs minerālu pārklājs. Pielieto krāsns virsmu, dūmvadu, kurtuvju apdarei un sienu izolācijai no karstuma iekārtām. Līdz +1100°C. Paklāja fiksācijai pielieto līmi - COLLAFEU

GEB-DEBOUCHEUR UNIVERSEL



1 L **8.82 6772013**

Šķidr līdzeklis aizsērējumu attīrīšanai dušas kabīnēs, izlietnēs un kanalizācijā. Var izmantot emaljētām virsmām, fajansam, nerūsējošam tēraudam, hromētām virsmām, čuguna un plastmasas cauruļvadiem. Ieliet 0.5 l šķīduma sifonā (1 l podiem) un atstāt no 30 min., līdz 12 h, atkarībā no aizsērējuma. Skalot ar lielu daudzumu ūdens. Nekādā gadījumā šo līdzekli nejaukt ar citiem līdzekļiem!!!

GEB-DEBOUCHEUR PROFESIONEL



1 L **9.54 6772012**

Ļoti iedarbīgs (spēcīgs) šķidr līdzeklis izšķīdina kaļķa nogulsnes, organiskus u.c. savienojumus. Liet līdzekli kanalizācijā (izmantojot piltuvi). Skalot ar lielu daudzumu ūdens. Tualetes (izņemot ķīmiskās) ½ -1 iep., izlietnes ¼ - ½ iep., kanalizācija ¼ -1/2 iep. Līdzeklis nav lietojams emaljētām un hromētām virsmām. Nekādā gadījumā šo līdzekli nejaukt ar citiem līdzekļiem!!! Izdala siltumu.

GEB-DEBOUCHEUR KIT

Ø25-Ø50 **28.59 6735006**



Mehāniskās cauruļu tīrīšanas komplekts „Kit Deboucheur” Lietošanas instrukcija: Izmantojiet cimdus un aizsargbrilles. Pirms lietošanas nepieciešams: 1) Izjaukt sifonu, ja sifona caurule nav pieejama. 2) Nobloķēt pārplūdi, kā arī blakus izlietni, ja tāda ir uzstādīta. 3) Ja ir uzstādīta vēl kāda caurule pirms aizsprosta, arī tās izeja ir jānobloķē. 4) Ja nav iespējams pilnībā ievietot mehānisko cauruļu tīrītāju (atbloķētāju) caurulē, izmantojiet komplektā esošo caurulīti un lieciet to pie noteces. Pilnībā ievietojiet atbloķētāju caurulē un atveriet ūdeni lēnā plūsmas režīmā, ūdens temperatūrai jābūt zemākai par 30°C. Kad atbloķētājs būs piepildījies ar ūdeni, tas nosprostos caurulī. Starp atbloķētāju un aizsprostu piepildīsies ūdens kas izspiedīs vai izjauks aizsprostu. Nelietot ar karsto ūdeni. Nelietot WC podā. Nelietot gofrās un lokanās caurulēs. Nelietot, ja pirms tam izmantots ķīmiskais cauruļu tīrīšanas līdzeklis

VEIKALS
EUR

VEIKALS
EUR

Blīvējamā mastika FILGUM

200 gr	104019	4.65	6766045
--------	--------	------	---------

Elastīga mastika spraugu blīvēšanai. Savienojuma vietu, šuvju un plaisu hermetizācijai un aizpildīšanai. Santehnikas iekārtu (notekas, sifoni, izlietnes, vannas, tualetes u.c.) uzstādīšanas laikā radušos spraugu blīvēšanai.

Silikona hermētiķis "GEB-SICONE W"

"W" balts	310 ml	893400	7.40	6766004
"W" C.S.	310 ml	893403	7.40	6766005

Līme vara un misiņa savienojumiem "RLC+"

30 ml	814655	17.53	6766046
-------	--------	-------	---------

RLC+ ir blīvēšanas sveķi, kas piemēroti: Vara caurules/vara un misiņa veidgabali līdz D28; Apkurei, mājas karstajam un aukstajam ūdenim; Pilnīga uzstādīšana bez pieslēgumu skaita un renovācijas ierobežojuma; Piemērots objektos, kur liesmas ir aizliegtas (slimnīcas, lidostas); Pabeidziet līmēšanu, lai pastiprinātu savienojumu hermētiskumu vecajos tīklos

Daudzfunkcionālā līme-mastika "GEB-MS"

280 ml	892001	10.52	6766042
--------	--------	-------	---------

Vienkomponenta blīvēšanas un līmēšanas mastika, kura izgatavota no MS Polymer. Sacietē saskarē ar apkārtējās vides mitrumu: Pielietojums: Ūdensizturīgu šuvju aizpildīšana būvniecībā (betons, koks, stikls, metāls, PVC u.c.). Izplešanās šuvju aizpildīšana. Hidroizolācijas šuves starp mūri un koku. Zem koka, metāla vai PVC apdares materiālu apakšējās daļas. Plaisu aizpildīšana. Līmēšana iekštelpās un ārpus tām (apšuvuma briķetes, listes, cokoli, polistirola elementi, spoguļi, ventilācijas atveres, elektrības kastes, akustiskā izolācija utt.).

Mastika baseiniem

balta	290 ml	590910	15.99	6766043
caurspīdīga	290 ml	590911	15.99	6766044

Neitrāla vienkomponenta polimēru mastika uz modificēta silikona bāzes. Paredzēts noplūžu līmēšanai, savienošanai un blīvēšanai iekštelpās, ārā un zem ūdens.

Paredzēts īpaši peldbaseiniem, spa un balneoterapijas zonām. Piemērots gadījumiem, kad nepieciešama materiāla paaugstināta stabilitāte zem ūdens. Tam ir augsta sākotnējā saķere, tāpēc bieži vien nav nepieciešama balstu un pastiprinājumu uzstādīšana. Hidroizolācija (ūdens attīrīšanas ierīces, prožektoru, caurules, apmalītes, siltumnīcas, segumi utt.)

GEB-SPRAY

500 ml	9.50	6766028
--------	------	---------

Aerosols uz 100% silikona eļļas bāzes, nelīpoša un ūdensizturīga, paredzēta: Eļļošanai, aizsardzībai pret mitrumu, lipšanas novēršanas līdzeklis gumijai, novērš blīvju nodilšanu un deformācijas. Palīg līdzeklis izņemšanai no formas, novērš vaska vai saistvielu lipšanu, ideāli piemērots puteklīnāi videi, lietošanai ar tvertni gan uz augšu, gan uz leju.

GEB-GEBEX

200 gr	3.62	6766015
500 gr	5.17	6766016

Montāžas smēre cauruļvadiem kura nesatur silikonu. Pielieto plastikas cauruļvadu montāžā, uzmašanās un gumijas blīvju uzstādīšanā u.c. *Piemērots spiediena un kanalizācijas caurulēm. *Nodrošina vieglu slīdēšanu. *Aizsargā gumijas blīvījumus.

GEB-GEBEX PLUS

400 gr	5.11	6766025
--------	------	---------

Uz silikona bāzes veidota formula visu veidu cauruļvadu eļļošanai: plastmasas, čuguna, betona, u.c., kā arī gumijas blīvju aizsardzībai jebkuros laika apstākļos.

GEB-GEBEX TAP

20 ml	4.44	6766040
-------	------	---------

Savienotājelementu eļļošanai. Novērš ūdenī esošā kaļķakmens nosēdumu veidošanos uz eļļotajām virsmām.

GEB-GEBETANCHE+

75ml	21.73	6766013
------	-------	---------

Universālie anarobie sveķi paredzēti metāla vītņu savienojumiem jebkuriem izplatītajiem nesējiem. Jaunā tehnoloģija paredzēta ātrai, tīrai un ekonomiskai metāla vītņu montāžai. Lietojams bez līmiem. Viena tūbiņa paredzēta 100 savienojumiem ar izm. 1"

Paredzēta aukstā un karstā ūdens sistēmās, apkures sistēmās, gāzes apgādes sistēmās, ogļskābās gāzes padeves sistēmās, apkures sistēmās (butāns, propāns, dīzeldegviela, mazulsts u.c.)

* Ieteicams lietot dzeramajam ūdenim (klasifikācijas WRAS, standarts BS 6920).
* Temperatūras izturība: no -30°C līdz +130°C, +150°C pie īslaicīgas uzkaršanas.
* Spiedienu izturība >170 bar.

VEIKALS
EUR

VEIKALS
EUR

Remontlenta caurulēm

1,5*0,05m **16.97** 6766024



Paredzēts dažādu plaisu, caurumu un citu bojājumu ātram remontam. Lietojams tikai uz cietām, nelokāmām virsmām. Plaši pielietojams apkures, kanalizācijas un citu sistēmu remontam. Derīgs uz mitrām virsmām, kā arī iegremdētām ūdenī (max 1m). Žūšanas laiks 30min. Spiediena izt. max 20 Bar; Temp. max izturība 125°C

GEB PRETaPOSER

Stūra montāžas lente

40mm*3,35m **19.52** 6766021



Pasta vītņu blīvēšanai saules paneļos

250 gr. **9.05** 6766039



Dezinfekcijas līdzeklis kondicionieriem G95

850410 1l **13.19** 6772029



Paredzēts dziļai ārtelpu siltumsūkņu un kondicionēšanas iekārtu (režģiem, kondensatoriem, ventilatoriem u.c.) tīrīšanai; Var lietot ventilācijas iekārtu (vienotas plūsmas) tīrīšanai; Gatavs lietošanai bez skalošanas; Pārtikas drošs; Nav skāba vide; Atjauno iekārtas veiktspēju;

105579 Līdzeklis sūces novēršanai G40

2 l **33.66** 6772024



Noplūžu novēršanas šķidrums plaisām un mikro noplūdēm (līdz ~15l/dienā) ar apgrūtinātu piekļuvi karstā ūdens centrālās apkures sistēmās (apkures katli, radiatori, siltumsūkņi, apsildāmās grīdas u.c.); Izmantojams bez sildīšanas; Efektīvs un ilgtspējīgs; Neveicot elementu demontāžu, novērš arī porainību plastmasas/metāla caurulēs un metāla savienotājos

Aizsarglīdzeklis pret koroziju, kaļķakmeni

871130 apkures sistēmā G11

1 l **37.27** 6772022



Paredzēts, lai aizsargātu slēgtus centrālās apkures kontūrus no korozijas, nogulsņiem, kaļķakmens un lai novērstu aļģu un baktēriju attīstību apkures iekārtās, jo īpaši tajās, kurās ir apsildāmās grīdas. To var izmantot jaunas iekārtas aizsardzībai vai pēc nogulšņu iztīrīšanas jau esošā iekārtā; Piemērots metāliem: nerūsējošais tērauds, varš, misiņš, alumīnijs, čuguns, tērauds, cinkots tērauds; Piemērots plastmasas caurulēm, ko izmanto zemgrīdas apkures sistēmās (PER, PEX, PB, PP, PVC); Aizsargā instalāciju, izveidojot barjeru starp materiāliem un ūdeni. Tas novērš parādības, kas izraisa koroziju, nogulsnes, kaļķakmeni un mikroorganismu attīstību.

Lokanais pievads radiatoru uzpildei

873016 **12.95** 6735007



Nogulšņu noņemšanai esošās apkures sistēmās G30

1 l **18.48** 6772030



Paredzēts apkures sistēmu tīrīšanai. Tas izveido netīrumu suspensiju, lai tos varētu likvidēt ar tīrīšanas un skalošanas palīdzību; Tiek lietots katlu un radiatoru sistēmā, kurā rodas trokšņi, aukstas zonas u.c.; Lieto pirms jaunas sistēmas ekspluatācijas uzsākšanas, lai attīrītu no ražošanas atliekām (metāla skaidas, plūsmas atliekām, šķiedras u.c.); Var lietot PVCC, PER, tērauda, alumīnija, čuguna, čuguna/alumīnija, galvanizēta tērauda, vara, misiņa un/vai nerūsējošā tērauda sistēmā. Nav korozīvs metāliem

Vannas istabas tīrīšanas līdzeklis

500 ml **4.44** 8272003



Paredzēts porcelāna un keramikas flīžu, izlietņu, jaucējkrānu, dušas galviņu, tualetu utt. regulārai tīrīšanai. Viegli noņem visgrūtākās kaļķa nogulsnes un nodrošina virsmu ar dabisku spīdumu. Efektīvi nofira netīrumus, ziepju un ūdens nogulsnes. Lietošanas instrukcija: pagrieziet dozatoru uz SPRAY pozīciju. Izsmidzināt tieši uz virsmas no 15-20 cm attālumaļaujiet līdzeklim 2-3 minūtes iedarboties. Nosalučīt ar mitru drānu vai noskalot ar ūdeni. Uzglabāt oriģinālajā iepakojumā! Sargāt no bērniem! Glabāšanas temperatūra 5°C - 25°C

Roku tīrīšanas līdzeklis CLEAN HARRY GREEN

3263 500 ml. **9.59** 2172002
















Rūpniecisks roku tīrīšanas līdzeklis. Paredzēts, lai notīrītu visgrūtāk tīrāmos traipus: taukus, eļļas, dubļus, krāsas, lakas. Ļoti efektīvs līdzeklis. Pilnībā nofira visu veidu netīrumus no rokām un nagiem. Lieliski piemērots lietošanai mehāniķiem, virpotājiem, celtniekiem, šoferiem, darbiniekiem riepu veikalos, velosipēdistiem, iespaidējiem, u.t.t. Līdzeklis, kas ir nepieciešams katrā garāžā. Tam ir patīkama mandeļu smarža, sviesta konsistence. Krāsa-dzeltena. Satāvs: glicerīns, lanolīns (aitas vilnas vasks). Nesatur abrazīvu. Lietošana: NEMitrināt rokas pirms CLEAN HARRY GREEN lietošanas. Pēc lietošanas nosalučīt rokas ar dvieļi vai nomazgāt ar ūdeni. Līdzekli drīkst izmantot bez ūdens. Iepakojums: 0,5 kg; 5 kg un 10 kg plastmasas spainīši.











Roku tīrīšanas līdzeklis CLEAN HARRY BLUE








3266 500 ml. **4.72** 2172003
























Rūpniecisks roku tīrīšanas līdzeklis. Paredzēts, lai notīrītu visgrūtāk tīrāmos traipus: taukus, eļļas, dubļus, krāsas, lakas. Ļoti efektīvs līdzeklis. Pilnībā nofira visu veidu netīrumus no rokām un nagiem. Lieliski piemērots lietošanai mehāniķiem, virpotājiem, celtniekiem, šoferiem, darbiniekiem riepu veikalos, velosipēdistiem, iespaidējiem, u.t.t. Līdzeklis, kas ir nepieciešams katrā garāžā. Satāvs: glicerīns, lanolīns (aitas vilnas vasks), abrazīvs, kas negrīms ūdenī un nepiesārņo sifonus. Līdzeklim ir daļēji šķidra konsistence, piemīt patīkama citronu smarža. Krāsa-oranža. Lietošana: NEMitrināt rokas pirms lietošanas. Pēc lietošanas nosalučīt rokas dvieļi vai nomazgāt ar ūdeni. Var lietot traukos ar dozatoru. Līdzeklis mazāk efektīvs nekā FELIX vai CLEAN HARRY GREEN. Iepakojums: 0,5 kg; 5 kg un 10 kg plastmasas spainīši.











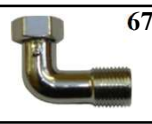


		GAB.	EUR	VEIKALS
	1000G	<i>Stucēris ar ārējo vītni</i>		
	1/4"x10	25	0.94	0925342
	3/8"x10	25	1.28	0925343
	3/8"x13	25	1.28	0925344
	1/2"x10	25	1.61	0925092
	1/2"x13	25	1.61	0925093
	1/2"x15	25	1.61	0925100
	1/2"x18	10	1.67	0925345
	1/2"x20	10	1.61	0925269
	3/4"x20	10	2.70	0925101
	3/4"x25	10	2.82	0925270
	1"x20	10	3.67	0925292
	1"x25	10	3.88	0925094
	1,1/4"x32	5	6.72	0925242
1,1/2"x40	5	11.87	0925243	
2"x50	5	16.13	0925244	
	1001G	<i>Stucēris ar iekšējo vītni</i>		
	1/4"x10	25	0.97	0925346
	3/8"x10	25	1.47	0925347
	1/2"x10	25	1.84	0925095
	1/2"x13	25	1.86	0925096
	1/2"x15	25	1.88	0925097
	1/2"x18	10	2.08	0925348
	1/2"x20	10	1.88	0925271
	3/4"x20	10	2.84	0925098
	3/4"x25	10	2.96	0925272
	1"x25	10	4.31	0925099
	1,1/4"x32	5	9.79	0925245
	1,1/2"x40	5	13.46	0925246
	2"x50	5	24.19	0925247
	1002G	<i>Stucēris divpusējs (eģlīte)</i>		
	1/2"	25	2.03	0925297
	3/4"	25	2.68	0925298
	1"	10	3.98	0925299
	670	<i>Stucēris ar iekšējo vītni (hromēts)</i>		
	3/4"x15		1.26	0921127
	1700G	<i>Piecgabals (90mm)</i>		
	1"x20		3.67	0921128
	1790G	<i>Kontruzgrieznis ar apmali</i>		
	1/2"	25	1.67	0925108
	3/4"	25	1.72	0925109
	1"	10	2.60	0925262
	1,1/4"	10	3.47	0925294
	1,1/2"	10	4.60	0925340
	1791G	<i>Kontruzgrieznis</i>		
	1/2"	50	0.98	0925190
	3/4"	50	1.11	0925191
	3660C	<i>Trīsdalīgs līkums radiatoriem (hromēts)</i>		
	1/2"	10	6.01	0921044
	3/4"	10	8.32	0921045
	1"		13.23	0921046
	3660G	<i>Trīsdalīgs līkums radiatoriem</i>		
	1/2"	10	5.44	0925326
	3/4"	10	10.31	0925327
	1"		13.10	0925328
	1,1/4"		21.76	0925329
	3661C	<i>Taisns trīsdalīgs savienojums (hromēts)</i>		
	1/2"	10	4.47	0921047
	3/4"	10	5.98	0921048
	1"		10.12	0921049
	3661G	<i>Taisns trīsdalīgs savienojums</i>		
	1/2"	10	4.14	0925330
	3/4"	10	6.55	0925331
	1"		11.43	0925332
	1,1/4"		20.19	0925333
	5003G	<i>Pāreja- saskrūve</i>		
	1"x1,1/2"	2	7.05	0925152
	1,1/4"x2"	2	12.50	0925153
	7403G	<i>Taisns trīsdalīgs savienojums</i>		
	1/2"x1/2"	10	5.14	0925260
	3/4"x3/4"	10	7.40	0925263
	1"x1"		11.25	0925261

		GAB.	EUR	VEIKALS
	4025	<i>Saskrūve ar pretvārstu</i>		
	3/4"		7.48	0925315
	7500G	<i>Trīsdalīgs savienojums ar gumijas blīvi</i>		
	1/2"	10	8.14	0925159
	3/4"	5	12.50	0925160
	1"	5	14.00	0925161
	1,1/4"	5	26.05	0925310
	1,1/2"		36.47	0925311
	5006G	<i>Ūdens skaitītāja pieslēguzgrieznis</i>		
	1/2"x3/4"	10	3.14	0925225
	3/4"x1"	5	6.31	0925162
	1"X1,1/4"	5	10.98	0925164
	1,1/4"X1,1/2"	2	17.70	0925165
	5200C	<i>Pāreja ar ārējām vītnēm (hromēta)</i>		
	3/8"x1/2"	25	1.61	0921001
	5200G	<i>Pāreja ar ārējām vītnēm</i>		
	1/8"X1/4"	25	0.89	0925248
	1/4"x3/8"	25	0.98	0925226
	1/4"x1/2"	25	1.26	0925104
	3/8"x1/2"	25	1.26	0925001
	1/2"x3/4"	10	1.79	0925002
	1/2"x1"	10	2.88	0925003
	3/4"x1"	10	2.93	0925004
	3/4"x1,1/4"	10	4.38	0925005
	1"x1,1/4"	10	4.51	0925006
	1"x1,1/2"	10	6.89	0925007
	1"x2"	5	11.18	0925188
	1,1/4"x1,1/2"	5	7.26	0925008
	1,1/4"x2"	5	11.91	0925120
1,1/2"x2"	5	11.39	0925009	
	5300C	<i>Pāreja ar ārējām vītnēm (hromēta)</i>		
	1/8"	25	0.59	0921124
	3/8"	25	1.14	0921120
	1/2"	25	1.28	0921003
	3/4"	10	1.95	0921004
	5300G	<i>Pāreja ar ārējām vītnēm</i>		
	1/8"	25	0.54	0925293
	1/4"	25	0.78	0925112
	3/8"	25	0.96	0925010
	1/2"	25	1.13	0925011
	3/4"	10	1.46	0925102
	1"	10	2.55	0925012
	1,1/4"	10	4.65	0925013
	1,1/2"		6.45	0925014
	2"		11.01	0925015
	5500C	<i>Vītnu pāreja (I-Ā) (hromēta)</i>		
	3/8"x1/2"		0.81	0921077
	1/2"x3/4"		1.06	0921053
	5600C	<i>Vītnu pāreja (I-Ā) (hromēta)</i>		
	3/8"x1/2"	25	1.16	0921006
	1/2"x3/4"	25	1.53	0921007
	1/2"x1"	10	4.00	0921132
	1"x1,1/4"	10	5.43	0921119
	5600G	<i>Vītnu pāreja (I-Ā)</i>		
	1/8"X1/4"	25	0.75	0925103
	1/8"X3/8"	25	0.93	0925194
	1/4"x3/8"	25	0.96	0925227
	1/4"x1/2"	25	1.21	0925105
	3/8"x1/2"	25	0.97	0925016
	1/2"x3/4"	25	1.07	0925017
	1/2"x1"	10	2.51	0925018
	1/2"X1,1/4"	10	5.28	0925020
	1/2"X1,1/2"	5	16.65	0925313
	3/4"X1"	10	2.07	0925019
	3/4"x1,1/4"	10	4.29	0925021
	3/4"x1,1/2"	10	6.43	0925023
	1"x1,1/4"	10	3.60	0925022
	1"x1,1/2"	10	5.73	0925024
	1"x2"	5	10.87	0925026
1,1/4"x1,1/2"	5	4.58	0925025	
1,1/4"x2"		8.66	0925027	
1,1/2"x2"		8.56	0925028	

		GAB.	EUR	VEIKALS
	5700C	<i>Korkis ar iekšējo vītņi (hromēts)</i>		
		1/2"	25	1.09 0921008
		3/4"	25	1.61 0921009
	5700G	<i>Korkis ar iekšējo vītņi</i>		
		1/4"	25	0.79 0925113
		3/8"	25	0.72 0925029
		1/2"	25	0.91 0925030
		3/4"	25	1.10 0925031
		1"	10	1.77 0925032
		1,1/4"	10	3.09 0925033
		1,1/2"	10	4.13 0925034
	5803C	<i>Korkis ar ārējo vītņi (hromēts)</i>		
		1/2"	25	1.03 0921010
		3/4"	25	1.61 0921011
	5803G	<i>Korkis ar ārējo vītņi</i>		
		1/4"	25	0.66 0925114
		3/8"	25	0.82 0925115
		1/2"	25	1.07 0925035
		3/4"	25	1.61 0925036
		1"	10	2.70 0925037
		1,1/4"	10	4.18 0925038
		1,1/2"	10	5.98 0925039
	6003C	<i>Pagarinātājs (hromēts)</i>		
		1/2"x10	25	1.60 0921012
		1/2"x15	25	2.10 0921051
		1/2"x20	10	2.37 0921013
		1/2"x25	10	2.81 0921122
		1/2"x30	10	3.08 0921014
		1/2"x40	10	3.72 0921015
		1/2"x50	10	4.60 0921016
		1/2"x65	10	5.49 0921017
		1/2"x80	10	11.03 0921125
		1/2"x100	10	14.07 0921126
		3/4"x10	25	2.23 0921115
		3/4"x20	25	2.95 0921116
		3/4"x30	10	3.94 0921018
		3/4"x40	10	5.00 0921117
		3/4"x50	10	5.72 0921019
		1"x10	10	3.51 0921078
		1"x15	10	3.98 0921079
		1"x20	10	4.60 0921080
		1"x25	10	5.28 0921081
		1"x30	10	6.00 0921082
		1"x40	5	7.42 0921083
1"x50	5	8.98 0921084		
	6003G	<i>Pagarinātājs</i>		
		1/2"x10	25	1.40 0925041
		1/2"x15	25	1.74 0925042
		1/2"x20	10	2.03 0925043
		1/2"x25	10	2.23 0925233
		1/2"x30	10	2.58 0925044
		1/2"x40	10	3.26 0925045
		1/2"x50	10	4.10 0925046
		1/2"x65	10	4.70 0925047
		1/2"x80	10	7.77 0925234
		1/2"x100	10	9.47 0925235
		3/4"x10	10	2.03 0925048
		3/4"x15	10	3.04 0925304
		3/4"x20	10	2.84 0925049
		3/4"x30	10	3.63 0925050
		3/4"x40	10	4.44 0925051
		3/4"x50	10	4.93 0925052
		3/4"x60	10	9.99 0925305
		3/4"x80	10	12.68 0925306
		1"x20	10	4.23 0925229
		1"x25	10	5.21 0925163
		1"x30	10	5.42 0925230
1"x40	5	6.26 0925231		
1"x50	5	7.58 0925232		
	6006G	<i>Pagarinātājs</i>		
		1/2"x10	10	1.11 0925154
		1/2"x15	10	1.27 0925155
		1/2"x20	10	1.60 0925156
		1/2"x30	10	2.21 0925157
		1/2"x40	10	2.54 0925158













		GAB.	EUR	VEIKALS		
	6100C	<i>Vītņu pāreja (A-I) (hromēta)</i>				
		3/8"x1/2"	25	1.75 0921020		
		1/2"x3/4"	10	2.26 0921021		
		1/2"x1"	10	2.82 0921022		
		3/4"x1"	10	3.24 0921023		
	6100G	<i>Vītņu pāreja (A-I)</i>				
		3/4"x1,1/4"	10	4.22 0921054		
		1/4"x3/8"	25	1.32 0925236		
		1/4"x1/2"	25	1.28 0925237		
		3/8"x1/2"	25	1.67 0925193		
	6200C	<i>Uzmava (hromēta)</i>				
		1/2"x3/4"	10	1.98 0921024		
		3/4"	10	2.73 0921025		
		1"	10	4.24 0921026		
			6200G	<i>Uzmava</i>		
				1/4"		0.96 0925238
				3/8"		1.26 0925057
				1/2"	10	1.68 0925058
				3/4"	10	2.23 0925059
1"	10			3.88 0925060		
	6203C	<i>Uzmava ar pāreju (I-I) (hromēta)</i>				
		1,1/4"		4.84 0925061		
		1,1/2"		7.88 0925062		
		2"		12.99 0925063		
			6203G	<i>Uzmava ar pāreju (I-I)</i>		
3/8"x1/2"	25			1.81 0921027		
1/2"x3/4"	10			2.72 0921028		
1/2"x1"	10			3.77 0921029		
3/4"x1"	10			4.60 0921030		
3/4"x1,1/4"				7.85 0921031		
1"x1,1/4"				6.91 0921032		
	6300C	<i>Līkums (I-A) (hromēts)</i>				
		3/8"	25	3.09 0921033		
		1/2"	10	3.31 0921034		
		3/4"	10	4.93 0921050		
		1"		7.30 0921035		
		1,1/4"		16.37 0921052		
		1,1/2"		20.16 0921118		
	6300G	<i>Līkums (I-A)</i>				
		1/4"	25	2.19 0925239		
		3/8"	25	2.33 0925070		
		1/2"	10	2.46 0925071		
		3/4"	10	4.14 0925074		
		1"		6.02 0925072		
		1,1/4"		11.42 0925073		
	6303G	<i>Līkums ar pāreju (I-A)</i>				
		1,1/2"		14.63 0925119		
		2"		27.38 0925189		
	6400C	<i>Līkums (I-I) (hromēts)</i>				
		1/2"x3/4"	10	4.10 0925265		
		3/4"x1"	10	6.09 0925266		
		3/8"		2.88 0921036		
		1/2"	10	3.55 0921037		
3/4"	10	4.40 0921038				
1"		7.65 0921039				









		GAB.	EUR	VEIKALS
	6400G <i>Likums (I-I)</i>			
	1/4"	25	2.15	0925240
	3/8"	10	2.27	0925075
	1/2"	10	2.67	0925076
	3/4"	10	3.67	0925077
	1"		6.44	0925078
	1,1/4"		10.24	0925079
	1,1/2"		14.80	0925080
2"		26.55	0925081	
	6402G <i>Likums (A-A)</i>			
	1/2"	10	3.41	0925274
	3/4"	10	4.86	0925275
1"	10	8.14	0925276	
	3402G <i>Likums (A-A)</i>			
	1/2"	10	3.65	0925316
	3/4"	10	6.25	0925317
1"	10	9.68	0925318	
	6403G <i>Likums ar pāreju(I-I)</i>			
	1/2"x3/4"	10	4.31	0925195
	1/2"x1"	10	9.01	0925196
3/4"x1"	10	7.95	0925197	
	6306G <i>Likums ar sienas stiprinājumu (I-Ā)</i>			
1/2"	10	5.44	0925264	
	6406G <i>Likums ar sienas stiprinājumu (I-I)</i>			
1/2"	10	4.02	0925277	
	6500C <i>Treigabals (I-I-I)(hromēts)</i>			
	3/8"	10	3.39	0921040
	1/2"	10	3.42	0921041
	3/4"	10	5.23	0921042
1"		8.35	0921043	
	6500G <i>Treigabals (I-I-I)</i>			
	1/4"	25	2.64	0925241
	3/8"	10	2.76	0925082
	1/2"	10	2.79	0925083
	3/4"	10	3.90	0925084
	1"		7.14	0925085
	1,1/4"		12.17	0925086
	1,1/2"		17.98	0925087
2"		23.46	0925088	
	6502G <i>Treigabals (Ā-Ā-Ā)</i>			
	1/2"	10	4.63	0925267
	3/4"	10	4.26	0925268
1"	10	8.26	0925291	
	6510G <i>Treigabals (I-I-Ā)</i>			
	1/2"	10	3.00	0925278
	3/4"	10	4.58	0925279
1"	10	9.72	0925319	
	6511G <i>Treigabals (Ā-I-Ā)</i>			
	1/2"	10	3.14	0925280
3/4"	10	5.28	0925281	

	6512G <i>Treigabals (I-A-A)</i>			
	1/2"	10	3.15	0925282
3/4"	10	5.28	0925283	
	6513G <i>Treigabals (I-Ā-I)</i>			
	1/2"	10	3.07	0925273
3/4"	10	4.58	0925284	
	6503G <i>Treigabals ar pāreju (I-I-I)</i>			
	3/4"x1/2"x3/4"	10	4.88	0925089
	1"x1/2"x1"	5	8.30	0925090
1"x3/4"x1"	5	8.26	0925091	
	6506G <i>Krusts</i>			
	1/2"	10	5.10	0925118
	3/4"	5	7.77	0925116
1"		11.96	0925117	
	1750G <i>Tvertnes starpsienu savienojums</i>			
	1/2"		6.72	0925285
3/4"		8.65	0925286	
	1760G <i>Tvertnes starpsienu savienojums</i>			
	1/2"		6.09	0925287
3/4"		7.38	0925288	
	1770G <i>Tvertnes starpsienu savienojums</i>			
	1/2"	10	4.51	0925289
	3/4"	10	5.15	0925290
1"	5	8.00	0925355	
	644 <i>Uzmavas atzare</i>			
	1/2"		10.00	0925320
3/4"		13.40	0925321	
	1308 <i>Uzmavas atzare</i>			
	1/2"x1/2"	16	7.96	0925322
	1/2"x3/4"	12	9.66	0925323
	1/2"x1"		13.86	0925324
3/4"x1"		15.54	0925325	
	7600 <i>Ekscentrs (hromēts)</i>			
	1/2"x10	10	5.86	0921071
	1/2"x20	10	8.84	0921072
	1/2"x30	10	9.26	0921073
	1/2"x40	10	9.52	0921074
	1/2"x50	10	10.07	0921075
1/2"x60	10	11.31	0921076	
	6700C <i>Likums WC pieslēgšanai (hromēts)</i>			
1/2"x1/2"		5.51	0921085	
	6800C <i>Likums WC pieslēgšanai (hromēts)</i>			
1/2"x10		6.29	0921086	
	6801C <i>Likums WC pieslēgšanai (hromēts)</i>			
1/2"x10		6.29	0921087	










GAB. EUR VEIKALS

GAB. EUR VEIKALS









	6804 C	<i>Līkums (IV) ar pāreju uz cauruli</i>		
	1/2"x10	10	3.94	0921093
	1/2"x12	10	3.94	0921094
	6900C	<i>Pāreja ārējā vītne uz cauruli (hromēta)</i>		
	1/2"x10	25	2.35	0921065
	1/2"x12	25	2.34	0921066
	6901C	<i>Uzmava (hromēta)</i>		
	10x10	25	3.02	0921067
	12x12	25	3.16	0921070
	6902C	<i>Pāreja iekšējā vītne uz cauruli (hromēta)</i>		
	1/2"x10	25	2.75	0921068
	1/2"x12	25	2.95	0921069
	6904C	<i>Līkums 90° (hromēts)</i>		
	10x10	10	4.55	0921061
	12x12	10	4.86	0921113
	6905C	<i>Trejšgabals (hromēts)</i>		
	10x10x10	10	6.00	0921062
	12x12x12	10	7.15	0921114
	1176	<i>Kompresijas savienojums</i>		
	3/8"x10		1.85	0921129
	6906C	<i>Caurule rullī 5m (hromēta)</i>		
	ø10		49.91	0921063
	ø12		62.11	0921064
	18	<i>Caurule taisnā (hromēta)</i>		
	ø10x100		11.11	0921130
	3010G	<i>Pāreja ar ārējo vītņi</i>		
	1/2"x20	75	3.98	0918001
	3/4"x25	50	4.95	0918002
	1"x32	20	7.75	0918003
	1,1/4"x40	14	11.60	0918004
	1,1/2"x50	9	17.42	0918005
	2"x63	12	34.63	0918006
	3011G	<i>Pāreja ar iekšējo vītņi</i>		
	1/2"x20	75	4.05	0918007
	3/4"x25	50	5.37	0918008
	1"x32	20	8.30	0918009
	1,1/4"x40	14	12.03	0918010
	1,1/2"x50	9	17.52	0918011
	2"x63	12	35.32	0918012
	3012G	<i>Uzmava</i>		
	20x20	40	6.81	0918013
	25x25	30	9.05	0918014
	32x32	18	13.43	0918015
	40x40	7	19.08	0918016
	50x50	4	29.45	0918017
	63x63		60.19	0918018

	3013G	<i>Līkums</i>		
	20x20	35	7.73	0918019
	25x25	20	10.02	0918020
	32x32	12	15.38	0918021
	40x40	6	23.48	0918022
	50x50	8	36.52	0918023
	63x63		68.42	0918024
	3014G	<i>Līkums ar iekšējo vītņi</i>		
	1/2"x20	50	4.88	0918025
	3/4"x25	35	6.72	0918026
	1"x32	18	10.73	0918027
	1,1/4"x40	10	16.97	0918028
	1,1/2"x50	5	28.74	0918029
	2"x63		47.56	0918030
	3015G	<i>Līkums ar ārējo vītņi</i>		
	1/2"x20	50	5.05	0918031
	3/4"x25	35	6.79	0918032
	1"x32	18	10.47	0918033
	1,1/4"x40	10	15.78	0918034
	1,1/2"x50	5	26.22	0918035
	2"x63		49.42	0918036
	3016G	<i>Trejšgabals</i>		
	20x20x20	20	10.61	0918037
	25x25x25	16	13.77	0918038
	32x32x32	8	21.73	0918039
	40x40x40	10	31.34	0918040
	50x50x50		52.67	0918041
	63x63x63		99.21	0918042
	3017G	<i>Trejšgabals ar iekšējo vītņi</i>		
	20x1,1/2"x20	30	7.97	0918043
	25x3/4"x25	22	10.63	0918044
	32x1"x32	8	16.58	0918045
	40x1,1/4"x40	5	25.58	0918046
	50x1,1/2"x50	6	44.21	0918047
	63x2"x63		77.34	0918048
	3018G	<i>Pastiprinājums</i>		
	PP20	10	0.96	0918049
	PP25	10	1.09	0918050
	PP32	10	1.32	0918051
	PP40	10	2.23	0918052
	PP50	10	3.65	0918053
	PP63	10	6.58	0918054
	3019G	<i>Līkums ar sienas stiprinājumu</i>		
	1/2"x20	25	6.86	0918055
	3/4"x25	20	8.18	0918056
	1"x32	12	12.57	0918057
	<i>Polietilēna caurule PN12,5</i>			
	20x2,0;	100 m	1.04	2518001
	20x2,0;	500 m	0.94	2518012
	25x2,3;	100 m	1.33	2518002
	25x2,3;	500 m	1.33	2518013
	32x3,0;	100 m	1.57	2518003
	32x3,0;	500 m	1.57	2518014
	40x3,0;	100 m	2.30	4218001
	40x3,7;	100 m	2.89	2518005
	50x3,0;	100 m	2.69	4218003
	50x4,6;	100 m	4.33	2518004
	63x3,8;	100 m	4.90	2518006

GAB. EUR VEIKALS









<i>Bezvītnes pāreja tērauda caurulei</i>				
	3100N			
	1/2"	10	8.14	0921095
	3/4"	30	10.22	0921096
	1"	20	14.86	0921097
	1,1/4"	12	22.84	0921098
	1,1/2"	8	27.18	0921099
	2"	5	39.16	0921100
<i>Bezvītnes pāreja tērauda caurulei</i>				
	3101N			
	1/2"	10	8.42	0921101
	3/4"	30	10.54	0921102
	1"	20	14.86	0921103
	1,1/4"	12	22.84	0921104
	1,1/2"	8	27.18	0921105
	2"	5	39.59	0921106
<i>Bezvītnes uzmava tērauda caurulei</i>				
	3102N			
	1/2"	10	13.75	0921107
	3/4"	30	16.31	0921108
	1"	12	22.59	0921109
	1,1/4"		32.70	0921110
	1,1/2"	6	35.95	0921111
	2"	4	57.61	0921112
<i>Montāžas plāksne jaucējkrānam</i>				
4476 B/2		20	1.47	0925335
				
<i>Montāžas plāksne jaucējkrānam</i>				
4476 B/3		20	2.26	0925336
				
<i>Montāžas plāksne ar 2 līkumiem</i>				
4476 C/6	1/2"x1/2"	20	9.26	0925337
				
<i>Montāžas plāksne ar 2 līkumiem</i>				
4476 C/7	1/2"x15	20	8.57	0925339
				
	DS IBC		<i>Tvertnes vāciņš</i>	
	1/2"		2.50	2363107
	3/4"		2.50	2363105
	1"		2.50	2363106
				
<i>Cenas par vienu gab., bez dārza krāna</i>				



GAB. EUR VEIKALS

<i>Isā vītne</i>				
	7100G			
	1/2"x50	10	2.03	0925171
	1/2"x60	10	2.37	0925172
	1/2"x80	10	3.21	0925173
	1/2"x100	10	4.02	0925174
	1/2"x120	10	4.76	0925175
	1/2"x150	10	6.04	0925176
	3/4"x60	10	3.63	0925177
	3/4"x80	10	4.76	0925178
	3/4"x100	10	6.00	0925179
	3/4"x120	10	7.21	0925181
	3/4"x150	10	9.06	0925180
1"x100	5	7.36	0925349	
1"x150	5	11.66	0925350	
<i>Garā vītne</i>				
	7103G			
	1/2"x100	10	4.56	0925182
	1/2"x150	10	6.19	0925183
	1/2"x200	10	9.55	0925295
	3/4"x100	10	6.04	0925184
	3/4"x150	10	9.07	0925185
	3/4"x200	10	11.92	0925296
	1"x100	10	8.26	0925186
	1"x150	10	12.29	0925187
<i>Kolektors (att. starp urb. 50mm)</i>				
	7050G			
	3/4"x2	16	13.82	0934002
	3/4"x3	16	20.04	0934003
	3/4"x4	16	26.46	0934004
	3/4"x5	10	32.84	0934005
	3/4"x6	10	39.14	0934006
	1"x4	8	29.82	0934007
	1"x5	8	36.80	0934008
	1"x6		45.36	0934009
<i>Kolektors ar ārējām vītņēm</i>				
	3740			
	3/4"x2		7.99	0634001
	3/4"x3		11.05	0634002
	3/4"x4		14.44	0634003
	3/4"x5		19.99	0634004
	1"x2		10.62	0634005
	1"x3		13.49	0634006
	1"x4		18.27	0634007
1"x5		23.98	0634008	
<i>Kolektors ar krāniem</i>				
	7002C			
	3/4"x2		14.55	0934010
	3/4"x3		21.57	0934011
	3/4"x4		28.90	0934012
	1"x2		17.16	0934013
	1"x3		25.11	0934014
1"x4		33.53	0934015	
<i>Kolektors ar krāniem</i>				
	3745			
	3/4"x2	5	15.97	0634009
	3/4"x3	5	23.97	0634010
	3/4"x4	5	30.59	0634011
	1"x2	5	18.23	0634012
	1"x3	5	28.45	0634013
1"x4	5	37.43	0634014	
<i>Kolektors ar pieslēguzgriezni</i>				
	7001 MIKY			
	3/4"x2	20	21.91	0934016
	3/4"x3	16	29.85	0934017
	3/4"x4	10	37.94	0934018
	3/4"x5	10	43.81	0934019
3/4"x6	10	53.80	0934020	
<i>Montāžas korķis</i>				
	2135 S/Z			
	1/2"	25	0.59	3936320

GAB. VEIKALS
EUR








GAB. VEIKALS
EUR

	5001	<i>Līkums I-Ā gar. 90°</i>		
	12	10	1.03	7033001
	15	10	0.57	7033002
	18	10	1.32	7033003
	22	10	1.55	7033004
	28	10	4.38	7033005
	35	10	7.65	7033190
	5002	<i>Līkums I-I gar. 90°</i>		
	12	10	0.71	7033006
	15	10	0.59	7033007
	18	10	0.86	7033008
	22	10	1.33	7033009
	28	10	2.05	7033010
	35	10	7.01	7033191
	5040	<i>Līkums I-Ā 45°</i>		
	12	10	1.49	7033011
	15	10	0.47	7033012
	18	10	1.60	7033013
	22	10	1.55	7033014
	28	10	3.03	7033015
	35	10	6.56	7033202
	5041	<i>Līkums I-I 45°</i>		
	12	10	2.12	7033016
	15	10	0.59	7033017
	18	10	1.42	7033018
	22	10	1.61	7033019
	28	10	2.94	7033020
	35	10	6.21	7033192
	5085	<i>Pārliiekums</i>		
	12	10	4.48	7033021
	15	10	3.37	7033022
	18	10	9.37	7033023
	22	10	7.81	7033024
	5086	<i>Puspārliiekums</i>		
	12	10	4.02	7033025
	15	10	3.09	7033026
	18	10	4.91	7033027
	22	10	6.77	7033028
	5090	<i>Līkums I-I 90°</i>		
	12	10	0.62	7033029
	15	10	0.50	7033030
	18	10	0.71	7033031
	22	10	1.16	7033032
	28	10	2.14	7033033
	35	10	8.56	7033193
	5092	<i>Līkums I-Ā 90°</i>		
	12	10	0.83	7033034
	15	10	0.63	7033035
	18	10	1.31	7033036
	22	10	2.23	7033037
	28	10	3.48	7033038
	35	10	8.48	7033194









	5130	<i>Treigabals</i>		
	12	10	1.30	7033039
	15	10	0.79	7033040
	18	10	1.50	7033041
	22	10	2.61	7033042
	28	10	4.86	7033043
	35	10	12.66	7033203
	5130	<i>Treigabals-pāreja</i>		
	15*12*12	10	1.51	7033044
	15*12*15	10	1.19	7033045
	15*15*12	10	1.93	7033046
	15*18*15	10	2.95	7033047
	15*22*15	10	3.84	7033048
	18*12*12	10	4.22	7033049
	18*12*15	10	7.61	7033050
	18*12*18	10	3.31	7033051
	18*15*12	10	4.84	7033052
	18*15*15	10	1.42	7033053
	18*15*18	10	1.76	7033054
	18*18*12	10	4.04	7033055
	18*18*15	10	1.71	7033056
	18*22*18	10	4.03	7033057
	22*12*18	10	6.91	7033058
	22*12*22	10	2.57	7033059
	22*15*15	10	2.60	7033060
	22*15*18	10	4.49	7033061
	22*15*22	10	2.10	7033062
	22*18*15	10	5.74	7033063
	22*18*18	10	3.11	7033064
	22*18*22	10	3.39	7033065
	22*22*15	10	6.16	7033066
22*22*18	10	7.23	7033067	
28*15*15	10	7.03	7033068	
28*15*22	10	6.80	7033069	
28*15*28	10	5.07	7033070	
28*18*15	10	12.66	7033071	
28*18*18	10	18.33	7033072	
28*18*22	10	6.78	7033073	
28*18*28	10	8.25	7033074	
28*22*15	10	10.74	7033075	
28*22*18	10	6.76	7033076	
28*22*22	10	5.53	7033077	
28*22*28	10	5.15	7033078	
28*28*15	10	10.65	7033079	
28*28*18	10	9.24	7033080	
28*28*22	10	7.33	7033081	
35*22*22	10	19.55	7033208	
35*28*35	10	12.66	7033195	
35*35*28	10	21.11	7033209	

GAB. EUR VEIKALS

GAB. EUR VEIKALS

	5243	<i>Mufe ar pāreju I-Ā</i>		
	15*12	10	0.72	7033082
	18*12	10	0.70	7033083
	18*15	10	0.64	7033084
	22*12	10	1.57	7033085
	22*15	10	1.15	7033086
	22*18	10	1.22	7033087
	28*15	10	4.24	7033088
	28*18	10	4.77	7033089
28*22	10	1.94	7033090	
	5240	<i>Mufe ar pāreju I-I</i>		
	15*12	10	1.06	7033091
	18*12	10	0.94	7033092
	18*15	10	0.90	7033093
	22*15	10	2.41	7033094
	22*18	10	1.50	7033095
	28*15	10	2.97	7033096
	28*18	10	2.93	7033097
	28*22	10	2.37	7033098
35*22	10	5.93	7033196	
	5270	<i>Mufe</i>		
	12	10	0.33	7033099
	15	10	0.32	7033100
	18	10	0.40	7033101
	22	10	0.64	7033102
	28	10	1.52	7033103
	5301	<i>Korķis</i>		
	12	10	1.17	7033104
	15	10	0.92	7033105
	18	10	1.10	7033106
	22	10	1.93	7033107
	28	10	3.61	7033108
	<i>Kapara caurule cietā 5 m (1 mm)</i>			
	99B12		8.47	7033214
	99B15		11.66	7033215
	99B18		14.27	7033216
	99B22		18.33	7033217
	99B28		24.51	7033218
	99B35		31.46	7033219
	<i>Kapara caurule mīkstā rullī 25m</i>			
	99A10	50	6.04	7033211
	99A12	50	7.23	7033212
	99A15	25	8.43	7033213
	<i>Birstūte kapara cauruļu tīrīšanai</i>			
	15mm	12	4.15	1735002
	18mm	12	3.84	1735003
	22mm	12	4.02	1735004
28mm	12	5.85	1735005	

	5001C	<i>Svammīte cauruļu tīrīšanai</i>		
		10	5.02	1735001
	331184	<i>PE cauruļu gala frēze</i>		
		20-63 mm	19.06	2535030
	4476C/7	<i>Montāžas plāksne</i>		
	1/2"*15mm	20	8.57	0925339
	<i>Alva lodēšanai SN9</i>			
	100 gr	815708	20.88	6735004
	<i>Kusnis lodēšanai ar alvu "HAMPTON"</i>			
	Kusnis lodēšanai ar alvu. Satur cinka hlorīdu. Paredzēts dzelzs, tērauda, čuguna, vara, bronzas, misiņa, cinka u.c. metālu lodēšanai izņemot alumīniju! Aktivizējas pie +75°C līdz +375°C.			
175 gr	100111	11.48	6735002	
	<i>Līme vara un misiņa savienojumiem "RLC+"</i>			
	30 ml	814655	17.53	6766046
RLC+ ir blīvēšanas sveķi, kas piemēroti: Vara caurules/vara un misiņa veidgabali līdz D28; Apkurei, mājas karstajam un aukstajam ūdenim; Pilnīga uzstādīšana bez pieslēgumu skaita un renovācijas ierobežojuma; Piemērots objektos, kur liesmas ir aizliegtas (slimnīcas, lidostas); Pabeidziet līmēšanu, lai pastiprinātu savienojumu hermētiskumu vecajos tīklos				
	<i>Cauruļu izolācija</i>			
	110022	15/9	0.53	3081001
	110042	18/9	0.55	3081002
	110062	22/9	0.59	3081003
		25/9	0.71	3081013
	110101	28/9	0.71	3081004
	110142	35/9	0.80	3081005
	110159	42/9	0.95	3081008
	110172	48/9	1.15	3081010
	110201	54/9	1.39	3081009
	110246	60/9	1.43	3081006
	110225	76/9	3.43	3081007
		15/13		
		18/13	0.88	5081021
	82012022	22/13	0.94	5081001
	82013028	28/13	1.11	5081002
	82013035	35/13	1.49	5081003
82013042	42/13	1.53	5081004	
	48/13			
82013054	54/13	2.01	5081008	
82013063	63/13	2.40	5081005	
	<i>Auduma, mitrumizturīga limlenta, pelēka (Folsen)</i>			
	48mmx50m		8.06	2566019

	4090G	<i>Līkums IV 90°</i>	
	12*1/2"	10	1.68 7033109
	15*1/2"	10	2.29 7033110
	15*3/4"	10	2.35 7033111
	18*1/2"	10	3.07 7033112
	18*3/4"	10	4.66 7033113
	22*1/2"	10	2.95 7033114
	22*3/4"	10	5.16 7033115
	22*1"	10	7.14 7033116
	28*3/4"	10	8.39 7033117
28*1"	10	8.70 7033118	
	4092G	<i>Līkums AV 90°</i>	
	12*1/2"	10	2.08 7033119
	15*1/2"	10	2.17 7033120
	18*1/2"	10	3.93 7033121
	15*3/4"	10	4.59 7033122
	18*3/4"	10	5.53 7033123
	22*3/4"	10	5.71 7033124
22*1"	10	9.15 7033125	
28*1"	10	7.88 7033126	
	4096G	<i>Lod. savienojums ar piesl. IV</i>	
	15*1/2"	10	4.68 7033127
	18*1/2"	10	10.67 7033128
	22*3/4"	10	19.87 7033129
	4098G	<i>Lod. savienojums ar piesl. AV</i>	
	15*1/2"	10	2.86 7033131
	18*1/2"	10	8.18 7033132
	22*3/4"	10	8.92 7033133
28*1"	10	10.61 7033134	
	4130G	<i>Trejšgabals IV</i>	
	12*1/2"*12	10	2.40 7033135
	15*1/2"*15	10	2.03 7033136
	15*3/4"*15	10	6.61 7033137
	18*1/2"*18	10	3.74 7033138
	18*3/4"*18	10	4.13 7033139
	22*1/2"*22	10	8.46 7033140
	22*3/4"*22	10	6.05 7033141
	28*1/2"*28	10	7.78 7033142
28*3/4"*28	10	14.86 7033143	
28*1"*28	10	14.76 7033144	
	4243G	<i>Pāreja AV</i>	
	10*3/8	10	4.03 7033206
	12*1/2"	10	1.60 7033145
	15*1/2"	10	1.13 7033146
	15*3/4"	10	1.55 7033147
	18*1/2"	10	1.52 7033148
	18*3/4"	10	1.86 7033149
	22*1/2"	10	2.89 7033150
	22*3/4"	10	2.25 7033151
	22*1"	10	2.80 7033152
	28*3/4"	10	4.95 7033153
	28*1"	10	3.24 7033154
	28*1.1/4"	10	7.28 7033225
35*1"	10	7.00 7033198	
35*1.1/4"	10	5.79 7033199	
	4340	<i>Lod. savienojums ar piesl.</i>	
	12	10	4.56 7033155
	15	10	6.96 7033156
	18	10	8.12 7033157
	22	10	12.69 7033158
28	10	21.82 7033159	
	4472G	<i>Līkums ar sienas stiprinājumu</i>	
	12*1/2"	10	3.20 7033186
	15*1/2"	10	2.11 7033187
	18*1/2"	10	2.28 7033188
22*3/4"	10	5.32 7033189	








	4270G	<i>Pāreja IV</i>		
	12*1/2"	10	2.24	7033160
	15*1/2"	10	1.61	7033161
	15*3/4"	10	4.45	7033162
	18*1/2"	10	2.20	7033163
	18*3/4"	10	3.71	7033164
	22*1/2"	10	3.12	7033165
	22*3/4"	10	3.19	7033166
	22*1"	10	4.17	7033167
	28*3/4"	10	6.28	7033168
28*1"	10	4.80	7033169	
35*1"	10	9.76	7033200	
35*1.1/4"	10	9.24	7033201	
	4340G	<i>Lod. savienojums ar piesl. IV</i>		
	12*1/2"	10	10.41	7033170
	15*1/2"	10	8.34	7033171
	15*3/4"	10	9.86	7033172
	18*1/2"	10	13.42	7033173
	18*3/4"	10	9.13	7033174
	22*3/4"	10	11.41	7033175
22*1"	10	15.09	7033176	
28*1"	10	17.42	7033177	
	4341G	<i>Lod. savienojums ar piesl. AV</i>		
	12*1/2"	10	4.48	7033178
	15*1/2"	10	7.74	7033179
	15*3/4"	10	11.52	7033180
	18*1/2"	10	7.99	7033181
	18*3/4"	10	6.60	7033182
	22*3/4"	10	10.05	7033183
22*1"	10	11.21	7033184	
28*1"	10	17.65	7033185	
	<i>Kapara caurule cietā 5 m</i>			
	99B12	1 mm	8.47	7033214
	99B15	1 mm	11.66	7033215
	99B18	1 mm	14.27	7033216
	99B22	1 mm	18.33	7033217
	99B28	1 mm	24.51	7033218
	99B35	1 mm	31.46	7033219
	<i>Kapara caurule mīkstā rullī 25m</i>			
	99A10	50	6.04	7033211
	99A12	50	7.23	7033212
	99A15	25	8.43	7033213
	<i>Birstīte kapara cauruļu tīrīšanai</i>			
	15mm	1026	12	4.15 1735002
	18mm	1027	12	3.84 1735003
	22mm	1028	12	4.02 1735004
	28mm	1029	12	5.85 1735005
	5001C	<i>Svammīte cauruļu tīrīšanai</i>		
		10	5.02	1735001
	331184	<i>PE cauruļu gala frēze</i>		
		20-63 mm	19.06	2535030
	4476C/7	<i>Montāžas plāksne</i>		
		1/2"*15mm	20	8.57 0925339











VEIKALS

VEIKALS

GAB. EUR

GAB. EUR ITĀLIJA

	7230	<i>Presējams savienojums ar ārējo vītņi</i>		
	1/2"x16	10	2.45	0919001
	1/2"x20	10	2.95	0919002
	3/4"x16	10	3.06	0919003
	3/4"x20	10	3.48	0919004
	3/4"x26	5	4.63	0919005
	1"x26	5	6.38	0919006
	1"x32	5	8.15	0919007
	7231	<i>Presējams savienojums ar iekšējo vītņi</i>		
	1/2"x16	10	2.44	0919008
	1/2"x20	10	2.85	0919009
	3/4"x16	10	3.99	0919010
	3/4"x20	10	3.49	0919011
	3/4"x26	5	5.43	0919012
	1"x26	5	6.79	0919013
	1"x32	5	8.42	0919014
	7232	<i>Presējama uzmava</i>		
	16x16	10	2.92	0919015
	20x20	10	3.66	0919016
	26x26	5	7.20	0919017
	32x32	5	10.87	0919018
	20x16	10	3.81	0919019
	26x20	5	7.06	0919020
32x26	5	10.87	0919021	
	7236	<i>Presējams trejgabals</i>		
	16x16x16	10	4.64	0919022
	20x20x20	5	6.75	0919023
	26x26x26	2	12.23	0919024
	32x32x32	2	19.70	0919025
	20x16x16	5	7.47	0919026
	20x16x20	5	7.47	0919027
	20x20x16	5	7.47	0919028
	20x26x20	5	12.23	0919029
	26x16x26	5	12.23	0919030
	26x20x20	5	12.23	0919031
	26x20x26	5	12.23	0919032
	26x26x20	5	12.23	0919033
	32x20x32	2	20.38	0919034
32x26x32	2	20.65	0919035	
	7237	<i>Presējams trejgabals ar iekšējo vītņi</i>		
	16x1/2"x16	5	4.85	0919036
	20x1/2"x20	5	6.41	0919037
	20x3/4"x20	5	6.97	0919038
	26x3/4"x26	5	10.87	0919039
	26x1"x26	5	11.56	0919040
	32x1"x32	2	16.30	0919041
	7238	<i>Presējams trejgabals ar ārējo vītņi</i>		
	16x1/2"x16	5	4.95	0919042
	20x1/2"x20	5	7.20	0919043
	26x3/4"x26	5	10.87	0919044
	26x1"x26	5	12.39	0919045
32x1"x32	5	16.85	0919046	
	7233	<i>Presējams līkums</i>		
	16x16	10	3.25	0919047
	20x20	5	4.57	0919048
	26x26	5	8.56	0919049
	32x32	5	11.55	0919050










	7234	<i>Presējams līkums ar iekšējo vītņi</i>		
	1/2"x16	10	3.30	0919051
	1/2"x20	10	4.04	0919052
	3/4"x20	10	5.48	0919053
	3/4"x26	5	7.60	0919054
	1"x26	5	8.68	0919055
	1"x32	2	10.05	0919056
	7235	<i>Presējams līkums ar ārējo vītņi</i>		
	1/2"x16	10	3.27	0919057
	1/2"x20	10	4.08	0919058
	3/4"x20	10	5.48	0919059
	3/4"x26	5	7.60	0919060
	1"x26	5	8.68	0919061
	1"x32	2	10.46	0919062
	7239	<i>Presējams līkums ar sienas stiprinājumu</i>		
	1/2"x16	5	4.18	0919063
1/2"x20	5	5.43	0919064	
	7246	<i>Presējama pāreja, saskrūve</i>		
	1/2"x16	10	3.78	0919065
1/2"x20	10	5.01	0919066	
	3813 M	<i>Kalibrators</i>		
	D16	1	11.39	6435003
	D20	1	6.94	6435001
	D26	1	6.94	6435002
	D12-16	1	11.45	6435005
	3813M	<i>Kalibrators D12-D26</i>		
		1	9.52	6435004
	3813	<i>Kalibrators</i>		
			3.53	0935001
	7271	<i>PEX-AL-PEX caurule Itālija</i>		
	16x2,0	100 m	1.47	0919130
	20x2,0	100 m	2.19	0919131
	26x3,0	50 m	4.14	0919132
	7271F	<i>PEX-AL-PEX caurule Ķīna</i>		
	26x3,0	50 m	1.63	9519037
	8595/96	<i>Liekšanas spirāle, ārējā</i>		
	16mm		5.14	2135001
	20mm		8.61	2135002













VEIKALS

GAB. EUR

VEIKALS









GAB. EUR ITĀLIJA










7250 <i>Kompresijas savienojums ar ārējo vītņi</i>			
	1/2"x16	10	2.35 0919067
	1/2"x20	10	3.38 0919068
	3/4"x16	10	3.21 0919069
	3/4"x20	10	3.72 0919070
	3/4"x26	5	6.57 0919071
	1"x26	5	7.45 0919072
	1"x32	5	11.74 0919073
7251 <i>Kompresijas savienojums ar iekšējo vītņi</i>			
	1/2"x16	10	2.60 0919074
	1/2"x20	10	3.74 0919075
	3/4"x16	10	3.76 0919076
	3/4"x20	10	4.00 0919077
	3/4"x26	5	6.81 0919078
	1"x26	5	7.45 0919079
	1"x32	5	11.45 0919080
7252 <i>Kompresijas uzdeva</i>			
	16x16	10	4.17 0919081
	20x20	10	6.47 0919082
	26x26	10	11.12 0919083
	32x32	5	19.67 0919084
7256 <i>Kompresijas trejgabals</i>			
	16x16x16	10	6.51 0919085
	20x20x20	5	9.61 0919086
	20x16x20	5	11.71 0919087
	20x16x16	5	4.98 0919088
	20x20x16	5	5.53 0919089
	26x26x26	5	16.34 0919090
	26x20x26	5	8.40 0919091
	26x26x20	5	8.22 0919092
	32x32x32	5	26.29 0919093
7257 <i>Kompresijas trejgabals ar iekšējo vītņi</i>			
	16x1/2"x16	10	5.31 0919094
	20x1/2"x20	5	7.74 0919095
	20x3/4"x20	5	7.98 0919096
	26x3/4"x26	5	13.60 0919097
	26x1"x26	5	17.71 0919098
	32x1"x32	5	20.46 0919099
7258 <i>Kompresijas trejgabals ar ārējo vītņi</i>			
	16x1/2"x16	10	7.16 0919100
	20x1/2"x20	10	9.61 0919101
	20x3/4"x20	5	11.11 0919102
	26x3/4"x26	5	17.46 0919103
	26x1"x26	5	18.24 0919104
7253 <i>Kompresijas līkums</i>			
	16x16	10	4.79 0919105
	20x20	10	6.45 0919106
	26x26	5	11.14 0919107
	32x32	5	18.97 0919108
7254 <i>Kompresijas līkums ar iekšējo vītņi</i>			
	1/2"x16	10	3.51 0919109
	1/2"x20	10	4.53 0919110
	3/4"x16	10	4.67 0919111
	3/4"x20	10	5.09 0919112
	3/4"x26	5	9.17 0919113
	1"x26	5	10.19 0919114
	1"x32	5	11.92 0919115
7260 <i>Kompresijas pāreja ar saskrūvi</i>			
	1/2"x16	20	6.53 0919127

7255 <i>Kompresijas līkums ar ārējo vītņi</i>			
	1/2"x16	10	3.42 0919116
	1/2"x20	10	4.84 0919117
	3/4"x16	10	4.53 0919118
	3/4"x20	10	4.67 0919119
	3/4"x26	5	8.28 0919120
	1"x26	5	10.63 0919121
	1"x32	5	11.92 0919122
7259 <i>Kompresijas līkums ar sienas stiprinājumu</i>			
	1/2"x16	10	3.96 0919123
	1/2"x20	10	5.04 0919124
	3/4"x16	5	5.83 0919125
	3/4"x20	5	6.43 0919126
7010N <i>Eirokonusa pieslēgs</i>			
	16x2.0x1/2"	10	3.20 0919128
	20x2.0x3/4"	10	3.91 0919129
3813 M <i>Kalibrators</i>			
	D16	1	11.39 6435003
	D20	1	6.94 6435001
	D26	1	6.94 6435002
	D12-16	1	11.45 6435005
3813M <i>Kalibrators D12-D26</i>			
		1	9.52 6435004
3813 <i>Kalibrators</i>			
			3.53 0935001
7271 <i>PEX-AL-PEX caurule Itālija</i>			
	16x2,0	100 m	1.47 0919130
	20x2,0	100 m	2.19 0919131
	26x3.0	50 m	4.14 0919132
7271F <i>PEX-AL-PEX caurule Ķīna</i>			
	26x3.0	50 m	1.63 9519037
8595/96 <i>Liekšanas spirāle, ārējā</i>			
	16mm		5.14 2135001
	20mm		8.61 2135002
921 PPR <i>Šķēres caurulēm 0-42mm nerūsējoša tērauda asmenis</i>			
			14.73 3435001
			14.46 3435002
100902 <i>Prese D16-32, mehāniskā</i>			
	U-gali		16-32
	TH-gali		16-32
	16-32	1	200.33 8235010
3811 F <i>Prese D16-20, mehāniskā</i>			
	16-20	1	148.00 7635013










VEIKALS
EUR








VEIKALS
EUR
















1509068		<i>Likums 45° I-I</i>	
	15x15	2.31	2215070
	18x18	2.41	2215007
	22x22	2.50	2215008
	28x28	3.40	2215009
1509068		<i>Likums 45° I-A</i>	
	15x15	2.17	2215010
	18x18	2.26	2215011
	22x22	2.40	2215012
	28x28	3.54	2215013
1509068		<i>Likums 90° I-I</i>	
	15x15	1.92	2215014
	18x18	2.07	2215015
	22x22	2.38	2215016
	28x28	3.25	2215017
1509068		<i>Likums 90° I-A</i>	
	15x15	2.02	2215018
	18x18	2.25	2215019
	22x22	2.60	2215020
	28x28	3.22	2215071
1509045		<i>Pāreja AV</i>	
	15x1/2"	3.36	2215021
	18x1/2"	3.93	2215023
	18x3/4"	4.28	2215024
	22x1/2"	4.09	2215025
	22x3/4"	4.61	2215072
	28x1/2"	5.43	2215026
	28x3/4"	5.61	2215027
	28x1"	5.77	2215028
1509044		<i>Pāreja IV</i>	
	15x1/2"	2.57	2215073
	18x1/2"	3.06	2215033
	18x3/4"	4.93	2215034
	22x1/2"	3.92	2215035
	22x3/4"	4.60	2215074
	28x1/2"	5.78	2215037
	28x3/4"	4.60	2215038
	28x1"	5.94	2215036
1509057		<i>Krusts</i>	
	15x15	9.16	2215029
	18x15	9.62	2215079
	18x18	9.62	2215030
	22x15	10.55	2215080
	22x18	10.55	2215081
	22x22	10.54	2215031
	28x28	10.88	2215032
1509022		<i>Apeja</i>	
	15	3.72	2215082
	18	3.78	2215083
	22	4.36	2215084

1509245		<i>Savienojums I-I</i>	
	15x15	1.42	2215039
	18x18	1.47	2215040
	22x22	1.70	2215041
	28x28	1.99	2215042
1509221		<i>Savienojums reducēts I-A</i>	
	18x15	1.32	2215043
	22x15	1.32	2215044
	22x18	1.43	2215045
	28x18	2.16	2215046
	28x22	1.84	2215047
1509080		<i>Remontuzmava</i>	
	15x15	1.59	2215075
	18x18	1.84	2215076
	22x22	2.13	2215077
	28x28	2.70	2215048
1509042		<i>Uzmava ar pāreju I-I</i>	
	18x15	2.33	2215085
	22x15	2.37	2215086
	22x18	2.59	2215087
	28x15	4.03	2215088
	28x18	3.85	2215089
	28x22	3.39	2215090
1509257		<i>Trejšgabals</i>	
	15	3.86	2215078
	18	4.14	2215049
	22	4.47	2215050
	28	5.96	2215051
1509258		<i>Trejšgabals IV</i>	
	15x1/2"	5.50	2215052
	18x1/2"	5.66	2215053
	22x1/2"	6.22	2215054
	22x3/4"	6.51	2215055
	28x1/2"	7.25	2215057
	28x3/4"	8.66	2215058
	28x1"	10.08	2215056
1509260		<i>Trejšgabals ar pāreju</i>	
	15x22x15	4.63	2215059
	18x15x18	4.14	2215060
	18x22x18	4.15	2215061
	22x15x22	4.40	2215062
	22x18x22	4.47	2215063
	28x15x28	5.92	2215064
	28x18x28	6.12	2215065
	28x22x28	6.43	2215066
1509250		<i>Korķis</i>	
	15	2.66	2215067
	18	2.81	2215068
	22	3.01	2215069
	28	4.46	2215006
1530207		<i>Karbons caurule</i>	
	15	2.00	2215000
	18	2.39	2215001
	22	3.19	2215002
	28	4.15	2215003
	35	6.73	2215004
	42	7.98	2215005
















Čuguna veidgabali

		GAB.	EUR	VEIKALS	
	85 M				<i>Apeja</i>
	1/2"	10	2.79	2124001	
	3/4"	10	4.14	2124002	
	1"	10	12.58	2124003	
	90 M				<i>Līkums (I-I)</i>
	1/2"	10	0.78	2124004	
	3/4"	10	1.07	2124005	
	1"	10	1.59	2124006	
	1,1/4"		3.09	2124007	
	1,1/2"	22	5.04	2124008	
	90 M				<i>Līkums ar pāreju</i>
	3/4"x1/2"	10	1.54	2124010	
	1"x1/2"	10	2.11	2124011	
	1"x3/4"	10	2.27	2124012	
	1,1/4"x1/2"		2.95	2124013	
	1,1/4"x3/4"		5.84	2124014	
	1,1/4"x1"		4.65	2124015	
	1,1/2"x1"		7.38	2124016	
	120 M				<i>Līkums 45° (I-I)</i>
	1/2"	10	2.94	2124020	
	3/4"	10	4.02	2124021	
	1"	10	4.55	2124022	
	92 M				<i>Līkums (I-Ā)</i>
	1/2"	10	0.83	2124023	
	3/4"	10	1.23	2124024	
	1"	10	2.07	2124025	
	1,1/4"		3.64	2124026	
	1,1/2"	22	5.52	2124027	
	121 M				<i>Līkums 45° (I-A)</i>
	1/2"	10	2.89	2124029	
	3/4"	10	3.74	2124030	
	1"	10	5.68	2124031	
	130 M				<i>Trejšgabals</i>
	1/2"	10	1.10	2124032	
	3/4"	10	1.59	2124033	
	1"	10	2.44	2124034	
	1,1/4"		4.21	2124035	
	1,1/2"		6.53	2124036	
	130 M				<i>Trejšgabals - pāreja</i>
	1/2"x3/4"	10	2.07	2124038	
	3/4"x1/2"	10	1.63	2124039	
	1"x1/2"	10	2.21	2124040	
	1"x3/4"	10	2.41	2124041	
	1,1/4"x1/2"		3.78	2124042	
	1,1/4"x3/4"		4.02	2124043	
	1,1/4"x1"		4.42	2124044	
	130 M				<i>Trejšgabals - pāreja</i>
	1,1/2"x1/2"		5.04	2124045	
	1,1/2"x3/4"		5.33	2124046	
	1,1/2"x1"		6.00	2124047	

	130 M				<i>Trejšgabals - pāreja</i>
	1,1/2"x1,1/4"		7.93	2124048	
	2"x1/2"		8.44	2124049	
	2"x3/4"		9.89	2124050	
	2"x1"		7.50	2124051	
	2"x1,1/4"		9.63	2124052	
	290 M				<i>Korkis (AV)</i>
	1/2"	10	0.65	2124054	
	3/4"	10	0.76	2124055	
	1"	10	0.84	2124056	
	1,1/4"	10	1.54	2124057	
	1,1/2"	10	1.87	2124058	
	300 M				<i>Korkis (IV)</i>
	1/2"	10	0.92	2124060	
	3/4"	10	1.07	2124061	
	1"	10	1.24	2124062	
	1,1/4"	10	1.94	2124063	
	1,1/2"	10	2.42	2124064	
	270 M				<i>Uzmava</i>
	1/2"	10	0.79	2124066	
	3/4"	10	1.06	2124067	
	1"	10	1.38	2124068	
	1,1/4"		2.25	2124069	
	1,1/2"		3.08	2124070	
	240 M				<i>Uzmava - pāreja</i>
	3/4"x1/2"	10	1.32	2124072	
	1"x1/2"	10	1.74	2124073	
	1"x3/4"	10	1.56	2124074	
	1,1/4"x1/2"	10	3.34	2124075	
	1,1/4"x3/4"	10	3.03	2124076	
	1,1/4"x1"	10	2.82	2124077	
	1,1/2"x1/2"		7.32	2124078	
	1,1/2"x3/4"		6.45	2124079	
	1,1/2"x1"		3.57	2124080	
	1,1/2"x1,1/4"		3.94	2124081	
	2"x1/2"		10.05	2124082	
	280 M				<i>Nipelis</i>
	1/2"	10	0.72	2124087	
	3/4"	10	1.00	2124088	
	1"	10	1.33	2124089	
	1,1/4"	10	2.28	2124090	
	1,1/2"	10	2.68	2124091	
	245 M				<i>Nipelis reducēts</i>
	3/4"x1/2"	10	1.40	2124093	
	1"x1/2"	10	2.96	2124094	
	1"x3/4"	10	1.57	2124095	
	1,1/4"x1/2"	10	6.22	2124096	
	1,1/4"x3/4"	10	5.36	2124097	
	1,1/4"x1"	10	2.68	2124098	
	1,1/2"x3/4"		5.36	2124099	

		GAB.	EUR	VEIKALS			GAB.	EUR	VEIKALS	
	245 M	<i>Nipelis reducēts</i>								
		1,1/2"x1"		8.53	2124100					
		1,1/2"x1,1/4"		3.68	2124101					
		2"x1"		7.69	2124102					
		2"x1,1/4"		6.96	2124103					
		2"x1,1/2"		6.39	2124104					
	241 M	<i>Vītņu pāreja (Ā-I)</i>								
		1/2"x3/8"		0.26	2124105					
		3/4"x1/2"	10	0.73	2124106					
		1"x1/2"	10	1.05	2124107					
		1"x3/4"	10	0.94	2124108					
		1,1/4"x1/2"	10	1.84	2124109					
		1,1/4"x3/4"	10	1.59	2124110					
		1,1/4"x1"	10	1.14	2124111					
		1,1/2"x1/2"	10	2.34	2124112					
		1,1/2"x3/4"	10	2.55	2124113					
		1,1/2"x1"	10	1.71	2124114					
		1,1/2"x1,1/4"	10	1.79	2124115					
		2"x1/2"	10	4.72	2124116					
		2"x3/4"		4.67	2124117					
	2"x1"		3.86	2124118						
	2"x1,1/4"		3.63	2124119						
	2"x1,1/2"		3.29	2124120						
	529 M	<i>Pagarinātājs</i>								
		1/2"	10	1.43	2124121					
		3/4"	10	2.14	2124122					
	246 M	<i>Vītņu pāreja</i>								
		3/4"x1/2"	10	1.73	2124124					
		1"x1/2"	10	2.88	2124125					
		1"x3/4"	10	2.96	2124126					
		1,1/4"x1/2"	10	7.83	2124127					
		1,1/4"x3/4"	10	5.54	2124128					
		1,1/4"x1"	10	3.98	2124129					
		1,1/2"x3/4"		6.69	2124130					
		1,1/2"x1"		7.55	2124131					
		1,1/2"x1,1/4"		6.68	2124132					
		2"x1"		11.78	2124133					
	2"x1,1/4"		9.00	2124134						
	2"x1,1/2"		9.45	2124135						
	330 M	<i>Izjaucams savienojums (I-I)</i>								
		1/2"	10	2.78	2124136					
		3/4"	10	3.26	2124137					
		1"	10	3.68	2124138					
		1,1/4"		6.28	2124139					
	331 M	<i>Izjaucams savienojums (I-A)</i>								
		1/2"	10	3.53	2124142					
		3/4"	10	3.91	2124143					
		1"	10	4.73	2124144					
		1,1/4"		8.35	2124145					
	03576	<i>Gumijas blīve izjaucamiem savienojumiem</i>								
		1/2"	100	0.32	2166001					
		3/4"	100	0.28	2166002					
		1"	100	0.46	2166003					
		1,1/2"	100	0.66	2166004					
	1,1/4"	100	0.74	2166005						
	2"	100	0.68	2166006						
	340 M	<i>Izjaucams savienojums (konuss (I-I))</i>								
		1/2"	10	3.54	2124148					
		3/4"	10	4.03	2124149					
		1"	10	4.61	2124150					
		1,1/4"		7.60	2124151					
		1,1/2"		8.93	2124152					
	2"		14.65	2124153						
	341 M	<i>Izjaucams savienojums (konuss (I-A))</i>								
		1/2"	10	3.45	2124154					
		3/4"	10	4.19	2124155					
		1"	10	5.15	2124156					
		1,1/4"		8.19	2124157					
		1,1/2"		10.39	2124158					
	2"		16.62	2124159						
	95 M	<i>Izjaucams savienojums (I-I)</i>								
		1/2"		4.96	2124160					
		3/4"		5.97	2124161					
		1"		7.39	2124162					
		1,1/4"		15.62	2124163					
		1,1/2"		21.77	2124164					
	2"		32.51	2124165						
	96 M	<i>Izjaucams savienojums (I-A)</i>								
		1/2"		5.55	2124166					
		3/4"		6.67	2124167					
		1"		8.48	2124168					
		1,1/4"		17.48	2124169					
		1,1/2"		23.73	2124170					
	2"		34.43	2124171						
	93 M	<i>Savienojuma komplekts sūkņim</i>								
		1"		6.37	2124172					
	1,1/4"		8.13	2124173						
	180 M	<i>Krusts</i>								
		1/2"	10	4.41	2124174					
		3/4"	10	6.68	2124175					
		1"		8.14	2124176					
		1,1/4"		10.43	2124177					
		1,1/2"		15.06	2124178					
	2"		22.86	2124179						
	310 M	<i>Kontruzgrieznis</i>								
		1/2"		0.84	2124180					
		3/4"		0.85	2124181					
		1"		1.13	2124182					
		1,1/4"		1.66	2124183					
		1,1/2"		1.94	2124184					
	2"		3.47	2124185						
	291 M	<i>Korķis radiatoram labā vītne</i>								
		1,1/4"		1.49	2124409					
	<i>Korķis radiatoram kreisā vītne</i>									
	1,1/4"		1.49	2124406						








Cinkoti čuguna veidgabali






		GAB.	EUR	VEIKALS		
	85 C			<i>Apeja</i>		
	1/2"	10	3.37	2124186		
	3/4"	10	5.24	2124187		
	1"	10	13.83	2124188		
	90 C			<i>Līkums (I-I)</i>		
	1/2"	10	1.02	2124189		
	3/4"	10	1.46	2124190		
	1"	10	2.14	2124191		
	1,1/4"		3.89	2124192		
	1,1/2"	22	6.30	2124193		
	90 C			<i>Līkums ar pāreju</i>		
	3/4"x1/2"	10	1.92	2124195		
	1"x1/2"	10	2.71	2124196		
	1"x3/4"	10	2.88	2124197		
	1,1/4"x1/2"		5.33	2124198		
	1,1/4"x3/4"		7.00	2124199		
	1,1/4"x1"		5.58	2124200		
	1,1/2"x1"		8.45	2124201		
	1,1/2"x1,1/4"		8.92	2124202		
	2"x1,1/4"		17.68	2124203		
	120 C			<i>Līkums 45° (I-I)</i>		
	1/2"	10	3.37	2124205		
	3/4"	10	4.25	2124206		
	1"	10	5.08	2124207		
	92 C			<i>Līkums (I-Ā)</i>		
	1/2"	10	1.10	2124208		
	3/4"	10	1.76	2124209		
	1"	10	2.71	2124210		
	1,1/4"		4.64	2124211		
	1,1/2"	22	6.87	2124212		
	121 C			<i>Līkums 45° (I-A)</i>		
	1/2"	10	3.42	2124214		
	3/4"	10	4.74	2124215		
	1"	10	6.90	2124216		
	130 C			<i>Trejšgabals</i>		
	1/2"	10	1.47	2124217		
	3/4"	10	2.14	2124218		
	1"	10	3.34	2124219		
	1,1/4"		5.43	2124220		
	1,1/2"		8.28	2124221		
	130 C			<i>Trejšgabals - pāreja</i>		
	1/2"x3/4"	10	4.94	2124223		
	3/4"x1/2"	10	2.17	2124224		
	1"x1/2"	10	2.87	2124225		
	1"x3/4"	10	3.16	2124226		
	1,1/4"x1/2"		4.81	2124227		
	1,1/4"x3/4"		4.99	2124228		
	1,1/4"x1"		5.61	2124229		
	1,1/2"x1/2"		6.32	2124230		
	1,1/2"x3/4"		6.73	2124231		
1,1/2"x1"		7.51	2124232			
	130 C			<i>Trejšgabals - pāreja</i>		
	1,1/2"x1,1/4"		9.90	2124233		
	2"x1/2"		11.30	2124234		
	2"x3/4"		12.00	2124235		
	2"x1"		9.37	2124236		
	2"x1,1/4"		11.98	2124237		
	290 C			<i>Korķis (AV)</i>		
	1/2"	10	0.72	2124239		
	3/4"	10	0.97	2124240		
	1"	10	1.26	2124241		
	1,1/4"	10	1.92	2124242		
	1,1/2"	10	2.31	2124243		
	300 C			<i>Korķis (IV)</i>		
	1/2"	10	1.11	2124245		
	3/4"	10	1.36	2124246		
	1"	10	1.59	2124247		
	1,1/4"	10	2.45	2124248		
	1,1/2"	10	3.10	2124249		
	270 C			<i>Uzmava</i>		
	1/2"	10	1.02	2124251		
	3/4"	10	1.36	2124252		
	1"	10	1.90	2124253		
	1,1/4"		2.94	2124254		
	1,1/2"		4.26	2124255		
	240 C			<i>Uzmava - pāreja</i>		
	3/4"x1/2"	10	1.66	2124257		
	1"x1/2"	10	2.19	2124258		
	1"x3/4"	10	2.01	2124259		
	1,1/4"x1/2"	10	4.12	2124260		
	1,1/4"x3/4"	10	3.78	2124261		
	1,1/4"x1"	10	3.54	2124262		
	1,1/2"x1/2"		9.17	2124263		
	1,1/2"x3/4"		8.06	2124264		
	1,1/2"x1"		4.50	2124265		
	280 C			<i>Nipelis</i>		
	1/2"	10	0.96	2124272		
	3/4"	10	1.29	2124273		
	1"	10	1.71	2124274		
	1,1/4"	10	2.88	2124275		
	1,1/2"	10	3.29	2124276		
	245 C			<i>Nipelis reducēts</i>		
	3/4"x1/2"	10	1.79	2124278		
	1"x1/2"	10	3.71	2124279		
	1"x3/4"	10	2.01	2124280		
	1,1/4"x1/2"	10	7.89	2124281		
	1,1/4"x3/4"	10	6.71	2124282		
1,1/4"x1"	10	3.29	2124283			
1,1/2"x3/4"		6.76	2124284			

Cinkoti čuguna veidgabali

GAB. EUR VEIKALS

GAB. EUR VEIKALS

	245 C	<i>Nipelis reducēts</i>		
	1,1/2"x1"	8.10	2124285	
	1,1/2"x1,1/4"	3.99	2124286	
	2"x1"	9.72	2124287	
	2"x1,1/4"	8.77	2124288	
	2"x1,1/2"	8.03	2124289	
	241 C	<i>Vītņu pāreja (A-I)</i>		
	1/2"x3/8"	0.80	2124290	
	3/4"x1/2"	10 0.94	2124291	
	1"x1/2"	10 1.32	2124292	
	1"x3/4"	10 1.24	2124293	
	1,1/4"x1/2"	10 2.28	2124294	
	1,1/4"x3/4"	10 1.98	2124295	
	1,1/4"x1"	10 1.57	2124296	
	1,1/2"x1/2"	10 2.95	2124297	
	1,1/2"x3/4"	10 3.17	2124298	
	1,1/2"x1"	10 2.20	2124299	
	1,1/2"x1,1/4"	10 2.35	2124300	
	2"x1/2"	10 5.95	2124301	
	2"x3/4"	5.89	2124302	
	2"x1"	4.86	2124303	
	2"x1,1/4"	4.53	2124304	
	2"x1,1/2"	4.22	2124305	
	529 C	<i>Pagarinātājs</i>		
	1/2"	10 1.87	2124306	
	3/4"	10 2.65	2124307	
	1"	10 4.95	2124308	
	246 C	<i>Vītņu pāreja</i>		
	3/4"x1/2"	10 2.20	2124309	
	1"x1/2"	10 3.51	2124310	
	1"x3/4"	10 3.60	2124311	
	1,1/4"x1/2"	10 9.93	2124312	
	1,1/4"x3/4"	10 7.35	2124313	
	1,1/4"x1"	10 4.28	2124314	
	1,1/2"x3/4"	8.44	2124315	
	1,1/2"x1"	7.99	2124316	
	1,1/2"x1,1/4"	7.03	2124317	
	2"x1"	13.88	2124318	
	2"x1,1/4"	10.80	2124319	
	2"x1,1/2"	11.30	2124320	
	330 C	<i>Izjaucams savienojums (I-I)</i>		
	1/2"	10 3.48	2124321	
	3/4"	10 4.08	2124322	
	1"	10 4.69	2124323	
	1,1/4"	7.83	2124324	
	1,1/2"	10.12	2124325	
	2"	16.88	2124326	
	331 C	<i>Izjaucams savienojums (I-A)</i>		
	1/2"	10 4.42	2124327	
	3/4"	10 4.97	2124328	
	1"	10 5.94	2124329	
	1,1/4"	10.53	2124330	
	1,1/2"	12.74	2124331	
	2"	19.93	2124332	
	<i>Gumijas blīve izjaucamiem savienojumiem</i>			
	03576	1/2"	100 0.32	2166001
		3/4"	100 0.28	2166002
		1"	100 0.46	2166003
		1,1/2"	100 0.66	2166004
		1,1/4"	100 0.74	2166005
	2"	100 0.68	2166006	







<i>Izjaucams savienojums (konuss (I-I))</i>			
	340 C		
	1/2"	10 4.39	2124333
	3/4"	10 4.97	2124334
	1"	10 5.74	2124335
	1,1/4"	9.83	2124336
	1,1/2"	11.49	2124337
	2"	18.66	2124338
<i>Izjaucams savienojums (konuss (I-A))</i>			
	341 C		
	1/2"	10 4.29	2124339
	3/4"	10 5.17	2124340
	1"	10 6.45	2124341
	1,1/4"	10.17	2124342
	1,1/2"	12.99	2124343
	2"	20.72	2124344
<i>180 C Krusts</i>			
	1/2"	10 5.27	2124359
	3/4"	10 7.99	2124360
	1"	9.94	2124361
	1,1/4"	11.66	2124362
	1,1/2"	14.86	2124363
	2"	19.44	2124364
<i>310 C Kontruzgrieznis</i>			
	1/2"	0.86	2124365
	3/4"	0.90	2124366
	1"	1.30	2124367
	1,1/4"	1.92	2124368
	1,1/2"	2.10	2124369
	2"	4.50	2124370
<i>95 C Izjaucams savienojums (I-I)</i>			
	1,1/2"	29.15	2124349







VEIKALS

VEIKALS

EUR


EUR


201		<i>Līkums</i>	
	21.3*2.0	1.39	2132001
	26.9*2.6	1.83	2132002
	33.7*2.6	1.90	2132003
	42.4*2.6	2.62	2132004
	48.3*2.6	3.05	2132005
	57.0*2.9	4.44	2132006
	60.3*2.9	5.03	2132007
202		<i>Pāreja</i>	
	26.9-21.3	1.89	2132008
	33.7-21.3	2.52	2132009
	33.7-26.9	2.62	2132010
	42.4-21.3	3.80	2132011
	42.4-26.9	3.73	2132012
	42.4-33.7	2.89	2132013
	48.3-21.3	4.68	2132014
	48.3-26.9	4.35	2132015
	48.3-33.7	3.53	2132016
	48.3-42.4	4.29	2132017
	57.0-26.9	7.81	2132018
	57.0-33.7	7.48	2132019
	57.0-42.4	6.35	2132020
	57.0-48.3	3.75	2132021
	60.3-26.9	5.64	2132022
	60.3-33.7	5.69	2132023
60.3-42.4	4.79	2132024	
60.3-48.3	5.01	2132025	
60.3-57.0	4.64	2132026	
203		<i>Korķis</i>	
	26.9*2.6	1.10	2132026
	33.7*2.6	1.60	2132027
	42.4*2.6	1.60	2132028
	48.3*2.6	2.37	2132029
	57.0*2.9	3.04	2132030
	60.3*2.9	2.88	2132031
204		<i>Trejšgabals</i>	
	21.3*2.0	7.23	2132032
	26.9*2.6	10.61	2132033
	33.7*2.6	12.22	2132034
	42.4*2.6	13.35	2132035
	48.3*2.6	14.64	2132036
	57.0*2.9	21.99	2132037
205		<i>Uzmava</i>	
	1/2"	0.65	2132038
	3/4"	0.91	2132039
	1"	1.14	2132040
	1 1/4"	1.56	2132041
	1 1/2"	1.84	2132042
	2"	2.53	2132043
206		<i>Pāreja uz vītņi</i>	
	1/2"x40	0.56	2132044
	3/4"x50	0.67	2132045
	1"x60	0.91	2132046
	1 1/4"x60	1.26	2132047
	1 1/2"x60	1.73	2132048
	2"x60	2.17	2132049


312 C		<i>Īsā vītne (cinkota)</i>	
	1/2"x40	1.11	2124386
	1/2"x60	0.88	2124424
	1/2"x100	1.45	2124387
	1/2"x150	2.17	2124388
	3/4"x50	1.19	2124389
	3/4"x100	2.21	2124390
	3/4"x150	2.73	2124391
	1"x60	1.75	2124413
	1"x100	2.90	2124392
	1"x150	4.24	2124393
	1,1/4"x70	2.06	2124400
	1,1/2"x70	3.05	2124401
2"x70	3.69	2124402	
312 M		<i>Īsā vītne (melna)</i>	
	1/2"x40	0.60	2124374
	1/2"x60	0.67	2124423
	1/2"x100	1.41	2124375
	1/2"x150	1.71	2124376
	3/4"x50	0.72	2124377
	3/4"x100	1.76	2124378
	3/4"x150	2.75	2124379
	1"x60	0.93	2124380
	1"x100	2.81	2124381
	1"x150	4.23	2124382
	1,1/4"x70	1.87	2124394
	1,1/2"x70	2.12	2124395
2"x70	3.29	2124396	
311 C		<i>Garā vītne (cinkota)</i>	
	1/2"x100	1.60	2124383
	3/4"x110	2.19	2124384
	1"x120	2.79	2124385
	1,1/4"x130	4.37	2124403
	1,1/2"x140	5.63	2124404
	2"x150	7.83	2124405
311 M		<i>Garā vītne (melna)</i>	
	1/2"x100	1.31	2124371
	3/4"x110	1.60	2124372
	1"x120	2.51	2124373
	1,1/4"x130	3.48	2124397
	1,1/2"x140	4.09	2124398
	2"x150	7.52	2124399
GARUMS 3 M		<i>Tērauda caurule, melna</i>	
	DN15(21.3x2.6)	5.24	2532008
	DN20(26.9x2.6)	6.24	2532009
	DN25(33.7x3.2)	11.00	2532010
	DN32(42.3x3.2)	13.61	2532020
	DN40(48.3x3.2)	15.74	2532012
	DN50(60.3x3.2)	19.66	2532013
	DN65(76.1x3.2)	22.71	2532023
GARUMS 3 M		<i>Tērauda caurule, cinkota</i>	
	DN15(21.3x2.6)	5.73	2532025
	DN20(26.9x2.6)	8.21	2532016
	DN25(33.7x3.2)	11.49	2532014
	DN32(42.3x3.2)	13.95	2532015
	DN40(48.3x3.2)	16.86	2532021
	DN50(60.3x3.2)	21.62	2532022


GAB. EUR VEIKALS


GAB. EUR VEIKALS


SNAP		Nerūsējošā tērauda remontskava	
	21-25 (60)	11.53	
	26-30 (60)	11.40	
	33-37 (60)	12.09	
	42-45 (60)	12.30	
	48-51 (60)	15.48	2521047
	55-58(60)	13.70	2521048
	60-64 (60)	13.73	2521049


RS-1		Nerūsējošā tērauda remontskava	
	60-67 (150)	86.17	
	70-77 (150)	87.49	
	76-85 (150)	87.20	
	87-95 (150)	88.34	
	108-118 (150)	97.25	
	159-170 (150)	108.14	
	76-85 (200)	95.88	
	87-95 (200)	96.90	
	95-105 (200)	98.02	
	108-118 (200)	109.16	2527000
113-123 (200)	109.26	2527001	
159-170 (200)	123.59		
108-118 (300)	164.33		
113-123 (300)	166.04		
159-170 (300)	187.44		


RS-2		Nerūsējošā tērauda remontskava	
	108-128 (200)	167.65	
	158-180 (200)	203.79	
	108-128 (300)	258.36	

3100GE		Bezvītņes pāreja tērauda caurulei	
	1/2"	18	8.80 2521003
	3/4"	18	11.60 2521004
	1"	15	13.95 2521005
	1,1/4"		18.64 2521006
	1,1/2"	8	22.39 2521007
	2"	6	32.84 2521008


3101GE		Bezvītņes pāreja tērauda caurulei	
	1/2"	18	10.06 2521009
	3/4"		11.24 2521010
	1"	15	14.05 2521011
	1,1/4"	10	19.13 2521012
	1,1/2"	8	22.83 2521013
	2"	6	33.80 2521014


3102GE		Bezvītņes uzstāve tērauda caurulei	
	1/2"	18	14.17 2521015
	3/4"	15	17.23 2521016
	1"	15	22.56 2521017
	1,1/4"	10	30.23 2521018
	1,1/2"	8	33.12 2521019
	2"	6	48.54 2521020

3103GE		Bezvītņes trejgabals tērauda caurulei	
	1/2"	18	15.18 2521021
	3/4"	15	20.26 2521022
	1"	15	25.10 2521023
	1,1/4"	10	35.77 2521024
	1,1/2"	8	37.39 2521025
	2"	6	55.10 2521026

3104GE		Bezvītņes remontskava ar atzaru tērauda caurulei	
	1/2"x1/2"	15	9.17 2521037
	3/4"x1/2"	15	10.18 2521038
	1"x1/2"	15	12.12 2521039
	1"x3/4"	15	12.12 2521040
	1.1/4"x3/4"	8	15.97 2521041
	1.1/2"x3/4"	6	18.89 2521042
	2"x1"	4	27.68 2521043
	2.1/2"X1.1/2"		44.22 2521044










3105GE		Bezvītņes remontskava tērauda caurulei	
	1/2"	18	6.88 2521028
	3/4"	18	7.74 2521029
	1"	8	9.85 2521030
	1,1/4"	10	12.55 2521031
	1,1/2"	6	17.22 2521032
	2"	6	24.22 2521033
	2.1/2"		33.40 2521034
	3"		35.34 2521035
	4"		48.25 2521036

GARUMS 3 M		Tērauda caurule, melna	
	DN15(21.3x2.6)	5.24	2532008
	DN20(26.9x2.6)	6.24	2532009
	DN25(33.7x3.2)	11.00	2532010
	DN32(42.3x3.2)	13.61	2532020
	DN40(48.3x3.2)	15.74	2532012
	DN50(60.3x3.2)	19.66	2532013
DN65(76.1x3.2)	22.71	2532023	

GARUMS 3 M		Tērauda caurule, cinkota	
	DN15(21.3x2.6)	5.73	2532025
	DN20(26.9x2.6)	8.21	2532016
	DN25(33.7x3.2)	11.49	2532014
	DN32(42.3x3.2)	13.95	2532015
	DN40(48.3x3.2)	16.86	2532021
	DN50(60.3x3.2)	21.62	2532022







VEIKALS

GAB. EUR

900		<i>PPR caurule PN 20</i>			
	4	1.22	20x3,4	3936093	
	4	1.81	25x4,2	3936094	
	4	3.21	32x5,4	3936095	
	4	5.02	40x6,7	3936145	
	4	8.13	50x8,4	3936146	
	4	12.68	63x10,5	3936147	
918		<i>PPR ar alumīnija slāni caurule PN20</i>			
	4	1.95	20x3,4	3936142	
	4	2.75	25x4,2	3936143	
	4	4.16	32x5,4	3936144	
	4	6.32	40x6,7	3936168	
	4	9.52	50x8,4	3936169	
	4	15.21	63x10,5	3936170	
919		<i>PPR caurule PN 20 ar šķiedru</i>			
	4	1.20	20x2,8	3936161	
	4	1.90	25x3,5	3936162	
	4	3.25	32x4,4	3936163	
	4	4.62	40x5,5	3936164	
	4	6.61	50x6,9	3936165	
	4	12.12	63x8,6	3936166	
901		<i>PPR līkums 45° I-I</i>			
	50	0.19	dn 20	3936006	
	40	0.24	dn 25	3936007	
	20	0.44	dn 32	3936008	
		0.77	dn 40	3936106	
		1.42	dn 50	3936107	
		3.00	dn 63	3936108	
901		<i>PPR līkums 90° I-I</i>			
	50	0.19	dn 20	3936010	
	40	0.31	dn 25	3936011	
	20	0.42	dn 32	3936012	
	10	0.82	dn 40	3936109	
	5	1.55	dn 50	3936110	
	4	2.59	dn 63	3936111	
901		<i>PPR līkums 45° I-A</i>			
	200	0.31	dn 16	3936013	
	50	0.62	dn 20	3936014	
	50	0.65	dn 25	3936015	
	10	0.96	dn 32	3936016	
901		<i>PPR līkums 90° I-A</i>			
	100	0.23	dn 16	3936017	
		0.31	dn 20	3936018	
		0.46	dn 25	3936019	
		0.80	dn 32	3936020	
907		<i>PPR līkums 90° IV</i>			
	10	1.86	16x1/2i	3936053	
	20	1.38	20x1/2i	3936054	
	10	1.90	20x3/4i	3936055	
	10	1.60	25x1/2i	3936056	
	50	1.79	25x3/4i	3936057	
		2.69	32x3/4i	3936058	
	5	3.84	32x1"i	3936059	
907		<i>PPR līkums 90° AV</i>			
	10	1.46	20x1/2ā	3936061	
	10	2.17	20x3/4ā	3936062	
	10	1.81	25x1/2ā	3936063	
	10	2.20	25x3/4ā	3936064	
		4.14	32x3/4ā	3936065	
		6.59	32x1"ā	3936066	









VEIKALS







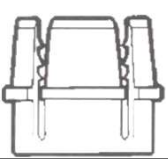


GAB. EUR

911		<i>PPR pāreja IV</i>			
	20	1.23	20x1/2i	3936044	
	20	1.90	20x3/4i	3936045	
	20	1.27	25x1/2i	3936046	
	20	1.52	25x3/4i	3936047	
	20	1.71	32x1/2i	3936148	
	10	2.21	32x3/4i	3936158	
	10	3.53	32x1i	3936104	
	5	6.39	40x1,1/4i	3936136	
		8.19	50x1,1/2i	3936137	
		12.04	63x2i	3936138	
911		<i>PPR pāreja AV</i>			
	20	1.38	20x1/2ā	3936049	
		2.09	20x3/4ā	3936050	
	20	1.66	25x1/2ā	3936051	
	10	2.02	25x3/4ā	3936052	
	10	2.49	32x3/4"	3936157	
	5	3.93	32x1ā	3936105	
	5	8.28	40x1,1/4ā	3936139	
		12.68	50x1,1/2ā	3936140	
	4	17.07	63x2ā	3936141	
904		<i>PPR trejgabals</i>			
	40	0.22	dn 20	3936022	
	20	0.37	dn 25	3936023	
	10	0.54	dn 32	3936024	
	5	1.13	dn 40	3936112	
		2.01	dn 50	3936113	
		3.03	dn 63	3936114	
904		<i>PPR trejgabals</i>			
		0.32	25/20/25	3936027	
	30	0.51	32/20/32	3936028	
	20	0.60	32/25/32	3936029	
	25	0.98	40/20/40	3936115	
		0.98	40/25/40	3936116	
	10	1.03	40/32/40	3936117	
	10	2.48	50/20/50	3936118	
		2.42	50/25/50	3936119	
		2.47	50/32/50	3936120	
	5	2.42	50/40/50	3936121	
		4.22	63/25/63	3936181	
		4.22	63/32/63	3936180	
		4.12	63/40/63	3936149	
		4.21	63/50/63	3936151	
905		<i>PPR trejgabals AV</i>			
	10	1.60	20x1/2āx20	3936068	
		2.06	20x3/4āx20	3936069	
		1.68	25x1/2āx25	3936070	
	10	2.03	25x3/4āx25	3936071	
		2.64	32x1/2"x32	3936185	
		3.14	32x3/4āx32	3936072	
		4.59	32x1"āx32	3936073	
905		<i>PPR trejgabals IV</i>			
	10	1.29	20x1/2ix20	3936075	
	10	1.57	20x3/4ix20	3936076	
	10	1.39	25x1/2ix25	3936077	
	10	1.83	25x3/4ix25	3936078	
		2.23	32x1/2"x32	3936184	
		2.68	32x3/4ix32	3936079	
		5.67	32x1"ix32	3936080	









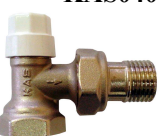















		VEIKALS			
		GAB.	EUR		
	908	<i>PPR mufe</i>			
	100	0.15	dn 20	3936031	
	50	0.19	dn 25	3936032	
	30	0.29	dn 32	3936033	
	10	0.51	dn 40	3936122	
	10	1.03	dn 50	3936123	
	9	1.77	dn 63	3936124	
	903	<i>PPR mufe ar pāreju</i>			
		0.16	20/25	3936036	
	50	0.22	20/32	3936037	
	20	0.32	25/32	3936038	
	40	0.31	20/40	3936125	
	20	0.32	25/40	3936126	
		0.48	32/40	3936127	
		0.98	20/50	3936150	
		0.81	32/50	3936128	
		1.24	40/50	3936129	
		0.92	32/63	3936130	
	10	1.16	40/63	3936131	
	5	1.30	50/63	3936132	
	912	<i>PPR uzdeva ar pāreju IV</i>			
	400	0.22	25/20	3936336	
	200	0.31	32/20	3936337	
	200	0.28	32/25	3936338	
	910	<i>PPR korķis</i>			
	100	0.12	dn 20	3936040	
		0.14	dn 25	3936041	
	10	0.23	dn 32	3936042	
		0.41	dn 40	3936133	
		1.20	dn 50	3936134	
		1.60	dn 63	3936135	
	920	<i>PPR korķis iekšējais</i>			
		0.33	dn 32	3936195	
	906	<i>PPR apeja</i>			
		0.31	dn 16	3936001	
		0.70	dn 20	3936002	
		0.98	dn 25	3936003	
		1.52	dn 32	3936004	
	902	<i>PPR līkums ar sienas stiprinājumu IV</i>			
	10	1.41	20x1/2i	3936082	
		2.60	20x3/4i	3936083	
		1.63	25x1/2i	3936084	
	10	2.59	25x3/4i	3936085	
	902	<i>PPR līkums ar sienas stiprinājumu AV</i>			
		1.78	20x1/2ā	3936087	
		2.96	25x1/2ā	3936089	
	10	3.27	25x3/4ā	3936090	
	915	<i>PPR izjaucama uzdeva IV</i>			
	20	2.74	20x1/2	3936100	
		3.52	25x3/4	3936101	
		6.89	32x1"	3936186	
	916	<i>PPR izjaucama uzdeva AV</i>			
		4.78	20x1/2	3936102	
		5.10	25x3/4	3936103	
		7.06	32x1"	3936187	
	922	<i>PPR pāreja ar saskrūvi IV</i>			
		2.21	20x1/2"	3936178	
		3.03	25x3/4"	3936182	
		6.80	32x1"	3936301	











		VEIKALS			
		GAB.	EUR		
	923	<i>PPR pāreja līkums ar saskrūvi IV</i>			
		1.93	20x1/2"	3936177	
		2.87	25x3/4"	3936183	
	921	<i>PPR saskrūve plastmasa IV</i>			
	200	1.53	dn 20	3936342	
	100	1.94	dn 25	3936343	
	60	2.36	dn 32	3936344	
	924	<i>PPR apeja īsā</i>			
		0.47	dn 20	3936152	
		0.47	dn 25	3936153	
		0.92	dn 32	3936154	
	925	<i>PPR zemapmetuma līkums I-V</i>			
		4.10	20x1/2"	3936091	
	909	<i>PPR sienas montāžas komplekts</i>			
		6.34	20x1/2"	3936167	
	4476 A/10	<i>Montāžas plāksne ar 2 PPR līkumiem</i>			
	10	9.78	1/2"x20	3936329	
	928	<i>Gružu filtrs PPR</i>			
	100	2.08	1/2"	3936339	
	80	2.92	3/4"	3936340	
	35	5.28	1"	3936341	
	927	<i>PPR lodveida ventilis ar saskrūvi</i>			
	10	13.54	25x3/4"	3936333	
	917	<i>PPR lodveida ventilis (zemapmetuma)</i>			
	10	3.25	dn 20	3936323	
	5	4.65	dn 25	3936324	
	5	7.27	dn 32	3936325	
		13.92	dn 40	3936326	
		21.88	dn 50	3936327	
	1	38.90	dn 63	3936328	
	921 PPR	<i>Šķēres PPR caurulēm 0-42mm nerūsējoša tērauda asmenis</i>			
		14.73		3435001	
		14.46		3435002	
	913- PLAKANS	<i>Lodāmurs 1000W (komplektā ar uzgaļiem 20-63)</i>			
		69.91	1000W	7635001	
		55.08	800W	7635018	
	913-apaļš	<i>Lodāmurs (komplektā ar uzgaļiem 16-32)</i>			
		78.45	1200W	7635014	
		73.61	800W	7635020	
	912-uzg. apaļš	<i>Lodāmura PPR uzgali</i>			
		8.24	20	9735006	
		9.00	25	9735007	
		9.81	32	9735008	
	912-uzg. plakans	<i>Lodāmura PPR uzgali</i>			
		12.36	16	9735001	
		9.58	20	9735002	
		10.67	25	9735003	
		13.31	32	9735004	
		4.41	40	7635007	
		5.39	50	7635008	
	6.37	63	7635009		

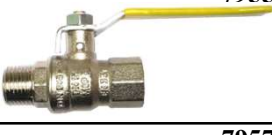











GAB.	EUR	VEIKALS
510 <i>Uzmava</i>		
 20x20	20	2.18 9018001
25x25	10	2.58 9018002
32x32	10	3.36 9018003
40x40	5	5.45 9018004
50x50	5	7.44 9018005
63x63	5	10.28 9018006
511 <i>Pāreja (ārējā vītne - caurule)</i>		
 20x1/2"	20	1.21 9018007
20x3/4"	20	1.21 9018008
25x1/2"	10	1.43 9018009
25x3/4"	10	1.43 9018010
25x1"	10	1.43 9018011
32x3/4"	10	1.82 9018012
32x1"	10	1.82 9018013
32x1,1/4"	10	2.04 9018014
40x1"	5	3.40 9018015
40x1,1/4"	5	3.40 9018016
40x1,1/2"	5	3.40 9018017
50x1,1/4"	5	4.86 9018098
50x1,1/2"	5	4.43 9018018
63x2"	5	6.28 9018019
512 <i>Uzmava ar pāreju</i>		
 25x20	20	2.36 9018020
32x25	10	3.07 9018021
40x32	5	5.44 9018022
50x40	5	6.85 9018023
63x40	5	9.68 9018024
63x50	5	9.69 9018025
513 <i>Līkums 90°</i>		
 20x20	20	2.19 9018026
25x25	10	2.62 9018027
32x32	10	3.25 9018028
40x40	5	5.69 9018029
50x50	5	7.97 9018030
63x63	5	10.10 9018031
514 <i>Trejšgabals</i>		
 20x20x20	20	2.84 9018032
25x25x25	10	3.71 9018033
32x32x32	10	4.89 9018034
40x40x40	5	7.97 9018035
50x50x50	5	10.86 9018036
63x63x63	5	15.45 9018037
515 <i>Trejšgabals ar iekšējo vītņi</i>		
 20x1/2"x20	20	2.41 9018038
25x1/2"x25	10	3.11 9018039
25x3/4"x25	10	3.11 9018040
32x3/4"x32	10	4.16 9018041
32x1"x32	10	4.16 9018042
40x1"x40	5	8.40 9018043
40x1,1/4"x40	5	8.40 9018044
50x1,1/2"x50	5	10.70 9018045
63x2"x63	5	13.43 9018046
521 <i>Korkis</i>		
 20	20	1.44 9018060
25	10	1.66 9018061
32	10	1.96 9018062
40	5	3.34 9018063
50	5	4.95 9018064
63	5	6.70 9018065
505 <i>Uzmavas atzars</i>		
 20x1/2"		2.00 9018086
25x1/2"		2.05 9018087
25x3/4"		2.05 9018088
32x3/4"		3.01 9018089
32x1"		2.36 9018090

GAB.	EUR	VEIKALS
518 <i>Līkums 90° ar iekšējo vītņi</i>		
 20x1/2"	20	1.80 9018047
25x3/4"	10	2.29 9018048
32x3/4"	10	2.68 9018049
32x1"	10	2.68 9018050
40x1,1/4"	5	5.47 9018051
50x1,1/2"	5	7.26 9018052
63x2"	5	9.66 9018053
519 <i>Līkums 90° ar ārējo vītņi</i>		
 20x1/2"	20	1.58 9018054
25x1/2"	20	1.52 9018092
25x3/4"	10	1.91 9018055
32x1"	10	2.41 9018056
40x1,1/4"	5	4.08 9018057
50x1,1/2"	5	5.85 9018058
63x2"	5	8.09 9018059
523 <i>Trejšgabals ar pāreju</i>		
 25x20	10	4.44 9018066
32x25	10	5.01 9018067
40x32	1	10.55 9018068
50x40	1	14.18 9018069
63x50	1	19.11 9018070
601 <i>Pāreja (iekšējā vītne - caurule)</i>		
 20x1/2"	20	1.49 9018071
25x1/2"	10	1.65 9018083
25x3/4"	10	1.65 9018072
25x1"	10	1.65 9018084
32x3/4"	10	2.12 9018085
32x1"	10	2.12 9018073
40x1,1/4"	5	3.13 9018074
50x1,1/2"	5	4.53 9018075
63x2"	5	6.36 9018076
335 <i>Lodveida ventilis PVC</i>		
 DN20		12.00 9018093
DN25		12.00 9018094
DN32		14.29 9018095
GHI10 <i>Uzgrieznis</i>		
 20		0.52 9018077
25		0.77 9018078
32		0.93 9018079
40		1.59 9018080
50		2.03 9018081
63		2.87 9018082
ARG10 <i>Ieliktnis</i>		
 20		0.40 9066001
25		0.48 9066002
32		0.88 9066003
40		1.01 9066004
50		1.26 9066005
63		2.29 9066006
GUA11 <i>Blīve</i>		
 Dn20		0.42 9066007
Dn25		0.45 9066008
Dn32		0.65 9066009
Dn40		0.80 9066010
Dn50		0.87 9066011
Dn63		1.04 9066012
Polietilēna caurule rullī		
 20x2,0;	100 m	1.04 2518001
20x2,0;	500 m	0.94 2518012
25x2,3;	100 m	1.33 2518002
25x2,3;	500 m	1.33 2518013
32x3,0;	100 m	1.57 2518003
32x3,0;	500 m	1.57 2518014
40x3,0;	100 m	2.30 4218001
40x3,7;	100 m	2.89 2518005
50x3,0;	100 m	2.69 4218003
50x4,6;	100 m	4.33 2518004
63x3,8;	100 m	4.90 2518006

















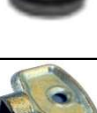








RADIATORU VENTIĻI VENTIĻI DVIELU ŽĀVĒTĀJIEM

GAB. EUR VEIKALS					GAB. EUR VEIKALS								
KAS0401303	<i>Radiatora ventilis, leņķa</i>		1/2"	1	4.29	3920001	3760	<i>Ventīlis, leņķa, rokas regulācija</i>		1/2"	1	19.36	2120021
KAS0405310	<i>Radiatora ventilis, leņķa</i>		3/4"	1	2.67	3920002	3761	<i>Ventīlis, leņķa, labais</i>		1/2"	1	28.05	2120022
KAS042301	<i>Radiatora ventilis, taisns</i>		1/2"	1	4.83	3920003	3762	<i>Ventīlis, leņķa, kreisais</i>		1/2"	1	26.57	2120023
KAS0402303	<i>Atpakaļgaitas ventilis, taisns</i>		1/2"	1	5.48	3920005	3763	<i>Ventīlis, leņķa</i>		1/2"	1	11.78	2120024
KAS0404305	<i>Atpakaļgaitas ventilis, leņķa</i>		1/2"	1	4.83	3920004	3764	<i>Ventīlis, leņķa ar slēptu pievadu</i>		1/2"	1	11.29	2120025
KAS8102005	<i>Termo galva, hromēta</i>		1/2"	1	7.41	3920006	3770	<i>Termogalva</i>		1/2"	1	25.56	2120026
KAS8102004	<i>Termo galva, balta</i>		1/2"	1	7.04	3920007	3765	<i>Ventīlis, leņķa, termo</i>		1/2"	1	21.51	2120027
KAS1314014	<i>Termoventīlis, leņķa, PEX Bez galvas</i>		1/2"	1	2.72	3920008	3766	<i>Ventīlis, leņķa, labais, termo</i>		1/2"	1	30.88	2120028
KAS1309007	<i>Termoventīlis, aksiālais ar galvu</i>		1/2"	1	13.47	3920010	3767	<i>Ventīlis, leņķa, kreisais, termo</i>		1/2"	1	30.88	2120029
KAS1304009	<i>Termoventīlis, taisns</i>		1/2"	1	6.11	3920011	3772	<i>Pāreja daudzslāņu caurulei komplekts</i>		16x1/2"	1	12.01	0925169
KAS1304010	<i>Termoventīlis, taisns Ar galvu</i>		1/2"	1	12.70	3920030	3774	<i>Pāreja misiņa caurulei komplekts</i>		15 x 1/2"	1	9.81	0925168
KAS1302305	<i>Radiatoru ventiļu komplekts termostats</i>		1/2"		16.66	3920032	3789	<i>Pievads divieļu žāvētājam 15 cm</i>		1/2"x15	1	5.65	2110003















	GAB.	EUR	VEIKALS
	7750 <i>Lodveida ventīlis (I-I)</i>		
	3/8"	25	6.15 0620141
	1/2"	25	5.39 0620001
	3/4"	20	7.40 0620002
	1"	10	11.09 0620003
	1,1/4"		19.92 0620048
	1,1/2"		30.68 0620049
2"		48.94 0620050	
	7752 <i>Lodveida ventīlis (I-I)</i>		
	3/8"	25	6.12 0620130
	1/2"	25	5.39 0620004
	3/4"	20	7.36 0620005
1"	10	11.19 0620051	
	7951 <i>Lodveida ventīlis (I-I)</i>		
	4"		111.50 0620102
	7605 <i>Lodveida ventīlis (I-A)</i>		
	1/2"	20	6.23 0620026
	3/4"	15	9.01 0620027
	1"	10	13.54 0620028
	1,1/4"		21.12 0620052
	1,1/2"		31.65 0620053
2"		46.73 0620054	
	7607 <i>Lodveida ventīlis (I-A)</i>		
	3/8"	25	6.34 0620010
	1/2"	20	6.26 0620029
	3/4"	15	8.94 0620030
1"	10	13.52 0620055	
	7645 <i>Lodveida ventīlis (A-A)</i>		
	1/2"	20	6.42 0620006
	3/4"	15	9.48 0620007
	1"	10	13.92 0620056
	1,1/4"		22.70 0620057
	1,1/2"		33.85 0620058
2"		55.86 0620059	
	7647 <i>Lodveida ventīlis (A-A)</i>		
	1/2"	20	6.42 0620008
	3/4"	15	9.45 0620009
1"	10	14.02 0620060	
	<i>Lodveida krāns ar pieslēguzgriezni</i>		
	7650		
	1/2"	15	9.04 0620038
	3/4"	10	13.43 0620039
	1"	6	19.06 0620040
1,1/4"	5	30.91 0620041	
	7950 <i>Lodveida ventīlis gāzei (I-I)</i>		
	1/2"	15	8.91 0620135
	7952 <i>Lodveida ventīlis gāzei (I-I)</i>		
	1/2"	15	9.03 0620134

	GAB.	EUR	VEIKALS
	7955 <i>Lodveida ventīlis gāzei (I-A)</i>		
	1/2"	15	8.38 0620132
	7957 <i>Lodveida ventīlis gāzei (I-A)</i>		
	1/2"	15	8.69 0620133
	7956 <i>Lodveida ventīlis</i>		
	Ø15	15	3.45 0620106
	Ø22	10	5.14 0620107
Ø28	8	7.51 0620108	
	7759 <i>Sistēmas uzpildes ventīlis</i>		
	1/2"		8.93 0620109
	<i>Lodveida ventīlis ar atgaisotāju</i>		
	7615		
	1/2"	10	9.83 0620042
	3/4"	10	4.60 0620043
	1,1/4"		9.75 0620045
1,1/2"		13.40 0620046	
2"		17.00 0620047	
	7620 <i>Lodveida trīsceļu ventīlis</i>		
	1,1/4"		37.60 0620035
	1,1/2"		67.20 0620036
	2"		102.00 0620037
	7300 <i>Dārza krāns</i>		
	1/2"	12	7.49 0620021
	3/4"	10	10.37 0620022
	1"	6	17.13 0620023
	7350 <i>Dārza krāns</i>		
	1/2"	20	7.48 0620024
	3/4"	10	10.39 0620025
	1"	6	18.91 0620061
	7700 <i>Mini ventīlis</i>		
	1/2"	20	4.98 0620011
	7720 <i>Mini ventīlis</i>		
	1/2"	25	4.92 0620012
	5230 <i>Aizbīdnis</i>		
	1/2"	20	7.75 0620062
	3/4"	20	8.73 0620063
	1"	20	12.63 0620064
	1,1/4"	10	19.54 0620119
	1,1/2"	10	25.08 0620120
	2"		37.87 0620121
	2,1/2"		18.20 0620122
3"		24.30 0620123	
	<i>Lodveida ventīlis iebūvei sienā</i>		
	8002		
	1/2"	8	16.80 0620065
3/4"		20.46 0620066	

Noslēgarmatūra

		GAB.	EUR	VEIKALS			GAB.	EUR	VEIKALS
	1772891	<i>Termostata ventilis aksiālais HERTZ TS-90</i>							
		1/2"	15.01	6320005					
	3613	<i>Termostata galva</i>							
		60	13.76	0620086					
	3602	<i>Radiatoru ventilis taisnais</i>							
		1/2"	7.53	0620080					
	3601	<i>Radiatoru ventilis leņķa</i>							
		1/2"	6.43	0620078					
	3604	<i>Balansa ventilis taisnais</i>							
		1/2"	7.36	0620081					
	3603	<i>Balansa ventilis leņķa</i>							
		1/2"	6.35	0620079					
	3630	<i>Drošības vārsts</i>							
		1/2" 3 bar	7.35	0620087					
		3/4" 3 bar	20.75	0620088					
	3631	1/2" 6 bar	7.81	0620143					
		3/4" 6 bar	12.58	0620144					
	4005	<i>Drošības grupa ar manometru</i>							
		6 bar	19.54	1720007					
	4021	<i>Atgaisotais automātiskais taisnais</i>							
			7.27	1720004					
	0200.293	<i>Atgaisotais automātiskais, leņķa</i>							
			6.89	1720005					
	3620	<i>Atgaisotais automātiskais taisnais</i>							
		1/2"	7.33	0620082					
	7009C	<i>Atgaisotais automatiskais leņķa</i>							
		1/2"	12.24	0920002					
	3621	<i>Atgaisotāja pretvārsts</i>							
		1/2"	0.59	0620092					
	9003	<i>Atgaisotājs mehāniskais</i>							
		1/2"	1.94	7420004					
	9825 O	<i>Atgaisotājs mehāniskais</i>							
		1/2"	25	1.52	1720002				
	9825 balts	<i>Korķis ar blīvi hromēts</i>							
		1/2"	25	0.95	7420005				
	9825 Z	<i>Korķis ar blīvi hromēts</i>							
		1/2"	25	1.11	1720003				
	<i>Atslēga radiatora atgaisošanai (metāla)</i>								
	9824 met		1.09	1735011					
	<i>Atslēga radiatora atg. (plastmasa)</i>								
	9824PL		0.35	1735006					
	2500	<i>Gružu filtrs</i>							
		1/2"	150	5.80	0620093				
		3/4"	150	8.10	0620070				
		1"	50	12.05	0620071				
		1,1/4"	50	22.43	0620072				
		1,1/2"	35	27.08	0620073				
		2"	35	43.42	0620074				
		1/2"	18	3.71	2120033				
	1010	<i>Pretvārsts bez sieta</i>							
		1/2"	25	5.71	0620014				
		3/4"	20	7.41	0620015				
		1"	12	10.08	0620016				
		1,1/4"	5	14.25	0620075				
		1,1/2"	5	18.50	0620076				
		2"	3	27.84	0620077				
		2,1/2"		18.20	0620116				
		3"		25.50	0620117				
		4"		38.90	0620118				
	1011	<i>Pretvārsts bez sieta (misīņa disks)</i>							
		1/2"	10	7.87	0620031				
		3/4"	8	10.70	0620137				
		1"	6	14.62	0620138				
	1030	<i>Pretvārsts ar sietu</i>							
		1/2"	25	5.88	0620017				
		3/4"	15	6.50	0620018				
		1"	12	8.18	0620019				
		1,1/4"	6	11.94	0620125				
		1,1/2"	4	15.29	0620126				
		2"	2	21.24	0620127				
	1920	<i>Siets pretvārstam</i>							
		1/2"		1.45	0620067				
		3/4"		1.51	0620068				
		1"		1.80	0620069				
		1,1/4"		2.58	2320108				
		1,1/2"		3.97	2320106				
		2"		4.59	2320107				
	7000	<i>Pretvārsts ar klapi</i>							
		1/2"		7.82	0620110				
		3/4"		10.82	0620111				
		1"		14.25	0620112				
		1,1/4"		20.11	0620113				
		1,1/2"		26.65	0620114				
		2"		40.45	0620115				

		GAB.	EUR	VEIKALS			GAB.	EUR	VEIKALS	
	359	<i>Trīsceļu krāns</i>					<i>Stūra ventīlis</i>			
	1/2"x3/4"x1/2"	10	8.64	2020008		FS-01	1/2"x1/2"	SARKANS	5.12	4920008
								ZILS	5.12	4920009
						FS-02	1/2"x3/4"		5.24	4920010
	678	<i>Krāns ar pagarinošo daļu</i>					<i>Stūra ventīlis</i>			
	3/4"	5	13.51	0120001		FS-03	1/2"x1/2"	SARKANS	4.72	4920011
								ZILS	4.72	4920012
						FS-04	1/2"x3/4"		4.86	4920013
	2242/A	<i>Krāns veļas mašīnai</i>					<i>Stūra ventīlis</i>			
	1/2"x3/4"	15	6.52	2020005		FS-05	1/2"x3/8"x10	SARKANS	5.69	4920014
							1/2"x3/8"x10	ZILS	5.69	4920015
	7830	<i>Krāns veļas mašīnai</i>					<i>Stūra ventīlis</i>			
	1/2"x3/4"		7.06	0620013		FS-06	1/2"x3/8"x10	SARKANS	5.30	4920016
							1/2"x3/8"x10	ZILS	5.30	4920017
	244-030-00	<i>Stūra ventīlis</i>					<i>Krāns veļas mašīnai</i>			
	1/2"x3/8"		6.89	0720003		1/2"x3/4"	5	7.99	0120024	
	7671/IB	<i>Stūra lodveida ventīlis</i>					<i>Stūra krāns veļas mašīnai</i>			
	1/2"x1/2"		5.35	0620139		1/2"x3/8"x3/4"	6	11.75	2020009	
	950/C	<i>Stūra lodveida ventīlis ar filtru</i>					<i>Misiņa krāns vienam ūdenim</i>			
	1/2"x1/2"	20	6.42	2020004		1/2"		13.11	0601001	
	130400	<i>Krāns veļas mašīnai</i>					<i>Drošības vārsts boilerim</i>			
	1/2"x1/2"x3/4"	10	4.43	7420001		1/2"		4.65	0620091	
						3/4"		10.21	0620085	
	694	<i>Stūra ventīlis</i>					<i>Drošības vārsts boilerim ar rokturi</i>			
	1/2"x1/2"	2	5.82	0120006		1/2"		5.57	0620083	
						3/4"		11.46	0620084	
	4080	<i>Krāns veļas mašīnai</i>					<i>Dekoratīvs noslēgs izlietnei hromēts</i>			
	1/2"x3/4"		5.35	0620020		ø43mm	25	6.83	1245004	
							<i>Dekoratīvs noslēgs izlietnei balts</i>			
						ø43mm	10	7.98	1245019	

		GAB. EUR VEIKALS						GAB. EUR VEIKALS			
SLD1001		<i>Lodveida ventīlis (I-I)</i>				SLD204		<i>Dārza krāns ar tvertnes vāciņu</i>			
	1/2"	24/120	3.13	9620003		1/2"	6.04	9620009			
	3/4"	18/90	4.92	9620018		3/4"	6.53	9620010			
	1"	10/50	6.71	9620019		1"	7.19	9620012			
	1,1/4"	8/32	10.69	9620020							
	1,1/2"	6/24	16.88	9620021							
	2"	4/12	22.47	9620022							
SLD1002		<i>Lodveida ventīlis (I-I)</i>				1010 F		<i>Pretvārsts bez sieta</i>			
	1/2"	35/175	3.12	9620007		1/2"	30	4.30	2120001		
	3/4"	18/90	4.91	9620034		3/4"	15	5.69	2120002		
	1"	10/50	6.56	9620035		1"	12	8.03	2120003		
SLD1003		<i>Lodveida ventīlis (I-Ā)</i>				1011 F		<i>Pretvārsts bez sieta (misiņa disks)</i>			
	1/2"	24/120	3.69	9620008		1/2"		5.58	2120013		
	3/4"	18/90	4.63	9620032		3/4"		7.91	2120014		
	1"	10/50	9.06	9620033		1"		11.02	2120015		
	1,1/4"	8/32	10.36	9620015		1,1/4"		17.31	2120016		
	1,1/2"	6/24	20.88	9620016		1,1/2"		22.42	2120017		
	2"	3/12	31.71	9620017		2"		34.45	2120018		
SLD1004		<i>Lodveida ventīlis (I-Ā)</i>				1030 F		<i>Pretvārsts ar sietu</i>			
	1/2"	35/175	3.12	9620001		1/2"	36	4.22	2120004		
	3/4"	18/90	4.65	9620013		3/4"	18	4.80	2120005		
	1"	10/50	7.13	9620014		1"	14	5.87	2120006		
						1,1/4"	8	8.89	2120007		
SLD1016		<i>Lodveida ventīlis ar pieslēguzgriezni</i>				2500/P F		<i>Gružu filtrs ar ausi plombēšanai</i>			
	1/2"	20/100	5.41	9620002		1/2"	12	3.63	2120033		
	3/4"	14/70	9.46	9620023		3/4"		8.46	2120008		
	1"	8/40	12.98	9620044		1"		10.82	2120009		
	1,1/4"	8/32	8.23	9620004		1,1/4"		20.77	2120010		
						1,1/2"		22.62	2120011		
						2"		33.99	2120012		
SLD1018		<i>Lodveida ventīlis (Ā-Ā)</i>				Korķu komplekts alumīnija radiatoriem					
	1/2"	35/175	4.00	9620041	PF RK 552		1/2"Fx1"M	5.55	2120031		
	3/4"	18/90	6.47	9620042	PF RK 553		3/4"Fx1"M	7.25	2120032		
	1"	10/50	6.74	9620043							
SLD1017		<i>Lodveida ventīlis (Ā-Ā)</i>				KAS01		<i>Komplekts taisnais</i>			
	1/2"	24/120	3.90	9620045		1/2"	14.40	3920028			
	3/4"	18/90	6.75	9620046							
	1"	10/50	8.67	9620047							
SLD204		<i>Dārza krāns</i>									
	1/2"	15/60	4.51	9620025							
	3/4"	10/40	5.83	9620026							
	1"	6/24	3.60	9620027							

Modelis	Apraksts	Izmērs	KV2 m³/h	Artikuls	gab./ iep.	VEIKALS EUR
---------	----------	--------	-------------	----------	---------------	-------------

TERMOVĀRSTI


Termostata vārsti HERZ-TS-90 (divcauruļu sistēmām)

	HERZ-TS-90, taisns Pieslēgšana radiatoram ar konusa blīvslēgu. Universāls modelis ar pieslēgšanu vītņotajai caurulei vai kompresijas savienojumam.	1/2	1.0	1 7723 91	20	14.26
		3/4	1.9	1 7723 92	20	21.71
	HERZ-TS-90, leņķa Pieslēgšana radiatoram ar konusa blīvslēgu. Universāls modelis ar pieslēgšanu vītņotajai caurulei vai kompresijas savienojumam.	1/2	1.0	1 7724 91	20	14.26
		3/4	1.9	1 7724 92	20	21.71
	HERZ-TS-90, aksiāls Pieslēgšana radiatoram ar konusa blīvslēgu. Universāls modelis ar pieslēgšanu vītņotajai caurulei vai kompresijas savienojumam.	1/2	1.0	1 7728 91	20	15.01
	HERZ-TS-90, taisns Pieslēgšana radiatoram ar konusa saskrūvi. Pieslēgšana ar kompresijas savienojumu vītne G3/4 ar konusu.	1/2	1.0	1 7733 81	20	14.26
	HERZ-TS-90, leņķa Pieslēgšana radiatoram ar konusa saskrūvi. Pieslēgšana ar kompresijas savienojumu vītne G3/4 ar konusu.	1/2	1.0	1 7724 37	20	14.26
	HERZ-TS-90-Termostata vārsts, aksiāls, ārējā vītne Pieslēgšana radiatoram ar konusa saskrūvi. Pieslēgšana ar kompresijas savienojumu vītne G3/4.	1/2	1.0	1 7748 91	20	16.95


Termostata komplekti

	HERZ-Termostata komplekts, taisns Komplektā: termostata vārsts 1 7723 91 un termostata vārsta galva 1 7260 06	1/2	1.0	1 7723 60		22.25
	HERZ-Termostata komplekts, leņķa Komplektā: termostata vārsts 1 7724 91 un termostata vārsta galva 1 7260 06	1/2	1.0	1 7724 60		22.25
	HERZ-Termostata komplekts, aksiāls Komplektā: termostata vārsts 1 7728 91 un termostata vārsta galva 1 7260 06	1/2	1.0	1 7728 60		22.86


Termostata vārsti HERZ-TS-E ar maksimālu caurplūdi, jebkurām viencauruļu sistēmām, tai skaitā paštesces, un sistēmām ar lielu patēriņu

	HERZ-TS-E, taisns Pieslēgšana radiatoram ar eirokonusa blīvslēgu. Standarta modelis ar vītņotu muffi.	1/2	1.5 / 5.1	1 7723 11	20	18.41
		3/4	1.5 / 5.1	1 7723 02	20	21.71
		1	1.5 / 5.1	1 7723 03	10	33.09

Termostata trīsceļu vārsti CALIS-TS

	Termostata trīsceļu vārsts CALIS-TS Pieslēgšana sistēmai ar plakano blīvslēgu. Pieslēguma veidgabali pasūtāmi atsevišķi.	1/2	2.75	1 7761 01	10	23.72
		3/4	3.2	1 7761 02	10	23.72

Termostata trīsceļu vārsti CALIS-TS 3-asu 3D izpildījumā (termostata galva horizontālā novietojumā)


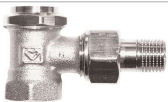


	Termostata trīsceļu vārsts CALIS-TS-3D Vārsts pa kreisi no radiatora. Pieslēgšana sistēmai ar plakano blīvslēgu. Pieslēguma veidgabali pasūtāmi atsevišķi.	1/2	3.5	1 7761 43	10	29.44
		3/4	4.2	1 7761 45	10	30.29
	Termostata trīsceļu vārsts CALIS-TS-3D Vārsts pa labi no radiatora. Pieslēgšana sistēmai ar plakano blīvslēgu. Pieslēguma veidgabali pasūtāmi atsevišķi.	1/2	3.5	1 7761 44	10	29.44
		3/4	4.2	1 7761 46	10	30.29

Modelis	Apraksts	Izmērs	KV2 m ³ /h	Artikuls	gab./ iep.	VEIKALS EUR
TERMOSTATA VĀRSTU GALVAS						
Termostata vārstu galva HERZ ar vītņi M28x1.5, savietojamas ar HERZ vārstiem						
	Termostata vārsta galva Ar šķidro hidrosensoru (Hydrosensor), ar pretaižsalšanas 6°C iestatījumu. Iestatāmā temperatūra 6–28°C. Regulēšanas ierobežošana un bloķēšana ar 1 9551 00 (pasūtāms atsevišķi).			1 7260 06	20	12.03
Termostata vārstu galva HERZ "DESIGN MINI", ar vītņi M28x1.5, savietojamas ar HERZ vārstiem						
	Samazinātas formas termostata vārsta galva Ar šķidrumsensoru (Hydrosensor), Regulēšanas diapazons 6–30 °C, ar noslēgšanas "0" un pretaižsalšanas 6 °C iestatījumiem. Ierobežošana un bloķēšana ar 1 9551 02 (pasūtāms atsevišķi). Izmēri: Garums 75 mm, diametrs 45 mm.			1 9200 30	20	13.84
Termostata vārstu galva "HERZCULES", ar vītņi M28x1.5, savietojamas ar HERZ vārstiem						
	Termostata vārsta galva, īpaši stipras konstrukcijas. Vandālisma, zādzības un nepareizas ekspluatācijas droša. Ar šķidrumsensoru (Hydrosensor), Ieregulējams temperatūras režīms 8–26°C, ar automātisku pretaižsalšanu. Montāža un demontāža tikai ar instrumentiem 1 9554 01 un atslēgu 1 6616 00 (iespējams pasūtīt atsevišķi). Temperatūras režīma iestatīšana ar instrumentu 1 9554 00 (komplektā). Noregulētais regulējums bloķēts. Ieregulējums nobloķētā stāvoklī neredzams.			1 9860 10	20	31.63
Termostata vārstu galva ar uzliekamu kapilāru, ar vītņi M28x1.5, savietojamas ar HERZ vārstiem						
	Termostata vārstu galva ar uzliekamu kapilāru silto grīdu sistēmām Termostata galva ar kapilāru, kapilāra cauruli, stiprinājumu pie caurules. Regulēšanas diapazons 20–50°C, kapilāra caurulītes garums 2000mm.			1 7420 06	10	35.32
Iegremdējama čaula						
	Iegremdējama čaula, misiņa priekš 7420/7421, 9421, ar ārēju 1/2" vītņi.			1 6313 01	20	6.76
Termostata vārstu galva HERZ - DESIGN ar iznestu devēju, ar vītņi M28x1.5, savietojamas ar HERZ vārstiem						
	Termostata vārsta galva ar iznestu devēju Termostats ar šķidrumsensoru (Hydrosensor), kapilāra caurulīte un kapilārs. Temperatūras regulēšanas diapazons 6–30°C, ar noslēgšanas "0" un pretaižsalšanas 6°C iestatījumiem. Ierobežošana un bloķēšana ar 1 9551 00 (pasūtāms atsevišķi). Kapilāra caurules garums 2000 mm.			1 9430 08	10	37.41
Termostata vārstu galva HERZ-H, ar vītņi M 30x1.5, radiatoriem ar iebūvētu vārstu ("Heimeier" un citi)						
	Termostata vārsta galva HERZ "H" Iestatāmā temperatūra 6–28°C, nav mehāniski slēdzama, automātiska pretaižsalšanas temperatūra 6°C. Regulēšanas ierobežošana un bloķēšana ar 1 9551 00 (pasūtāms atsevišķi).			1 7260 98	20	12.03
Termostata vārstu galva "HERZCULES-H", ar vītņi M30x1.5, savietojamas ar HERZ vārstiem						
	Termostata vārsta galva, īpaši stipras konstrukcijas. Vandālisma, zādzības un nepareizas ekspluatācijas droša. Ar šķidro sensoru (Hydrosensor), Ieregulējams temperatūras režīms 8–26°C, ar automātisku pretaižsalšanu. Montāža un demontāža tikai ar instrumentiem 1 9554 01 un atslēgu 1 6616 00 (iespējams pasūtīt atsevišķi). Temperatūras režīma iestatīšana ar instrumentu 1 9554 00 (komplektā). Noregulētais regulējums bloķēts. Ieregulējums nobloķētā stāvoklī neredzams.			1 9860 98	20	31.63
Termostata vārstu galva HERZ "DESIGN MINI-H", ar vītņi M30x1.5, savietojamas ar HERZ vārstiem						
	Samazinātas formas termostata vārsta galva GS Ar šķidrumsensoru (Hydrosensor), regulēšanas diapazons 6–30°C, ar noslēgšanas "0" un pretaižsalšanas 6°C iestatījumiem. Ierobežošana un bloķēšana ar 1 9551 02 (pasūtāms atsevišķi).			1 9200 83	20	13.84
Termostata vārstu galva HERZ DESIGN "D" "Danfoss" vārstiem						
	Termostata vārstu galva HERZ "D" Ar šķidrumsensoru (Hydrosensor), regulējamās temperatūras diapazons 6–28°C, nav mehāniski noslēdzama, automātisks pretaižsalšanas 6°C iestatījums. Temperatūras regulējuma ierobežošana un bloķēšana iespējama.			1 7260 99	20	12.03
Termonesēja temperatūras ierobežotājs-regulators HERZ-"MINI"						
	Atpakaļgaitas temperatūras regulēšanas galva, 25-60°C HERZ-MINI Regulē atpakaļgaitas temperatūru robežās 25-60°C, ierobežošana un bloķēšana ar 1 9551 02 (pasūtāms atsevišķi). Savietojama ar HERZ termostata vārstiem.			1 9201 00	10	23.21





Modelis	Apraksts	Izmērs	KV2 m³/h	Artikuls	gab./ iep.	VEIKALS EUR
---------	----------	--------	-------------	----------	---------------	-------------

ATPAKAĻGAITAS NOSLĒGVĀRSTI


Atpakaļgaitas noslēgvārsti HERZ-RL-5, ar iepēju balansēt un iztukšot sistēmu

	HERZ-RL-5, taisns Priekšiestatīšana, uzpilde un izlaišana. Pievienošana radiatoram ar konisku blīvslēgu. Universālais modelis vītņotajai caurulei vai kompresijas savienojumam.	1/2		1 3923 01	20	10.35
		3/4		1 3923 02	20	14.26
	HERZ-RL-5, leņķa Priekšiestatīšana, uzpilde un izlaišana. Pievienošana radiatoram ar konisku blīvslēgu. Universālais modelis vītņotajai caurulei vai kompresijas savienojumam.	1/2		1 3924 01	20	10.35
		3/4		1 3924 02	20	14.26
	HERZ-RL-5, taisns, ārēja vītne Pieslēgšana radiatoram ar eirokonusa saskrūvi. Pieslēgšana sistēmai ar kompresijas savienojumu ārējā vītne G3/4 ar eirokonusu.	1/2		1 3937 11	20	10.50
	HERZ-RL-5, leņķa, ārēja vītne Pieslēgšana radiatoram ar eirokonusa saskrūvi. Pieslēgšana sistēmai ar kompresijas savienojumu ārējā vītne G3/4 ar eirokonusu.	1/2		1 3948 11	20	10.35

Atpakaļgaitas noslēgvārsti HERZ-RL-1


	HERZ-RL-1, taisns Pievienošana radiatoram ar konisku blīvslēgu. Universālais modelis vītņotajai caurulei vai kompresijas savienojumam.	1/2		1 3723 41	20	8.08
		3/4		1 3723 42	20	10.86
	HERZ-RL-1, leņķa Pievienošana radiatoram ar konisku blīvslēgu. Universālais modelis vītņotajai caurulei vai kompresijas savienojumam.	1/2		1 3724 41	20	8.08
		3/4		1 3724 42	20	10.86
	HERZ-RL-1, taisns, ārēja vītne Pieslēgšana radiatoram ar eirokonusa saskrūvi. Pieslēgšana sistēmai ar kompresijas savienojumu ārējā vītne G3/4 ar eirokonusu.	1/2		1 3733 11	20	9.37
	HERZ-RL-1, leņķa, ārēja vītne Pieslēgšana radiatoram ar eirokonusa saskrūvi. Pieslēgšana sistēmai ar kompresijas savienojumu ārējā vītne G3/4 ar eirokonusu.	1/2		1 3748 01	20	9.37

Atpakaļgaitas noslēgvārsti HERZ RL-1-E ar palielinātu caurplūdi


	HERZ-RL-1-E, taisns Pieslēgšana radiatoram ar eirokonusa blīvslēgu. Standarta modelis ar vītņotu muffi.	1/2		1 3723 01	20	23.23
		3/4		1 3723 02	20	26.16
		1		1 3723 03	10	51.65

KOMPRESIJAS SAVIENOJUMI


Eirokonuss pievienojuma veidgabali daudzslāņu un polimēra caurulēm, PE-X, PB-, PE- un daudzslāņu caurulēm

	Kompresijas savienojums plastmasas un daudzslāņu caurulei Blīvējumam izmantoti gumijas gredzeni un kompresijas gredzens. Sastāv no nipeļa, kompresijas gredzena, un gredzena ar vītņi G3/4 eirokonusam.	G 3/4	16x2	1 6098 03	10	3.46
		G 3/4	20x2	1 6098 08	10	3.46

Eirokonuss pievienojuma veidgabali dzelzs un kapara caurulēm

	Pieslēguma veidgabals ar elastīgu blīvējumu Kompresijas gredzens, masīvs gumijas blīvējums (EPDM) un vītņots gredzens ar vītņi G 3/4. Īpaši ieteicams lietot hromētām dzelzs un leģētā tērauda caurulēm.	G 3/4	15	1 6276 15	10	2.96
---	--	-------	----	-----------	----	------


Pievienojuma veidgabali dzelzs un kapara caurulēm

	Pieslēguma veidgabals ar metāla blīvgredzenu. Metāla kompresijas ieliekams gredzens un stiprinājuma nipelis ar konusu.	1/2x15		1 6292 01	10	1.59
---	--	--------	--	-----------	----	------


Modelis	Apraksts	Izmērs	KV2 m³/h	Artikuls	gab. iep.	VEIKALS EUR
---------	----------	--------	-------------	----------	--------------	-------------

DVIEĻU ŽĀVĒTĀJU PIEVIENOJUMI


Leņķa termovārsts divieļu žāvētāja pieslēgšanai VUA-50


	HERZ-VUA-50-leņķa-2-cauruļu sistēma-Design-nalasāma priekšiestatīšana 4-ceļu leņķa vārsts 2-cauruļu sistēmām, ar priekšiestatīšanu, ar plūsmas cauruli L-290mm, D-11mm, bez pārplūdes, ar hromētu pārklājumu, termogalvas pievienojuma vītne-M28x1.5, cauruļu starpcentru attālums-50mm, pievienojuma vītne-M22x1.5	hromēts		S 7684 41	1	65.64
		balts		S 7684 44	1	63.40

Termostata vārstu galva


	Termostatiska galva MINI-GS-Design (hromēta) Ar šķidrums sensoru (Hydrosensor), ar noslēgšanas pozīciju "0" un pretaizsalšanas pozīciju 6°C. Temperatūras regulēšana un bloķēšana diapazonā 6–30°C. M28x1.5			S 9200 31	1	29.37
---	--	--	--	------------------	---	--------------

Pieslēguma komplekts – M22x1.5

	Pieslēguma komplekts-Design-M22x1.5 (hromēts) Ar gumijas blīvgredzenu no cauruļu stiprinājuma puses, uzgrieznis M22x1.5 Hromēts uzgrieznis	15		S 6286 15	10	10.75
---	---	----	--	------------------	----	--------------


	Pieslēguma komplekts-Design-M22x1.5 (hromēts) Priekš PE-X, PB un metālpolimēra caurulēm. Kompresijas gredzena uzgrieznis M22x1.5. Hromēts uzgrieznis	16x2		S 6066 16	10	12.19
---	--	------	--	------------------	----	--------------

	HERZ Radiatora termoregulatoru komplekts 1/2", taisns 1762367+1726006+1372341	1/2"		V772301	10	26.13
---	---	------	--	----------------	----	--------------






	HERZ Radiatora termoregulatoru komplekts 1/2", leņķa. 1762467+1726006+1372441	1/2"		V772401	10	26.13
---	---	------	--	----------------	----	--------------

	HERZ Radiatora termoregulatoru komplekts 1/2", aksiālais. 1772891+1726006+1372441	1/2"		V772891	10	26.13
---	---	------	--	----------------	----	--------------

	HERZ stūra ventīlis 1/2"-1/2"	1/2"		1255101		4.18
---	--------------------------------------	------	--	----------------	--	-------------

	HERZ stūra ventīlis 1/2"-3/8" un 3/4"	1/2"		1255201		5.74
---	--	------	--	----------------	--	-------------






Modelis	Apraksts	Izmērs	KV2 m³/h	Artikuls	gab./iep.	VEIKALS EUR
TRĪSCEĻU VĀRSTI						
Termostatisks trīsceļu jaucējvārsts HERZ-TEPLOMIX						
	Termostatisks trīsceļu jaucējvārsts HERZ-TEPLOMIX "Teplomix" 3-ceļu jaucējvārsts ir paredzēts uzstādīšanai katlu apsāistes atpakaļgaitā, temperatūras paaugstināšanai tajā. Rūpnīcas iestatījums sajaukšanas temperatūrai. Ar korķi noslēgts 3/8 pieslēgums tīrīšanai. Maksimālā ekspluatācijas temperatūra 110 °C. Modeļiem 7766 03 un 7766 04 nenoslēdzams "bypass", "bypass" zarā nepieciešams uzstādīt balansējošo vārstu. Temp. atpakaļgaitā 61 °C. Modeļiem 7766 13 un 7766 14 noslēdzams "bypass", temp. atpakaļgaitā 55–63 °C. (maks. novirze 10%). DN 25, Kvs=11; DN 32, Kvs=14	1	11	1 7766 13	1	69.56
		1 1/4	14	1 7766 14	1	71.31
Trīsceļu jaucējvārsts ar rokturi						
	Trīsceļu jaucējvārsts, PN 10 Iekšējās vītnes. Korpus un cilindrs no DZR-misiņa. EPDM blīvējums. Temperatūru diapazons -10°C līdz +110°C.	3/4	6.3	1 2137 02	1	32.67
		1	10	1 2137 03	1	46.44
Trīsceļu jaucējvārsta motors						
	Trīsceļu jaucējvārsta motors HERZ NR 230-455, 230 V			1 7712 63	1	114.13
Pārplūdes vārsti HERZ, spiediena starpības noturēšanai						
	Pārplūdes vārsts spiediena starpības noturēšanai, taisns Korpus no misiņa, niķelēts. Pieslēgšana sistēmai ar plakanā blīvējuma saskrīvi. Pievienojuma veidgabali pasūtāmi atsevišķi.	1/2	10-2000 l/h	1 4004 31	1	26.41
BALANSIERI						
Balansēšanas vārsti HERZ ar mērdiafragmu un mērnipeļiem, slīps Y-veida						
	Balansēšanas vārsts STRŌMAX FODRV, ar mērdiafragmu un mērnipeļiem spiediena starpības mērīšanai, jaunais modelis Izgatavots no cinka izskalošanas noturīga DZR misiņa, iekšējās vītnes mufle x mufle. Vārpstas blīvējums ar dubultu gredzenu (ORing). Priekšiestatīšana ar stienģa gājienu garuma ierobežošanu, Iestatījuma nolasišana roktura displejā. 2 mērnipeļi (1 0284). Mērījuma nolasišanai mērnipeļu pagarinājumi un drenāžas ventīlis pasūtāmi atsevišķi. Pieslēguma veidgabali: DN 15: adapteris 1 6266 01 un kompresijas savienojums G3/4 (pasūtāms atsevišķi). DN 20: adapteris 1 6266 20 un kompresijas savienojums G3/4 (pasūtāms atsevišķi).	1/2	2.00	1 4017 01	10	39.75
		3/4	3.60	1 4017 02	10	44.17
		1	6.50	1 4017 03	10	52.09
		1 1/4	13.30	1 4017 04	5	62.29
Balansēšanas vārsti HERZ, STRŌMAX-GM, patēriņa mērīšanai un regulēšanai, ar iekšējo vītņi, vārpsta taisna						
	Balansēšanas vārsts STRŌMAX-GM, taisns, ar mērnipeļiem Iekšējās vītnes mufle x mufle; Vārpsta blīvēta ar diviem gumijas blīvgredzeniem O-Ring. Priekšiestatīšana ar gājienu ierobežošanu, Iestatījuma nolasišana roktura displejā. 2 mērnipeļi (1 0284) montēti blakus rokturim. DN 15–DN 50: 2 pieslēgumi ar vītņi 1/4" noslēgti ar korķiem 1 0273 09 DN 65–DN 80: 2 pieslēgumi ar vītņi 3/8" noslēgti ar korķiem 1 0273 00. Priekšiestatīšanas plombe 1 6517 04 un zīme 1 6517 05 komplektā. Nolaišanas vārsts 276 pasūtāms atsevišķi. Pieslēguma veidgabali: DN 15: adapteris 1 6266 01 un kompresijas savienojums G3/4 (pasūtāms atsevišķi) DN 20: adapteris 1 6266 20 un kompresijas savienojums G3/4 (pasūtāms atsevišķi)	1/2	6.00	1 4217 01	10	54.99
		3/4	6.88	1 4217 32	10	67.66
		1	13.23	1 4217 33	10	76.38
		1 1/4	18.91	1 4217 34	5	97.07
Balansēšanas vārsti HERZ 4117 patēriņa regulēšanai un spiediena starpības izmērīšanai, ar slīpu vārpstu, Y-veida						
	Balansēšanas vārsts STRŌMAX-M, patēriņa regulēšanai un spiediena starpības mērīšanai, ar slīpu vārpstu un mērnipeļiem Ar iekšējām vītņēm, vārpstas blīvējums ar gumijas blīvgredzeniem, Priekšiestatīšana ar vārpstas gājienu ierobežošanu. Vārsta sēža blīvējas ar gumijas blīvgredzenu. DN 15–DN 20: 2 pievienojumi ar vītņi 1/4 mērnipeļiem (komplektā mērnipeļi), 1 pievienojums ar vītņi 1/4 nolaišanas vārstam HERZ, noslēgts ar korķi. DN 20–DN 50: 2 pievienojumi ar vītņi 1/4 mērnipeļiem (komplektā mērnipeļi), 2 pievienojums ar vītņi 1/4 nolaišanas vārstam HERZ, noslēgts ar korķi. DN 65–DN 80: 2 pievienojumi ar vītņi 1/4 mērnipeļiem (komplektā mērnipeļi), 2 pievienojums ar vītņi 3/8 nolaišanas vārstam HERZ, noslēgts ar korķi. Pieslēguma veidgabali: DN 15: Universālais modelis vītņotas caurules pievienošanai vai kompresijas savienojumiem. DN 20: Adapteris 1 6266 20 un kompresijas savienojums ar vītņi G3/4. Adapteris un kompresijas savienojums pasūtāms atsevišķi.	1/2	4.75	1 4117 51	10	24.36
		3/4	6.12	1 4117 52	10	32.42
		1	10.40	1 4117 53	10	39.62
		1 1/4	15.97	1 4117 54	5	53.53





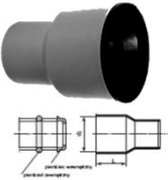



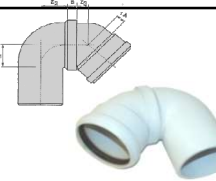





Apraksts	Artikuls	Mērv.	VEIKALS
HERZ-LINE PE-RT 16x2mm, sarkana, 240m rullī	HZ162240 (6319029)	m	€ 0.72
HERZ-LINE PE-RT 16x2mm, sarkana, 480m rullī	HZ162480 (6319030)	m	€ 0.72
HERZ-LINE PE-RT 16x2mm, sarkana, 600m rullī	HZ162600 (6319023)	m	€ 0.72
HERZ-LINE PE-RT 20x2mm, sarkana, 240m rullī	HZ202240 (6319024)	m	€ 1.01


Tehniskais parametrs	16x2.0	17x2.0	20x2.0
Materiāls	PE-RT Polietilēns ar augstu temperatūras noturību	PE-RT Polietilēns ar augstu temperatūras noturību	PE-RT Polietilēns ar augstu temperatūras noturību
Pasūtīšanas apzīmējums	PE-RT 16X2	PE-RT 17X2	PE-RT 20X2
Tips	5-sāņu plastmasas caurule	5-sāņu plastmasas caurule	5-sāņu plastmasas caurule
Ārējais diametrs (mm)	16	17	20
Sieniņas biezums (mm)	2	2	2
Iekšējais diametrs (mm)	12	13	16
Caurules svārs(g./m)	90	100	120
Svārs ar ūdeni (g./m)	203	233	321
Iekšējais tilpums (l/m)	0.113	0.133	0.201
Izplešanās koeficients (mm/mK)	0.19	0.19	0.19
Siltumvadītspēja (W/mK) vidējā	0.35	0.35	0.35
Skābekļa difūzija (mg/lđ)	<0.1	<0.1	<0.1
Maksimālā darba temperatūra (°C)	70	70	70
Maksimālais darba spiediens (bar) pie 70°C	6	6	6
Ārkārtas temperatūras noturība °C	90	90	90
Blīvums (g/cm ³)	0.933	0.933	0.933
Liekšanas rādiuss *	5 x od	5 x od	5 x od
Krāsa	Sarkana	Sarkana	Sarkana
Metri rullī (m)	240, 480, 600	240	240
Slāņu struktūra	PE-RT Adhezīvs (līme) Skābekļa barjera Adhezīvs (līme) PE-RT	PE-RT Adhezīvs (līme) Skābekļa barjera Adhezīvs (līme) PE-RT	PE-RT Adhezīvs (līme) Skābekļa barjera Adhezīvs (līme) PE-RT
Pielietojums	Silto grīdu un sienas paneļu apsildes sistēmās	Silto grīdu un sienas paneļu apsildes sistēmās	Silto grīdu un sienas paneļu apsildes sistēmās


		VEIKALS	EUR			VEIKALS	EUR		
		<i>Caurule ar uznavu</i>				<i>Atzars</i>			
	800					802			
	DN 32/250	0.86	6180001	DN 50/32; 45°	1.63	6180041			
	DN 32/500	1.01	6180002	DN 50/32; 67°	1.81	6180042			
	DN 32/1000	1.66	6180003	DN 50/32; 90°	1.65	6180043			
	DN 32/2000	2.94	6180004	DN 50/40; 45°	2.05	6180118			
	DN 40/150	0.99	6180111	DN 50/40; 67°	2.11	6180113			
	DN 40/250	1.07	6180005	DN 50/40; 90°	2.11	6180119			
	DN 40/500	1.17	6180006	DN 50/50; 45°	1.18	6180044			
	DN 40/1000	1.76	6180007	DN 50/50; 67°	1.18	6180045			
	DN 40/1500	5.00	6180112	DN 50/50; 90°	1.18	6180046			
	DN 40/2000	3.84	6180008	DN 75/50; 45°	2.33	6180075			
	DN 50/150	1.00	6180110	DN 75/50; 67°	2.32	6180076			
	DN 50/250	1.12	6180009	DN 75/50; 90°	2.33	6180077			
	DN 50/500	1.21	6180010	DN 75/75; 45°	2.34	6180072			
	DN 50/1000	1.94	6180011	DN 75/75; 67°	2.40	6180073			
	DN 50/1500	3.07	6180089	DN 75/75; 90°	2.35	6180074			
	DN 50/2000	3.45	6180012	DN 110/50; 45°	2.24	6180047			
	DN 75/150	1.88	6180116	DN 110/50; 67°	2.19	6180048			
	DN 75/250	1.72	6180066	DN 110/50; 90°	2.19	6180049			
	DN 75/500	2.35	6180067	DN 110/75; 45°	3.99	6180071			
	DN 75/1000	3.60	6180068	DN 110/75; 67°	4.69	6180104			
	DN 75/2000	6.64	6180069	DN 110/75; 90°	3.51	6180070			
	DN 110/150	2.14	6180109	DN 110/110; 45°	2.96	6180050			
	DN 110/250	2.00	6180013	DN 110/110; 67°	2.81	6180051			
	DN 110/500	2.94	6180014	DN 110/110; 90°	2.86	6180052			
	DN 110/1000	4.72	6180015						
	DN 110/1500	7.62	6180088						
DN 110/2000	8.31	6180016							
		<i>Līkums</i>				<i>Redukcija garā</i>			
	801					803			
	DN 32/15°	0.77	6180017	DN 40/32 (BALTA)	1.29	6180097			
	DN 32/30°	0.71	6180018	DN 50/32 (BALTA)	0.85	6180053			
	DN 32/45°	0.71	6180019	DN 50/40	0.87	6180054			
	DN 32/67°	0.73	6180020	DN 75/50	1.52	6180085			
	DN 32/90°	0.71	6180021	DN 110/50	1.15	6180055			
	DN 40/15°	1.12	6180092	DN 110/75	1.61	6180081			
	DN 40/30°	0.77	6180091						
	DN 40/45°	0.70	6180022						
	DN 40/67°	1.12	6180090						
	DN 40/90°	0.70	6180023						
	DN 50/15°	0.75	6180024						
	DN 50/20°	0.75	6180025						
	DN 50/30°	0.70	6180026						
	DN 50/45°	0.70	6180027						
	DN 50/67°	0.70	6180028						
	DN 50/90°	0.70	6180029						
	DN 75/15°	1.53	6180117						
	DN 75/30°	1.74	6180083						
	DN 75/45°	1.69	6180079						
	DN 75/67°	1.70	6180084						
DN 75/90°	1.60	6180078							
DN 110/15°	1.55	6180030							
DN 110/20°	1.89	6180031							
DN 110/30°	1.60	6180032							
DN 110/45°	1.65	6180033							
DN 110/67°	1.67	6180034							
DN 110/90°	1.84	6180035							
		<i>Atzars</i>				<i>Dubultatzars</i>			
	802					804			
	DN 32/32; 45°	1.32	6180036	DN 50/50/50; 45°	3.81	6180096			
	DN 32/32; 67°	1.27	6180037	DN 50/50/50; 67°	3.58	6180107			
	DN 32/32; 90°	1.32	6180038	DN 50/50/50; 90°	3.53	6180087			
	DN 40/40; 45°	1.64	6180039	DN 110/50/50; 45°	10.93	6180100			
	DN 40/40; 67°	1.53	6180093	DN 110/50/50; 67°	10.41	6180108			
DN 40/40; 90°	1.58	6180040	DN 110/50/50; 90°	9.99	6180101				
				DN 110/75/75; 67°	8.16	6180121			
				DN 110/110/110; 45°	9.00	6180094			
				DN 110/110/110; 67°	7.98	6180106			
				DN 110/110/110; 90°	7.85	6180095			
						<i>Stūra dubultatzars</i>			
						805			
						DN 110/110/110; 67°	22.36	6180123	
						DN 110/110/110; 90°	14.44	6180105	
						<i>Dubultuzmava ar ierobežotāju</i>			
						806			
						DN 40	1.42	6180056	
						DN 50	1.38	6180057	
						DN 75	2.53	6180082	
						DN 110	2.63	6180058	


IEKŠĒJĀ KANALIZĀCIJA


	807	<i>Revīzija</i>		
	DN 50	1.64	6180059	
	DN 75	3.53	6180080	
	DN 110	3.36	6180060	
	808	<i>Slīdmufe</i>		
	DN 32	1.07	6180061	
	DN 40	1.24	6180062	
	DN 50	1.32	6180063	
	DN 75	2.77	6180086	
	DN 110	2.46	6180064	
	809	<i>Kompensators</i>		
	DN 40	2.47	6180114	
	DN 50	2.58	6180099	
	DN 75	3.76	6180124	
	DN110	4.14	6180098	
	810	<i>Korķis</i>		
	DN 32	0.54	6180126	
	DN 40	0.62	6180152	
	DN 50	0.54	6180134	
	DN 75	0.93	6180153	
	811	<i>Pāreja uz čugunu ar gumiju</i>		
	DN 50	2.78	6180136	
	DN 75	4.50	6180125	
	DN 110	5.17	6180137	
	DN 160	8.20	6180145	
	812	<i>Gaisa vārsts</i>		
	DN 50	3.12	6180132	
	DN 75	4.33	6180154	
	DN 110	16.99	6180133	
	817	<i>Gaisa vārsts Ø50</i>		
	50	5.28	6180139	
	110	12.49	6180140	
	814	<i>Redukcijas līkums</i>		
	50/32; 90°	0.75	6180065	
	815	<i>Grozāms līkums</i>		
	DN 50 (BALT)	1.58	6180127	
	DN 100 (BAL)	4.27	6180128	
	819	<i>Ventilācijas jumtiņš</i>		
	50	3.38	6180141	
	110	8.40	6180142	
		<i>Kanalizācijas gaisa vārsts</i>		
	CEP3240	17.24	6180161	
	CEP4050	19.31	6180157	
	CEP100	31.20	6180158	


	816	<i>Labošanas uzdeva - pāreja</i>		
	DN 50	3.19	6180159	
	DN 110	4.93	6180150	
	803Z	<i>Redukcija zemā</i>		
	DN 110/50	1.89	6180115	
	DN 110/75	2.23	6180146	
	DN 40/32	1.18	6180147	
	DN 50/40	1.18	6180148	
	823	<i>Labošanas redukcija</i>		
	DN 110/50	3.95	6180151	
	FKV00A0	<i>WC pretnopludināšanas vārsts</i>		
	DN 110	7.90	6880012	
		<i>Univers.pieslēgums kanalizācijai</i>		
	COS0A48	DN 110/40	15.50	6850045
	COS0A58	DN 110/50	15.50	6850046
	5000	<i>Kanalizācijas pretvārsts</i>		
	Ø50	16.69	6180138	
	GEB-GEBEX PLUS			
	400 gr	5.11	6766025	
	Uz silikona bāzes veidota formula visu veidu cauruļvadu eļļošanai: plastmasas, čuguna, betona, u.c., kā arī gumijas blīvju aizsardzībai jebkuros laika apstākļos.			
	GEB-GEBEX			
	200 gr	3.62	6766015	
	500 gr	5.17	6766016	
Montāžas smēre cauruļvadiem kura nesatur silikonu. Pielieto plastikas cauruļvadu montāžā, uzdevās un gumijas blīvju uzstādīšanā u.c. *Piemērots spiediena un kanalizācijas caurulēm. *Nodrošina vieglu slīdēšanu. *Aizsargā gumijas blīvējumus.				
	813	<i>HT smērievla</i>		
	150 gr.	3.23	6866003	
	250 gr.	3.76	6866004	
	1000 gr	10.25	6866005	
		<i>Trose cauruļu tīrīšanai</i>		
	150 cm	4.45	7435001	
	250 cm	5.84	7435002	
	350 cm	7.71	7435003	
	500 cm	10.34	7435004	
	750 cm	20.79	7435005	
	VANTUSS	<i>Vantūzis</i>		
		4.15	2935007	


	VEIKALS	EUR	
850	<i>Caurule ar uznavu SN4</i>		
	DN 110/500	5.37	5467001
	DN 110/1000	6.37	5467002
	DN 110/2000	11.79	5467003
	DN 110/3000	19.83	5467004
	DN 125/500	5.97	5467008
	DN 125/1000	8.07	5467009
	DN 125/2000	16.36	5467010
	DN 160/500	9.22	5467012
	DN 160/1000	11.43	5467013
	DN 160/2000	21.65	5467014
DN 160/3000	33.48	5467015	
DN 200/1000	18.09	5467019	
DN 200/2000	34.27	5467020	
DN 200/3000	53.74	5467021	


	VEIKALS	EUR	
850/8	<i>Caurule ar uznavu SN8, trīsslāņu</i>		
	DN 110/500		5467098
	DN 110/1000		5467024
	DN 110/2000		5467025
	DN 110/3000		5467007
	DN 160/500	7.74	5467099
	DN 160/1000		5467029
	DN 160/2000		5467030
	DN 160/3000		5467031
	DN 200/1000		5467034
	DN 200/2000		5467035
DN 200/3000	47.97	5467036	


	VEIKALS	EUR	
851	<i>Līkums</i>		
	DN 110/15°	2.13	5467039
	DN 110/30°	2.39	5467040
	DN 110/45°	2.39	5467041
	DN 110/67°	2.69	5467042
	DN 110/87,5°	2.95	5467043
	DN 125/15°	4.06	5467044
	DN 125/30°	2.69	5467045
	DN 125/45°	4.80	5467046
	DN 125/67°	4.34	5467047
	DN 125/87,5°	5.42	5467048
	DN 160/15°	5.18	5467049
	DN 160/30°	4.68	5467050
	DN 160/45°	5.06	5467051
	DN 160/67°	9.08	5467052
	DN 160/87,5°	9.37	5467053
	DN 200/15°	12.99	5467054
	DN 200/30°	12.99	5467055
	DN 200/45°	12.96	5467056
DN 200/67°	12.71	5467057	
DN 200/87,5°	14.25	5467058	


	VEIKALS	EUR	
861	<i>Pāreja uz čugunu ar gumiju</i>		
	DN110	9.28	5467101
	DN160	13.98	5467102

	VEIKALS	EUR	
852	<i>Atzars</i>		
	DN 110/110; 45°	5.47	5467059
	DN 110/110; 67°	4.55	5467060
	DN 110/110; 87°	4.26	5467061
	DN 125/110; 45°	6.48	5467062
	DN 125/110; 87°	5.61	5467063
	DN 125/125; 45°	7.67	5467064
	DN 125/125; 87°	8.11	5467065
	DN 160/110; 45°	8.54	5467066
	DN 160/110; 87°	11.12	5467067
	DN 160/125; 45°	11.02	5467068
	DN 160/125; 87°	9.77	5467069
	DN 160/160; 45°	12.95	5467070
	DN 160/160; 87°	12.08	5467071
	DN 200/110; 45°	20.09	5467072
	DN 200/110; 87°	15.16	5467073
	DN 200/125; 45°	16.32	5467074
	DN 200/125; 87°	14.96	5467075
	DN 200/160; 45°	22.03	5467076
DN 200/160; 87°	20.45	5467077	
DN 200/200; 45°	27.91	5467078	
DN 200/200; 87°	22.94	5467079	


	VEIKALS	EUR	
853	<i>Redukcija</i>		
	DN 125/110	5.89	5467080
	DN 160/110	3.81	5467081
	DN 160/125	3.95	5467082
	DN 200/160	9.84	5467084


	VEIKALS	EUR	
856	<i>Dubultuzmava ar ierobežotāju</i>		
	DN 110	4.62	5467026
	DN 125	3.75	5467106
	DN 160	5.98	5467027
	DN 200	12.64	5467028


	VEIKALS	EUR	
858	<i>Slīdmufe</i>		
	DN 110	3.35	5467085
	DN 125	3.89	5467086
	DN 160	5.10	5467087
	DN 200	10.96	5467088

	VEIKALS	EUR	
857	<i>Revīzija</i>		
	DN 110	7.22	5467089
	DN 160	13.82	5467090
	DN 200	68.30	5467091

	VEIKALS	EUR	
857-VS	<i>Revīzija ar skrūvēm</i>		
	DN 160	22.22	5467096
	DN 200	56.93	5467097

	VEIKALS	EUR	
860	<i>Korķis</i>		
	DN 110	1.52	5467092
	DN 160	2.66	5467093
	DN 200	4.79	5467094

	VEIKALS	EUR	
5000	<i>Pretvārstis</i>		
	DN 110	44.36	5467103
	DN 160	59.01	5467104
	DN 200	138.93	5467105

	VEIKALS	EUR	
866	<i>Labošanas uzmava - pāreja</i>		
	DN 110	5.53	5467100

UZLIEKAMĀS KERAMISKĀS IZLIETNES (SPĀNIJA)

VEIKALS EUR

VEIKALS EUR

0051B TORINO B

8575074
132.60

4053N VENECIA

8575051
243.43

0051N TORINO

8575108
143.00

0015 CACERES

8575005
112.74

0040B YIN YANG

8575045
117.62

0052 CERDENA

8575023
97.89

4156 ETNA

8575113
171.04

0037 GERONA

8575021
147.32

4913 NEW BERGAMO

8575102
117.35

4129 LIVORNO 55

8575098
196.74

0028 BAYONA

8575009
130.81

0041 SARDINERO

8575022
175.68

UZLIEKAMĀS KERAMISKĀS IZLIETNES (SPĀNIJA)

VEIKALS EUR

VEIKALS EUR

	<p>4122</p>	<p>DINAN</p> <p>8575093</p> <p>143.63</p>
	<p>0043</p>	<p>OPORTO</p> <p>8575013</p> <p>177.11</p>
	<p>4010</p>	<p>TT2</p> <p>8575052</p> <p>182.21</p>
	<p>0034N</p>	<p>MALAGA NEW</p> <p>8575088</p> <p>212.85</p>
	<p>0062</p>	<p>FUNCHIAL</p> <p>8575043</p> <p>186.85</p>
	<p>4020</p>	<p>PURE</p> <p>8575058</p> <p>179.11</p>

	<p>4071</p>	<p>OLEA</p> <p>8575035</p> <p>157.46</p>
	<p>0025</p>	<p>RIMINI</p> <p>8575044</p> <p>185.05</p>
	<p>0023</p>	<p>MANCHESTER</p> <p>8575029</p> <p>254.42</p>
	<p>0065B</p>	<p>FUENGIROLO</p> <p>8575116</p> <p>193.57</p>
	<p>4088</p>	<p>NILO 60</p> <p>8575083</p> <p>391.51</p>
	<p>4171</p>	<p>KILIMANJARO</p> <p>8575109</p> <p>427.85</p>

UZLIEKAMĀS KERAMISKĀS IZLIETNES (SPĀNIJA)

VEIKALS EUR

VEIKALS EUR

0046 **NAPOLIS**
 8575063
130.07

0017B **TURIN**
 8575050
179.11

4106 **BRUSELAS**
 8575085
236.73

4065 **LIEBANA 60**
 8575103
137.89

0078 **ICE CREAM**
 8575046
204.03

0092B **MAGDALENA**
 8575002
189.77

0066 **JEREZ**
 8575028
113.54

0040N **VIENA NEW**
 8575106
145.60

0012B **CASTELLON**
 8575038
123.02

WBX101 **Uz velas mašīnas 60X60**
 8275042
179.39

4069 **SICILIA**
 8575081
134.68

WBX102 **Uz velas mašīnas 60X50**
 8275013
179.39

UZLIEKAMĀS KERAMISKĀS IZLIETNES (SPĀNIJA)

VEIKALS EUR

VEIKALS EUR

4037N *TOULOUSE*

8575087
200.42

4052N *NEW VENECIA*

8575112
193.00

4109 *LIEJA*

8575086
216.52

0005 *ATLANTA*

8575016
126.38

4113 *DINAN*

8575094
189.12

4058 *GENOVA-A*

8575075
129.98

4057 *FLORENCIA B*

8575110
209.28

0063B *LAREDO B*

8575054
107.72

4113/CRU *DINAN CRU*

8575111
251.62

4055 *PARIS*

8575039
129.54

4051 *KABUTO*

8575069
118.02

0009B *BIARRITZ*

8575042
136.05

UZLIEKAMĀS KERAMISKĀS IZLIETNES (SPĀNIJA)

VEIKALS EUR

VEIKALS EUR

4012/NM **NUEVO**

8575008
187.04

H1012 **HAMBURG**

8575010
197.30

4072 **OLEA**

8575017
175.06

4131 **BARI**

8575015
154.46

0017D **GOMERA**

8575068
132.42

0092BN **MAGDALENA**

8575099
204.65

0067 **DUBLIN**

8575059
120.80

4914 **DAKARA**

8575105
122.51

4087 **VOLTA 42**
420x125

8575080
185.71

4029 **CALIFORNIA 70**

8575089
153.82

4049 **BRISTOL**






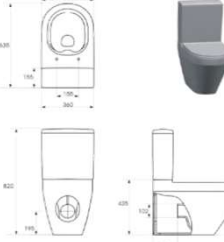


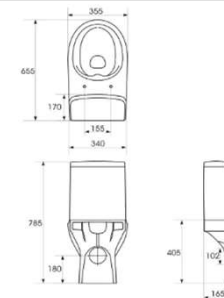


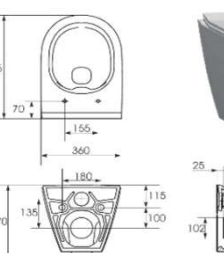

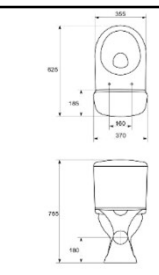
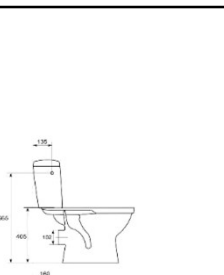

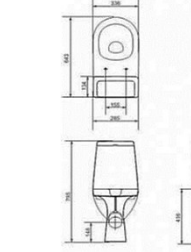
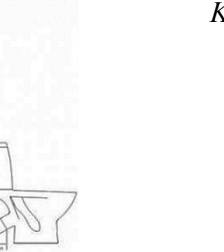

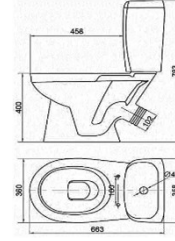

8575064
109.08


4071/05 **OLEA FLOR**

8575091
338.51

VEIKALS EUR

VEIKALS EUR

			<p>WC kompaktpods ar SC vāku, 3/5 l COLOUR NEW K103-027 231.88 0277001</p>
			<p>WC apakša ar vāku bez skalojamās kastes CREA K114-023 265.20 0277000</p> <p>WC skalojamā kaste 3/5 litri CREA K673-005 86.37 0271000</p>
			<p>WC kompaktpods ar SC vāku, 3/5 l MODUO K116-024 220.77 0277005</p>
			<p>Piekaramais WC pods ar SC vāku CITY OVAL K701-104 262.42 0277004</p>
			<p>Kompaktpods Cersanit MERIDA ar vāku un horizontālu izvadu K03-014 164.14 7877001</p>
			<p>Kompaktpods ar vāku un slīpu izvadu, MERIDA COMPACT 773 177.03 2577042</p>
			<p>Kompaktpods ar vāku un slīpu izvadu, KORAL KORAL 769 168.01 2577041</p>

		<p><i>Kompaktpods ar vāku un horizontālu izvadu, MILA 190031</i></p> <p>111.77 2577043</p>
		<p><i>Kompaktpods ar vāku un slīpu izvadu, MILA 190041</i></p> <p>119.34 2577044</p>
		<p><i>Kompaktpods ar vāku un vertiklu izvadu, MILA 190021</i></p> <p>111.77 2577047</p>
	<p>WC skalojamā kaste "RIO", bez meh., attālums starp skrūvēm 135 mm</p>	<p><i>Skalojamā tvertne, keramiskā, LIDO podiem</i></p> <p>32.88 2571005</p>
		<p><i>Piekaramais pods ARCTIC, Lavita</i></p> <p>110.40 8277071</p>
		<p><i>WC poda vāks SC MILA plastmasas 51305845</i></p> <p>11.50 2571007</p>
	<p><i>Balts, poda vāks veidots no duroplasta ar montāžas stiprinājumiem. Universāls, saderīgs ar vairumu CERSANIT un KOLO ražoto podu.</i></p>	<p>72.76 7871004</p>
	<p>SOFT K980035</p>	<p><i>Vāks "MERIDA" podam, balts</i></p> <p>23.80 7871001</p>

Skalojamās tvertnes armatūra

VEIKALS

EUR

VEIKALS

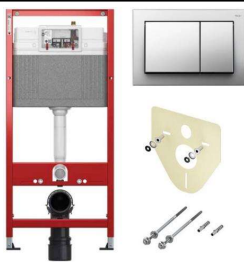
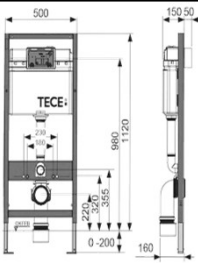

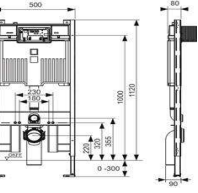



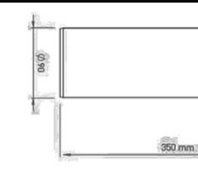

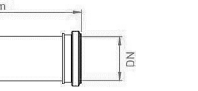



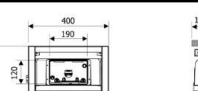
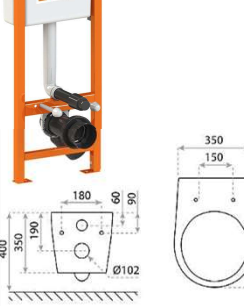
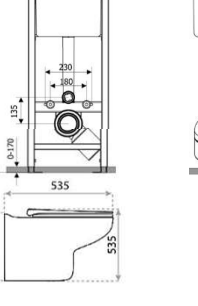
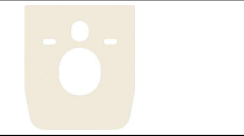


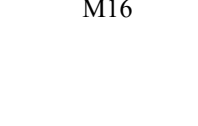



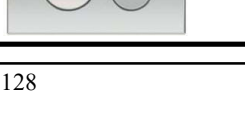
EUR

	<i>Skalojamās tvertnes armatūra universāla ar dubultpogu</i>			
	0702109	33.87	1271022	
	0709413	25.05	1271026	
	<i>Dubultpoga WC armatūrai</i>			
	0709336	11.43	1271014	
	<i>Skalojamās tvertnes armatūra pieplūde no apakšas 3/8"</i>			
	0701052	21.02	1271015	
	0701053	20.62	1271004	<i>pieplūde no apakšas 1/2"</i>
	<i>Skalojamās tvertnes armatūra pieplūde no sāna 3/8"</i>			
	0701058	21.02	1271016	<i>pieplūde no sāna 1/2"</i>
	0701059	20.62	1271005	<i>īpaši netīram ūdenim 1/2"</i>
	0701122/PL	22.91	1271023	
	<i>Skalojamās tvertnes armatūra universāla ar STOP - pogu</i>			
	0702109 PL	12.85	8871009	
	<i>Skalojamās tvertnes armatūra universāla ar dubultpogu</i>			
	0702108 PL	13.12	8871002	
	<i>WC armatūras poga ar STOP</i>			
	ZSK/305/0/L	4.07	8871023	
	<i>Dubultpoga WC armatūrai</i>			
	ZSD/012/0/L	4.65	8871024	
	<i>WC tvertnes uzpildes mehānisms pieplūde no apakšas 1/2" PL</i>			
	0701053 PL	6.42	8871005	
	0701052 PL	5.75	8871008	<i>pieplūde no apakšas 3/8"</i>

	<i>Skalojamās tvertnes armatūra pieplūde no sāna</i>			
	7001OTT 1/2"	7.98	7471001	
	<i>Pludiņš WC tvertnes uzpildes mehānismam</i>			
	1040000001	0.89	7471002	
	<i>WC tvertnes uzpildes mehānisms pieplūde no sāna</i>			
	600-95133	3.77	8871004	
	0701059PL 1/2" PL			
	600-98039	3.75	8871007	
	0701058PL 3/8" PL			
	<i>WC skalojamā tvertne, balta 600-5003195K</i>			
	95K	26.92	8871010	
	<i>WC skalojamā tvertne, balta 600-90001M99</i>			
	M99	25.40	8871011	
	<i>Skalojamās tvertnes armatūra M99</i>			
	600-56001	6.71	8871006	

Zemapmetuma rāmji

VEIKALS
EUR

		<p>Zemapmetuma rāmis podam ar baltu taustiņu</p> <p>9400400 256.87 4771009</p>
		<p>Zemapmetuma rāmis podam ar hromētu taustiņu</p> <p>9400406 242.98 4771016</p>
		<p>Zemapmetuma rāmis podam, īpaši plāns</p> <p>9300500 322.13 4771034</p>
		<p>WC īscauruļu komplekts, garums 30 cm</p> <p>9820214 45.30 4771010</p>
		<p>WC caurule DN90 350mm</p> <p>KP93500 9.51 6880015</p>
		<p>WC caurules pagarinājums DN90</p> <p>KP93510 13.25 6880013</p>
		<p>WC caurules pagarinājums DN44</p> <p>KP43000 5.75 6880014</p>
		<p>Zemapmetuma rāmis podam</p> <p>ZSP/M400/0/K 122.08 8871014</p>
		<p>Komplekts (rāmis + pods + taustiņš)</p> <p>ZSP/M400/kompl 271.55 8871019 (8871014+8277071+8871015)</p>
		<p>Piekaramais pods ARCTIC, Lavita</p> <p>110.40 8277071</p>
		<p>Izolācijas plāksne piek.podam, univers.</p> <p>350/A/108 4.86 8866000</p>
	<p>M16</p> <p>MELNA/MATĒTA SATĪNS</p>	<p>Taustiņš zemapmetuma rāmim</p> <p>350/PPC/100 32.99 8871026 350/PPS/015 30.93 8871027</p>
	<p>M05</p> <p>MATĒTS HROMS BALTA</p>	<p>Taustiņš zemapmetuma rāmim</p> <p>350/PPS/058 27.54 8871015 350/PPG/056 32.20 8871016 350/PPB/055 20.33 8871025</p>
	<p>M11</p> <p>MATĒTS HROMS BALTA</p>	<p>Taustiņš zemapmetuma rāmim</p> <p>SPP/111 29.87 8871017 SPP/112 34.65 8871018 SPP/110 22.65 8871021</p>

WC komplek.rāmis+podš+vāks+poga B634 CITY
S701-660 **387.38** **0271006**

WC komplek.rāmis+podš+vāks MODUO PLUS OVAL bez pogas
S701-814 **376.28** **0271036**

WC rāmis AQUA 50 bez pogas
K97-525 **183.28** **0271037**



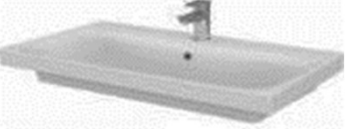



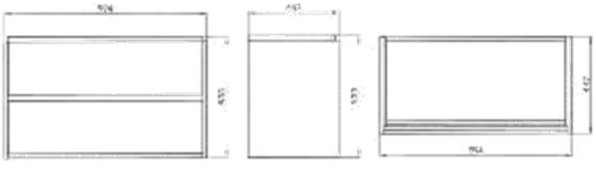



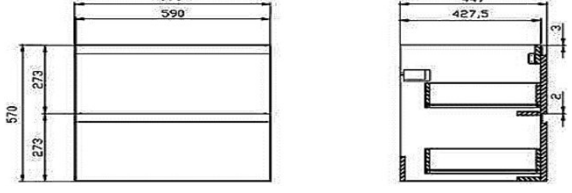



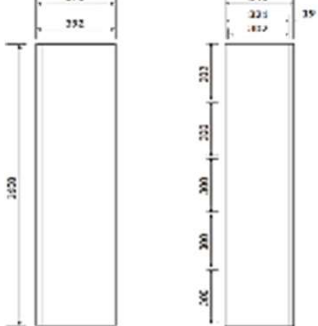
Taustiņš zemapmetuma rāmim
BALTS K97-514 **36.10** **0271040**

Taustiņš zemapmetuma rāmim
MELNS/STIKLS K97-527 **91.64** **0271038**


Taustiņš zemapmetuma rāmim
HROMS/STIKLS K97-449 **60.40** **0271039**


VEIKALS EUR


VEIKALS EUR


			<i>Keramiskā izlietne 60cm, CITY pie sienas vai uz mēbelēm</i>	
		K35-006	83.31	0275002
	40	K18-006	30.55	0275010
	50	K18-008	46.65	0275008
	60 NEW	K18-012	53.46	0275009
	80	K116-013	113.16	0275001
	40	K32-001-BOX	56.09	0275003
	50	K32-002-BOX	78.31	0275004
	60	K32-003-BOX	105.11	0275005
	80	K32-004-BOX	134.68	0275006
	100	K32-016-BOX	191.61	0275000
			<i>Skapītis, bez izlietnes, bez jaucējkrāna</i>	
		S924-021	402.66	0276001
			<i>Skapītis, bez izlietnes, bez jaucējkrāna</i>	
		S522-024	308.24	0276002
			<i>Skapītis, bez izlietnes, bez jaucējkrāna</i>	
		S929-010	216.00	0276003
			<i>Spoguļskapis</i>	
		S929-018	140.93	0276004
			<i>Spoguļskapis</i>	
		S929-020	249.00	0276005


VEIKALS EUR


		<i>Skapis ar izlietni</i>	
	VENUS 45		
		430x810x250	106.41
	VENUS 50		2576024
		450x810x290	131.53
	VENUS 55		
		520x810x300	144.84


		<i>Skapis ar izlietni</i>	
	ARMANDO 50/1		
		460x810x300	165.53
	ARMANDO 50/2		2576020
		460x800x300	162.59


		<i>Skapis ar izlietni</i>	
	MEA 60/1		
		600x800x400	322.21


		<i>Skapis ar izlietni</i>	
	ARMANDO 50/3		
		460x810x300	180.31
	ARMANDO 50/4		2576015
		460x800x300	177.36


		<i>Skapis ar izlietni</i>	
	MEA 75		2576021
		700x800x330	251.26

		<i>Skapis ar spoguļi</i>	
	ARMANDO E50		2576011
		500x600x220	84.24
	ARMANDO E60		2576022
		600x600x220	91.64


		<i>Skapis ar izlietni</i>	
	MEA 45		2576019
		430x800x250	128.59
	MEA 50		152.22
		460x800x300	152.22
	MEA 55		2576023
		530x800x310	168.50
	MEA 65		2576018
		620x800x300	206.92


		<i>Skapis ar spoguļi (stūra)</i>	
	ARMANDO E40		2576012
		400x730x230	79.82

		<i>Skapis ar izlietni</i>	
	CAPRI 55 BLACK		
		480x800x340	322.21

		<i>Skapis ar izlietni (stūra)</i>	
	ARMANDO 50/5		2576017
		550(360)x810x380	203.96

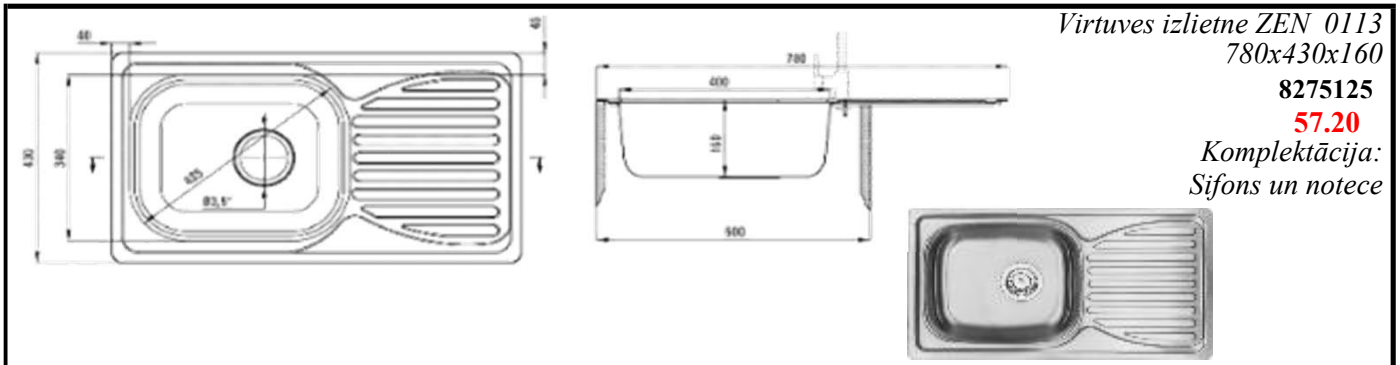
		<i>Skapis ar izlietni</i>	
	CAPRI 55		
		480x800x340	322.21

		<i>Skapis ar izlietni</i>	
	SAT 40		
		380x800x200	140.40

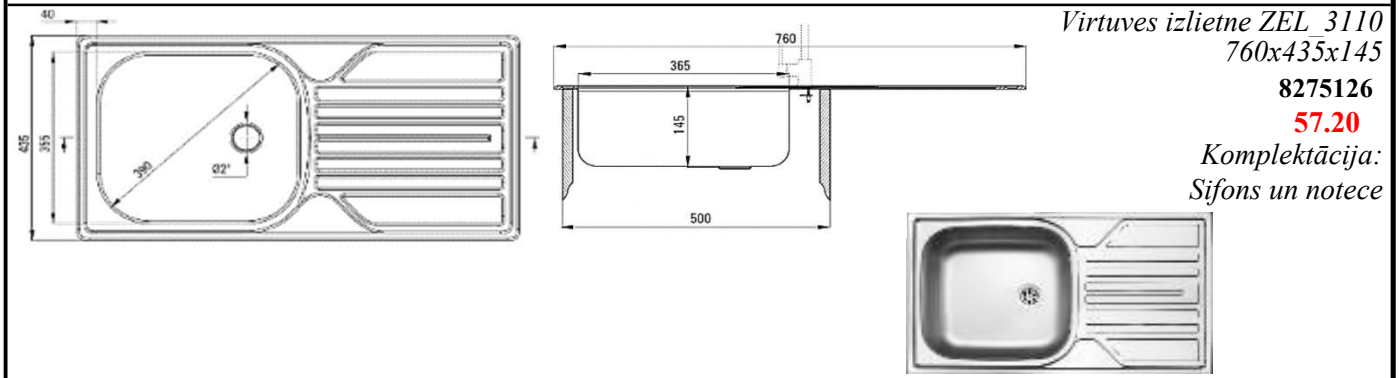
		<i>Skapis ar spoguļi</i>	
	SALSA 50		2576025
		500x600x150	110.84

VEIKALS EUR

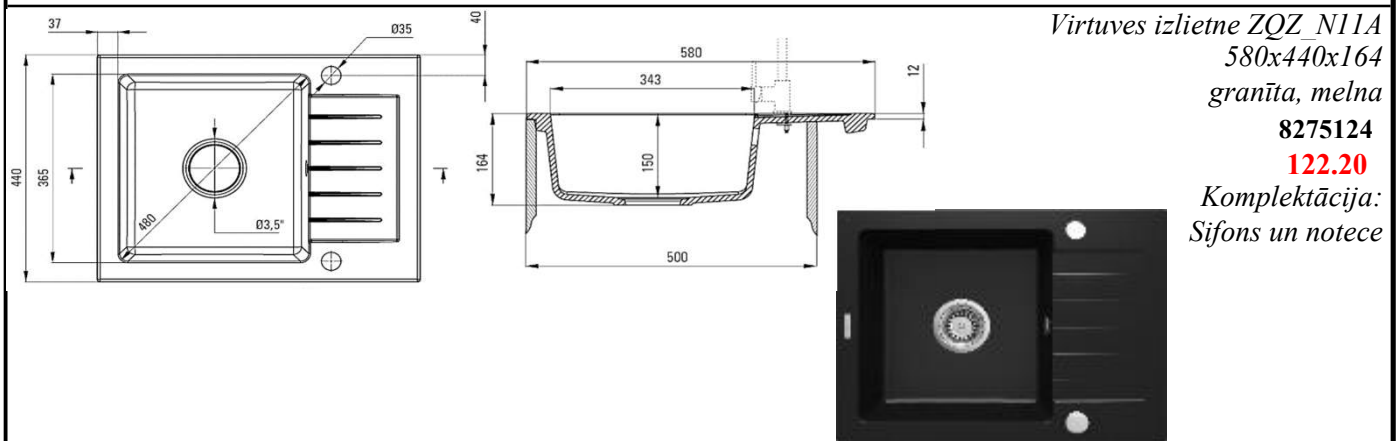
VEIKALS EUR



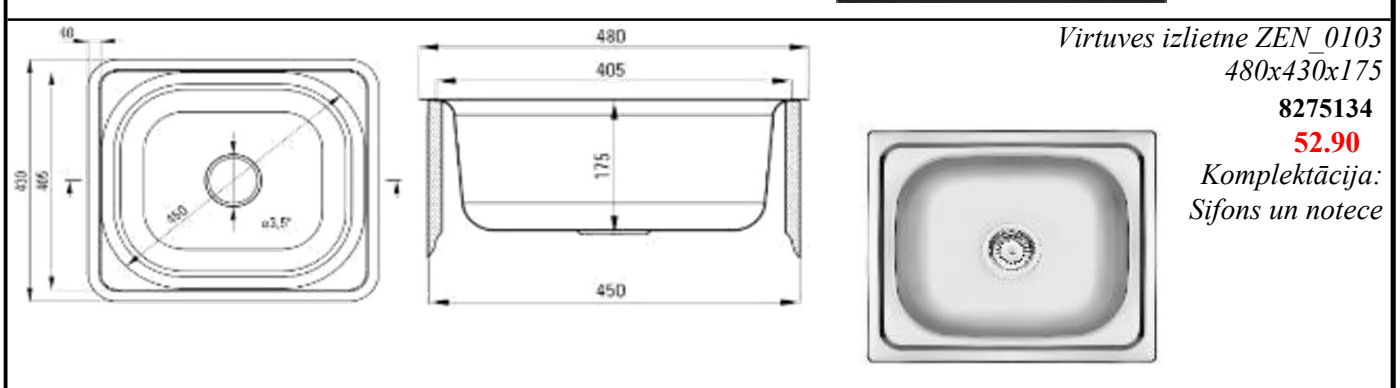
Virtuves izlietne ZEN_0113
780x430x160
8275125
57.20
Komplektācija:
Sifons un notece



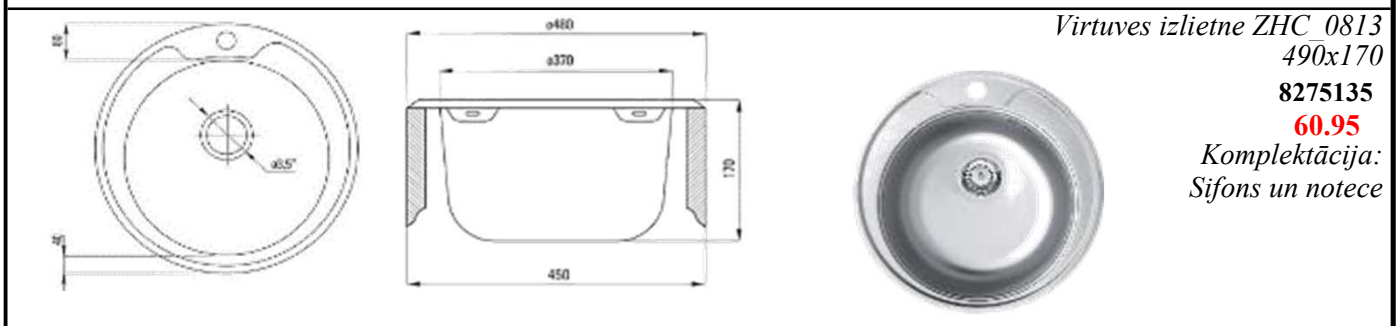
Virtuves izlietne ZEL_3110
760x435x145
8275126
57.20
Komplektācija:
Sifons un notece



Virtuves izlietne ZQZ_N11A
580x440x164
granīta, melna
8275124
122.20
Komplektācija:
Sifons un notece



Virtuves izlietne ZEN_0103
480x430x175
8275134
52.90
Komplektācija:
Sifons un notece



Virtuves izlietne ZHC_0813
490x170
8275135
60.95
Komplektācija:
Sifons un notece

			<p>Virtuves izlietne ZPO 010B 550x505x200 8275136 193.45 Komplektācija: Sifons un notece</p>
			<p>Virtuves izlietne ZMU 0113 580x510x150 8275137 56.90 Komplektācija: Sifons un notece</p>
			<p>Virtuves izlietne ZEO 011A 580x500x170 8275142 82.00 Komplektācija: Sifons un notece un stiprinājumi</p>
			<p>Izlietne saimnieciskā, metāla ZYK_010B 495x550x200 8275138 138.00 Komplektācija: Sifons un notece Stiprinājumi</p>
			<p>Izlietne saimnieciskā, polistirols ZYT 311A 501x341x252 8275143 57.00 Komplektācija: Sifons un notece Stiprinājumi</p>
			<p>Izlietne saimnieciskā, polistirols ZYT 310B 610x445x302 8275148 96 Komplektācija: Sifons un notece Stiprinājumi</p>

VEIKALS










	Rādiuss R550 Rūdīts Easy Clean 4mm stikls.	<i>Dušas kabīne pusapaļa, komplektā ar akmens masas paliktņi</i>			
		80x80x185	FSK21038-80R	435.00	7174017
		90x90x185	FSK21038-90R	530.40	7174016
		<i>Dušas kabīne pusapaļa, komplektā ar akrila paliktņi</i>			
		90x90x185	FSK21038-90akr	292.40	7174019
		<i>Ieteicamais sifons 0205374 vai 0205458</i>			
	Rādiuss R550 Rūdīts Easy Clean 4mm stikls.	<i>Dušas kabīne, pusapaļa bez paliktņa, sifona</i>			
		80x80x185	FSE21038-80R	215.00	7174001
		90x90x185	FSE21038-90R	215.00	7174000
	Rūdīts Easy Clean 4mm stikls.	<i>Dušas kabīne kvadrāts ar akmens masas dušas paliktņi</i>			
		90x90x185	FSK21038-90S	535.95	7174015
		<i>Ieteicamais sifons 0205240</i>			
	Rūdīts Easy Clean 4mm stikls.	<i>Dušas kabīne, kvadrāts bez paliktņa, sifona</i>			
		90x90x185	FSE21038-90S	230.00	7174002
<i>Dušas durvis FLORY dušas kabīnei, komplekts</i>					
		90x90x185	kantaina DOOR90S	81.23	7174007
		80x80x185	pusaplis DOOR80R	78.84	7174011
		90x90x185	pusaplis DOOR90R	86.50	7174009
<i>Dušas sienas FLORY dušas kabīni, komplekts</i>					
		90x90x185	kantaina SIDE90S	71.46	7174008
		80x80x185	pusaplis SIDE80R	53.44	7174012
		90x90x185	pusaplis SIDE90R	62.91	7174010





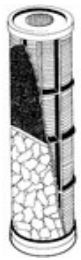


VEIKALS

		<p><i>Dušas paliktnis, pusapaļš akrila</i></p>	<p>90x90R 122.10 8274053</p>
<p><i>Ieteicamais sifons 0205374 vai 0205458</i></p>			
		<p><i>Dušas paliktnis, kvadrāts akrila</i></p>	<p>90x90R 122.10 8274058</p>
<p><i>Ieteicamais sifons 0205374 vai 0205458</i></p>			
		<p>P 706 / P 708 <i>Dušas paliktnis, pusapaļš ar kājām un paneli akmens masas</i></p>	<p>90x90R 339.27 7174014 80x80R 234.65 7174018</p>
<p><i>Augstums 15 cm Biezums 3 cm Diametrs 90</i></p>			
<p><i>Ieteicamais sifons 0205240</i></p>			
		<p>P 707 <i>Dušas paliktnis, kvadrāts ar kājām un paneli akmens masas</i></p>	<p>90x90 301.58 7174013</p>
<p><i>Augstums 15 cm Biezums 3 cm Diametrs 90</i></p>			
<p><i>Ieteicamais sifons 0205240</i></p>			
	<p>512369 <i>Apakšējā durvju gumija 5-8 mm biežam stiklam</i> 1 m 10.27 6774001</p>	<p><i>Riteņu komplekts duškabīnēm 4 gab</i></p>	
			<p>FSE21038 14.86 7174006</p>
	<p><i>Gumija dušas kabīnes stiklam, vertikāli 5-8 mm biežam stiklam</i> 512368 2 m 17.36 6774000</p>	<p><i>Blīvgumija alumīnija profilam (2 gab.)</i></p>	
		<p>FSE21038 5.80 7174003</p>	
		<p><i>Gumijas profils stiklam (2 gab.)</i></p>	
		<p>FSE21038 5.80 7174004</p>	
		<p><i>Blīvgumija ar magnētu (2 gab.)</i></p>	
		<p>FSE21038 25.00 7174005</p>	

Uz pasūtījumu

VEIKALS
EURVEIKALS
EUR






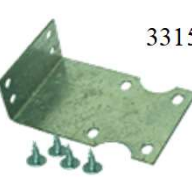


		<i>Aqua KID</i>	
	331000 Aqua KID 5"-1/2"	16.11	2326047
<i>FP3 5"</i>			
	331010 FP3 5"-1/2"	16.88	2326038
	331012 FP3 5"-3/4"	16.90	2326053
	331014 FP3 5"-1"	17.23	2326051
<i>FP3 7"</i>			
	331016 FP3 7"-1/2"	18.11	2326042
	331017 FP3 7"-3/4"	18.18	2326064
	331018 FP3 7"-1"	18.51	
<i>FP3 10"</i>			
	331020 FP3 10"-1/2"	17.54	2326001
	331022 FP3 10"-3/4"	17.54	2326034
	331024 FP3 10"-1"	17.54	2326045
<i>FP3 20"</i>			
	331030 FP3 20"-3/4"	57.01	
	331032 FP3 20"-1"	56.76	2326073
<i>FO3 10"</i>			
	331050 FO3 10"-3/4"	131.14	2326052
	331052 FO3 10"-1"	136.85	
<i>Vital (velas mašīnas filtrs)</i>			
	331320 Vital	10.14	2326023
<i>Mignon 5" 3P 90-tips</i>			
	332002 1/2"	13.82	2326032
<i>Mignon 5" 3P 180-tips</i>			
	332000 1/2"	13.50	2326002
















		<i>Aqua KID 5" RLA (neilons)</i>	
	331202 Aqua KID 5" RLA	6.08	2326009
<i>RLA (neilons)</i>			
	331203 7" RLA	7.60	2326080
	331204 10" RLA	7.78	2326008
	331206 20" RLA	20.83	
<i>AC (nerūs.tēr. siets)</i>			
	331210 5"AC	28.06	2326030
	331212 10"AC	39.84	2326031
<i>RLA-CA(neil.+ogle)</i>			
	331240 5" RLA-CA	10.81	2326025
	331242 10" RLA-CA	13.65	2326024
<i>RLA-CP(neil.+polifosfāts)</i>			
	331250 5" RLA-CP	8.23	2326026
	331252 10" RLA-CP	20.14	2326027
<i>CA ogle</i>			
	331280 5"	6.68	2326011
	331282 10"	9.04	2326010
	331284 20"	22.97	2326074
<i>CA +I (jonīts + ogle)</i>			
	331286 10" CA+I	9.69	2326067

Uz pasūtījumu

**VEIKALS
EUR**

**VEIKALS
EUR**















		CP polifosfāts	
		331290	5" 9.69 2326041
		331292	10" 16.29 2326003
		331294	20" 37.49
		FA-CA (polipr. + ogle)	
		331310	5"FA-CA 8.65 2326028
		331312	10"FA-CA 12.30 2326029
		Aqua KID FA 5" 10mikroni	
		331328	Aqua KID FA 5" 3.12 2326049
		FA 5mikroni	
		331330	FA 5" 2.72 2326007
		331331	FA 7" 2.85 2326059
		331332	FA 10" 3.03 2326006
		331334	FA 20" 6.35 2326063
		FA Mignon 10 mikroni	
		332200	FA 5" 2.64 2326033
		332203	FA10" - R 2.71 2326014
		Metāla stiprinājums Aqua	
		331500	6.32 2326012
		Plastmasas stiprinājums Aqua FP3	
		331502	3.76 2326043
		Plastmasas dubultstiprinājums Aqua	
		331504	6.97 2326056

		Misiņa atslēga FO3	
		331508	8.47 2326054
		Atslēga Aqua korpusiem	
		331510	2.64 2326036
		331516	Atslēga Aqua KID korpusiem 2.39 2326050
		332304	Atslēga L-tipa mignon korpusiem 2.94 2326048
		Polifosfāta kristāli	
		331522	Paciņa 800 gr 13.08 2326040
		331534	25 kg 345.96
		Aktīvā ogle	
		331524	Paciņa 280 gr 4.31 2326044
		Aktīvā ogle+sudrabs	
		331526	Paciņa 250 gr 6.16 2326078
		Aktīvā ogle+jonizators	
		331538	25 kg 186.00
		Katjona jonīts (10" elementu uzpildei)	
		331528	Paciņa 400 gr 4.79 2326013
		331530	Paciņa 250 gr 4.72 2326072
		Blīve kārtidžām	
		331532	25 litri 118.48
		O-ring filtru korpusiem	
		331540	0.89
		FP3 2.18 2326066	
		331541	Aqua Kid 1.93 2326070
		B5 filtra kartridžs 300 l	
		B006	8.67 2826013
		Krūzēm: Smile, Prestige un Provance	
		A5 filtra kartridžs A5 350 l	
		9.71 2826010	
		Krūzēm: Smile, Prestige un Provance	
		A010 Aquaphor TOPAZ maiņas filtra kartridžs	
		1	3.29 2826021

VEIKALS EUR

VEIKALS EUR

<i>Komplekts 1/2" ar smidzināšanas uzgali</i>			
	CL8802	13.36	2363067
<i>Komplekts 3/4" ar smidzināšanas uzgali</i>			
	CL8827	18.49	2363101
			
<i>Smidzināšanas uzgalis Plus</i>			
	CL8536	5.44	2363070
<i>Smidzināšanas uzgalis Plus</i>			
	CL8537	6.02	2363081
			
<i>Smidzināšanas uzgalis JET</i>			
	CL8616	3.84	2363021
<i>Smidzināšanas uzgalis JET (blister)</i>			
	CL8617	5.24	2363022
			
<i>Smidzināšanas pistole</i>			
	CL8756	8.30	2363054
			
<i>Daudzfunkciju laistīšanas pistole Garden</i>			
	CL9373	12.94	2363014
			
<i>Smidzināšanas pistole Ergo</i>			
	CL8538	8.50	2363062
<i>Smidzināšanas pistole Ergo</i>			
	CL8539 (BL)	9.76	2363074
			
<i>Smidzināšanas pistole ar kompl. ERGO</i>			
	CL8551	18.50	2363103
			
<i>Smidzināšanas pistole Ergo</i>			
	CL8541 (BL)	13.54	2363091
			
<i>Laistīšanas pistole Ergo - Garden</i>			
	CL9391 (BL)	15.82	2363072
			
<i>Smidzināšanas pistole</i>			
	CL8966	6.05	2363035
			
<i>Mazgāšanas pistole</i>			
	CL8757 (bl)	11.59	2363051
			
<i>Pistole laistīšanas Precision</i>			
	CL9561 (BL)	20.29	2363080
			

<i>Savienotājs ar iekšējo vītņi</i>			
	CL8622	1/2"	1.71 2363008
	CL8623 (bl)	1/2"	2.31 2363023
	CL8626	3/4"	1.61 2363009
	CL8627 (bl)	3/4"	2.26 2363094
	CL8628	1"	1.78 2363010
	CL8629 (bl)	1"	2.37 2363078
<i>Savienotājs ar ārējo vītņi</i>			
	CL8636	3/4"	1.60 2363007
	CL8637 (bl)	3/4"	2.03 2363075
<i>Remontuzmava</i>			
	CL8618	1/2"	2.37 2363019
	CL8620	5/8*3/4"	3.67 2363020
	CL8621	5/8*3/4"	4.40 2363084
	CL-8619	1/2"	3.16 2363059
<i>Savienotājs</i>			
	CL8606	1/2"	2.33 2363001
	CL8607 (bl)	1/2"	3.49 2363041
	CL8608	3/4"	3.51 2363002
	CL8609 (bl)	3/4"	5.20 2363042
<i>Savienotājs ar aquastop</i>			
	CL8602	1/2"	3.75 2363003
	CL8604	3/4"	4.53 2363004
	CL8603	1/2"	5.46 2363082
	CL8605	3/4"	6.59 2363083
<i>Uzgalis ar 1/2" un 3/4" adapteri</i>			
	CL8591		2.47 2363043
<i>Uzgalis ar 1/2" un 3/4" adapteri (blister)</i>			
	CL8804		2.92 2363102
<i>Savienotājs QUICK-FIT ar aeratoru</i>			
	CL8587		19.28 2363073
<i>Blīvju remontkomplekts</i>			
	CL8811		2.60 2363036
<i>Dīvgabals</i>			
	CL8612		1.95 2363005
	CL8613 (BL)		2.76 2363040
<i>Trejgabals</i>			
	CL8614		3.44 2363006
	CL8615 (BL)		4.10 2363076
<i>Savienotājs Koala</i>			
	CL8583		12.68 2363039
<i>Sadalītājs ar 2 izejām</i>			
	CL8598		10.11 2363052
<i>Ar quick-click</i>			
	CL8599		10.95 2363037
<i>Sadalītājs ar 4 izejām</i>			
	CL8581 (BL)		31.25 2363038
<i>Savienotājs krānam ar I vai A vītņi 3/4"</i>			
	CL8597		18.32 2363099

Laistīšanas sistēmas

VEIKALS EUR




VEIKALS EUR

	<i>Laistītājs Idrosprey 2000</i>	CL8675	27.43	2363058
	<i>Daudzfunkciju laistīšanas ierīce</i>	CL8654	16.92	2363024
	<i>Laistītājs Rollina</i>	CL8656	10.94	2363032
	<i>Laistītājs Turbospruzzo</i>	CL8658	9.44	2363033
	<i>Laistītājs Compact 160 Promo</i>	CL8740	16.93	2363027
	<i>Laistītājs Compact-12</i>	CL8748	23.66	2363087
	<i>Laistītājs Impact uz spraudņa</i>	CL8707	27.99	2363086
	<i>Laistītājs Turbospike</i>	CL8660	8.15	2363025
	<i>Automašīnas mazgājamā birste Wippy Car</i>	CL8774	12.63	2363034
	<i>Šampūna stienīši 10 gab</i>	CL8759	3.05	2363066
	<i>Šļūteņu turētājs ECO O</i>	CL8866	5.16	2363068
	<i>Rati Genius 60</i>	CL8862	60.37	2363069
	<i>Rati, izjaucamie, Ecosei</i>	CL8980	43.03	2363090
	<i>Ūdens tvertne roku mazgāšanai 4L</i>	30005	5.43	4475001

* krāsa var mainīties

	<i>Daudzfunkciju laistīšanas pistole QUICK EXCLUSIVE</i>	WL-EN9T	14.64	7863002
		10		
	<i>Daudzfunkciju laistīšanas pistole STANDART</i>	WL-EN1T	10.23	7863003
		10		
	<i>Smidzināšanas uzgalis</i>	WL-4710	1.37	7863001
		10		
	<i>Remontuzmava 1/2"</i>	WL-2100	0.92	7863020
		25/50		
	<i>Remontuzmava 3/4"</i>	WL-2110	1.49	7863021
		25/50		
	<i>Remontuzmava 1"</i>	WL-2112	3.99	7863022
		10		
	<i>Remontuzmava 1/2"x3/4"</i>	WL-2101	1.68	7863025
		25/50		
	<i>Remontuzmava 3/4"x1"</i>	WL-2111	3.44	7863026
		10		
	<i>Savienotājs ar aquastop 1/2"</i>	WL-2140	1.65	7863030
		25/50		
	<i>Savienotājs ar aquastop 3/4"</i>	WL-2150	1.96	7863031
		25/50		
	<i>Savienotājs ar iekšējo vītņi 1/2"</i>	WL-2196	0.57	7863015
		25/50		
	<i>Savienotājs ar iekšējo vītņi 3/4"</i>	WL-2195	0.65	7863016
		25/50		
	<i>Uzgalis 3/4" ar 1/2" adapteri</i>	WL-2198	1.08	7863010
		25/50		
	<i>Uzgalis 1" ar 3/4" adapteri</i>	WL-2199	1.19	7863011
		25/50		
	<i>Divgabals</i>	WL-2200	0.70	7863035
		25		


LAISTĪŠANAS ŠLŪTENES

	VEIKALS	EUR	
			<i>Šlūtene IDRO GREEN</i>
	1/2"-25m	10.57	2362001
	1/2"-50m	21.15	2362002
	3/4"-25m	21.14	2362003
	3/4"-50m	42.38	2362004
	1"-25m	44.90	2362042
	1"-50m	89.74	2362005
			<i>Šlūtene MINT</i>
	1/2"- 25 m	21.92	2362006
	1/2"- 50 m	43.80	2362007
	3/4"- 25 m	38.27	2362008
	3/4 "-50 m	76.52	2362009
			<i>Šlūtene NTS ORANGE</i>
	1/2"-25m	44.23	2362012
	1/2"- 50 m	87.63	2362013
	3/4"- 25 m	77.40	2362014
	3/4 "-50 m	153.25	2362015
	1"x25 m	125.67	2362045
1"x50 m	251.20	2362016	

EUR
VEIKALS

EUR
VEIKALS


<i>Roratslēga VIRAX (vanadium)</i>			
10434	30.80	1"	2035002
10449	38.75	1.1/2"	2035003
10460	56.07	2"	2035004



<i>Universālas knaibles VANADIX VIRAX</i>			
10924	13.96	240	2035005
10930	16.13	300	2035006



<i>Knaibles VIRAX</i>			
18212	29.17	180	2035007
18218	31.57	250	2035008




<i>Knaibles-uzgriežņa atslēga 10' 250mm VIRAX</i>			
011210	58.54	250	2035057




<i>LOCK knaibles VIRAX</i>			
18222	37.42	180	2035009
18228	44.36	250	2035010




<i>Kapara cauruļu griezējs VIRAX</i>			
210441	27.38	C 28	2035011



<i>Kapara cauruļu griezējs VIRAX</i>			
210443	44.03	ZR35	2035012
210445	50.55	ZR42	2035053




<i>NT cauruļu griezējs VIRAX</i>			
210475	73.63	C54	2035013



<i>CU cauruļu griezējs VIRAX</i>			
210447	58.60	C54	2035043


<i>Plastmasas cauruļu griezējs VIRAX</i>			
215032	26.10	PC32	2035014
PVC, PE, PER, PEX caurulēm			
PPR			




<i>Plastmasas cauruļu griezējs VIRAX</i>			
215042	64.15	PC42	2035015
PPR; CPVC; PEHD; ABS; PB caurulēm			




<i>Cauruļu griezējs VIRAX MINI</i>			
210439	23.47	28 mm	2035042
Vara caurulei no 3-28 mm			




<i>Plastmasas cauruļu griezējs</i>			
211464	148.57	D63 mm	2035054
PVC, PP, PE, PER, ABS un HDPE caurulēm			
PPR			



<i>Universāla cauruļu galu frēze VIRAX</i>			
221251	69.84	35 mm	2035017
221252	121.55	56 mm	2035046




<i>Kalibrators VIRAX</i>			
221276	65.74	16x2-20x2-25x2,5-26x3-32x3 mm	2035018
<i>Kalibrators VIRAX</i>			
221278	67.19	16x2,25-20x2,5-25x2,5-26x3-32x3 mm	2035019



EUR
VEIKALS

EUR
VEIKALS

	221135	43.80	35	2035045
	221132	47.33	32	2035055

Profesionāls cauruļu valcētājs
3/16 - 1/4 -

250580	131.35	2035047
--------	--------	---------




Izlietnes teleskopiska atslēga Sanicrom
1.3/8"

261450	62.97	2035049
--------	-------	---------



Izlietnes uzgriežņa atslēga VIRAX
1.1/2"

261420	20.06	2035048
--------	-------	---------



Krāna uzgriežņa atslēga ar rokturi


261470	39.15	2035050
--------	-------	---------





Cauruļveida skrūvspīles Etagriff
1.1/4" x 3"

200210	196.92	2035041
--------	--------	---------



Radiatoru atslēga 4 izmēri VIRAX
3/8"-1"

220425	71.41	2035016
--------	-------	---------




Elektriskā rokas prese VIRAX
M21

253502	1406.73	2035059
--------	---------	---------




Elektriskā rokas prese VIRAX
ML21

253521	1408.68	2035060
--------	---------	---------



Tualetes poda atslēga universāla VIRAX

220510	32.26	2035044
--------	-------	---------



Asmeņi plastmasas cauruļu griezējam VIRAX
PC 40/42

214041	29.85	2035068
--------	-------	---------




Ieliktnis rokas preseī, karbonam

990156	284.64	15-18-22	2035081
252955	99.97	28	2035082



Ieliktnis rokas preseī

252904	68.25	TH 16	2035061
252907	68.25	TH 20	2035062
252909	68.55	TH 25	2035063
252915	67.92	U 16	2035064
252917	67.92	U 20	2035065
252918	67.56	U 25	2035066



921 PPR 733 Šķēres PPR caurulēm 0-42mm, nerūsējošā tērauda asmenis, ar gumiju

14.73 3435001



921 PPR 734 Šķēres PPR caurulēm 0-42mm, nerūsējošā tērauda asmenis

14.46 3435002



913- APAĻŠ

Lodāmurs 1200W (komplektā ar uzgaļiem 16-32mm) Darba t° + 265; jauda- 1200W; 220V. Metāla kaste 47x43x32cm

78.45 7635014



913- PLAKANS

Lodāmurs 1000W (komplektā ar uzgaļiem 20-63mm) GF-825X. Darba t° + 265; jauda- 1000W; 220V. Metāla kaste 47x43x32cm

69.91 7635001



913- APAĻŠ

Lodāmurs 800W (komplektā ar uzgaļiem 16-32mm), GF-834. Darba t° + 265; jauda- 800W; 220V. Metāla kaste 47x43x32cm

73.61 7635020



913- PLAKANS NEW

Lodāmurs 800W (komplektā ar uzgaļiem 20-63mm) Darba t° +50 LĪDZ + 300; jauda- 800W; 220V. Metāla kaste

55.08 7635018



Cauruļu kalibrētājs 16-20

11.45 6435005

Apalā lodāmura uzgaļi 20; 25; 32

8.24 9735006
9.00 9735007
9.81 9735008



922

MINI griezējs caurulēm, 3-22mm



5.95 3435003

UZ SATURU

923

Cauruļu



9.06 3435004

924

Cauruļu grizējs, 6-50mm



17.44 3435005

1450023

Katlu birste (plakana)



6.60 8235001

331184

PE cauruļu gala frēze



20-63 mm

19.06 2535030

INSTRUMENTI

EUR
VEIKALS

AG384

Deglis ar šļauku Providus
paredzēts 190 gr baloniem

41.48

2035030



EUR
VEIKALS

Gāzes deglis ar Piezo aizdedzi , gāzes balonu
PV900 komplekts Nr.1

30.13

vītne 7/16
400 ml
2035034



PG900

Deglis ar pjezo aizdedzi
un gāzes padeves regulātoru
paredzēts 190 gr baloniem

33.52

2035031



GA 200

Deglis
vītne 7/16

89.92

2035035



AV084 komplekts Nr.1

Deglis ar šļūteni
vītne 7/16
ar gāzes balonu
600 ml

41.92

2035032



AD450

Adapteris degļiem Providus

26.68

2035036



Misiņa deglis ar gāzes balonu
PV500 komplekts Nr.1

22.90

vītne 7/16
600 ml
2035033



115050

Portatīvais metināšanas komplekts
Oxyturbo TURBO SET 90

250.80

2035037



EUR
VEIKALSEUR
VEIKALS

 <p>2.13</p> <p>Gāzes balons 190g ar STOP funkciju EN417-2012</p>	<p>Gāzes balons 230 gr 2035025</p> <p>7.16</p> <p>Gāzes balons 230gr. Ar 7/16 vītņi-tūristiem un pavāriem</p> 
 <p>5.65</p> <p>Prop/but mix gāzes balons 600ml EN417</p>	<p>Gāzes balons 500 gr 2035026</p> <p>9.53</p> <p>Gāzes balons 500 gr. ar STOP funkciju EN417-2012</p> 
 <p>8.13</p> <p>Gāzes balons 450 gr. EN417-2012</p>	<p>Gāzes balons 610 ml 2035027</p> <p>29.51</p> <p>Gāzes maisījums kas nodrošina 3050 grādu temperatūru</p> 
 <p>4.71</p> <p>Šķiltavu gāze ar 5 adapteriem-400ml/220 gr.</p>	<p>Gāzes balons 400 gr 2035028</p> <p>32.38</p> <p>Gāzes balons ar US vītņi, paredzēts amerikāņu degļiem</p> 
 <p>4.18</p> <p>Gāzes balons pavāriem un portatīvajiem degļiem,plītīm</p>	<p>Gāzes balons 400 ml 2035029</p> <p>16.47</p> <p>Želejveida gāze - darbam jebkurā leņķī,ar temperatūru līdz 2100 grādiem.</p> 

EUR
VEIKALSEUR
VEIKALS

WS-36-400 *Rūsas pārveidotājs*


7.46 **2072005**



Izcili piemērots sarūsējušu savienojumu, vītņu darba atjaunošanai, samazina berzi, izspiež mitrumu, atvieglo savienojumu montāžu un demontāžu

WS-81-400 *Zinc-Alu-Mix Spray*

13.83 **2072001**



Paredzēts šuvju maskēšanai un metināšanas darbiem. Noturīgs pret jebkuriem laika apstākļiem, aizsargā pret rūsu, oksidēšanos.

WS-38-400 *Rūsas pārveidotājs SPECIAL*

8.96 **2072000**



Īpašs sastāvs no molibdēna un sintētiskām piedevām - īpaši paredzēts saaugušiem rūsas savienojumiem, kurus nevar atskrūvēt. Ātras iedarbības līdzeklis.

WS-85-400 *Zinc Primer Spray-Cinkam*

15.43 **2072012**



Labs pretrūsas līdzeklis, satur - 99% cinka, labi vada elektrību, var maskēt metināšanas šuves. Ātri žūst

WS-40-400 *Daudzfunkciju areosols*

10.65 **2072007**



Daudzfunkcionāls līdzeklis savienojumu eļļošanai un aizsardzībai pret rūsu, rūsas noņemšanai, detaļu tīrīšanai. Universāls specializēts līdzeklis ar pretrūsas aizsardzību. COBRA uzgalis

WS-167-400 *Chain Guard*


14.10 **2072010**



Ļoti efektīvs pievadķēžu un metāla tauvu aizsarglīdzeklis, smērviela - savienojams ar lielāko daļu eļļu un noturīgs pret mitru, agresīvu vidi. Momentāla iedarbība, pie augstām temperatūrām nenotek. Ļoti ekonomisks - ilgi servisa starposmi.

WS-66-400 *Rūsas pārveidotājs Gruntskrāsa*

15.40 **2072009**



3 in 1. Rūsas pārveidotājs, gruntskrāsa un pildviela. Noturīgs pret āra apstākļiem, jūras ūdeni, karstumu, piemērots, alumīnijam, metālam, cinkotām virsmām, betonam, šiferim.


WS-440-400 *Anti-Corrosion Wax Spray*

15.57 **2072008**




Pretrūsas ilgstošas aizsardzības vasks. Aizsargā no rūsas rašanās - noturīgs pret ūdeni, ceļu kaisāmo sāli, neīrūmēm, utt. Ideāls līdzeklis instrumentu un augstas precizitātes detaļu konservācijai un aizsardzībai.

VEIKALS EUR

	<i>Cirkulācijas sūkņi</i>	
	Mehāniskais, trīs ātrumi	
	"OHI"	
OHI 15-60 / 130 bronzas korpuss	80.68	7928033
OHI 15-60 / 130	55.44	7928030
OHI 25-40 / 180	46.10	7928020
OHI 25-60 / 130	56.28	7928031
OHI 25-60 / 130 bronzas korpuss	82.80	7928034
OHI 25-60 / 180	51.41	7928021
OHI 25-80 / 180	98.76	7928029
OHI 32-60 / 180	61.21	7928027
OHI 32-80 / 180	111.75	7928028
OHI 40- 80 / 200	151.00	7928051
OHI 50-140/220	278.15	
OHI 50-170/250	371.78	
Uz pasūtījumu		
Uz pasūtījumu		
Uz pasūtījumu		

VEIKALS EUR

	<i>Cirkulācijas sūkņi</i>	
	Elektroniskais, "A" klase	
	"MAGI 2"	
25-40/180 + fittings	147.53	7928047
25-60/180 + fittings	158.73	7928043

Karstā ūdens cirkulācijas sūkņi

		
	"CPI"	
CPI 15-15	82.58	7928022

Karstā ūdens cirkulācijas sūkņi

	<i>Cirkulācijas sūkņi</i>	
	Elektroniskais, "A" klase	
	"BETA 2"	
E-IBO 15-14	133.92	7928044

Savienojuma komplekts sūkņiem

		
	"OHI PRO"	
1"	4.11	2124172
1.1/4"	5.25	2124173

Savienojuma komplekts sūkņiem

	112300	
	"NEMO VM60"	
1"	4.25	0925308

	<i>Cirkulācijas sūkņi</i>	
	Elektroniskais, "A" klase	
	"BETA 2"	
25-40/180 + fittings	107.30	7928026
25-60/180 + fittings	119.48	7928023
25-60/130 + fittings	105.05	7928045






	<i>Cirkulācijas sūkņi</i>	
	Elektroniskais, "A" klase	
	"OHI PRO"	
OHI PRO 25-40/180	67.33	7928024
OHI PRO 25-60/180	68.79	7928025

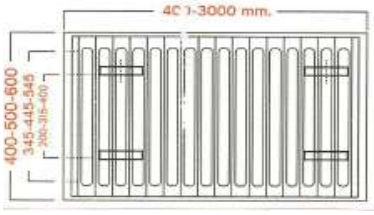
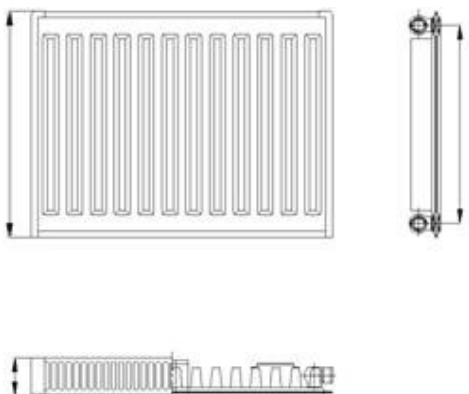
	<i>Vibrosūkņi</i>	
	"NEMO VM60"	
VM60 - 3	46.62	7928050

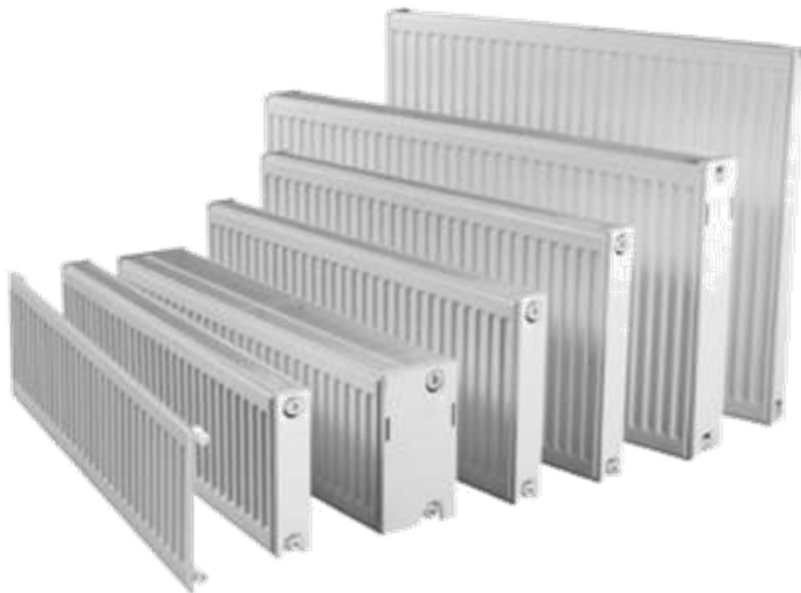
VEIKALS EUR

VEIKALS EUR

	<p>Iegremdējamais sūknis QDV 8000</p> <p>59.25 2328016</p> <p>Sūkņa dati: Maksimālais spiediens 5,0 m Sūkņa augstums 30 cm Sūkņa diametrs 17 cm Sūkņa svars 3,9 kg Maksimālais ražīgums (130 l/min) 7,8 m³/h</p> <p>Elektriskie dati: Elektrodzinēja absorbētā jauda P1=0,32 kW Elektrodzinēja nominālā jauda P2=0,21 kW Vienfāzu maiņstrāvas spriegums 230 V Pieļaujamās tīkla sprieguma atkāpes no nomināla ±5 % Tīkla frekvence 50 Hz Strāvas stiprums 1,5 A Elektriskā kabeļa garums 10 metri</p>
	<p>Iegremdējamais sūknis QDV 14000</p> <p>76.40 2328017</p> <p>Sūkņa dati: Maksimālais spiediens 7,0 m Sūkņa augstums 33 cm Sūkņa diametrs 17 cm Sūkņa svars 4,5 kg Maksimālais ražīgums (230 l/min) 14 m³/h</p> <p>Elektriskie dati: Elektrodzinēja absorbētā jauda P1= 0,6 kW Elektrodzinēja nominālā jauda P2=0,37 kW Vienfāzu maiņstrāvas spriegums 230 V Pieļaujamās tīkla sprieguma atkāpes no nomināla ±5 % Tīkla frekvence 50 Hz Strāvas stiprums 2,7 A Elektriskā kabeļa garums 10 metri</p>
	<p>Iegremdējamais sūknis QDVX 16000</p> <p>118.52 2328018</p> <p>Sūkņa dati: Maksimālais spiediens 7,0 m Maksimālais ražīgums (267 l/min) 16 m³/h Sūkņa augstums 36 cm Sūkņa diametrs 17 cm Sūkņa svars 6,0 kg</p> <p>Elektriskie dati: Elektrodzinēja absorbētā jauda P1= 0,6 kW Elektrodzinēja nominālā jauda P2=0,37 kW Vienfāzu maiņstrāvas spriegums 230 V Pieļaujamās tīkla sprieguma atkāpes no nomināla ±5 % Tīkla frekvence 50 Hz Strāvas stiprums 2,7 A Elektriskā kabeļa garums 10 metri</p>

	<p>Ūdens apgādes automāts WP INOX - 1000 24H</p> <p>202.00 2328019</p> <p>Pielietojuma ierobežojumi: Maksimālā sūkņejamā ūdens temperatūra +35°C, Aizliegts sūknēt jūras ūdeni, kā arī ķīmiski agresīvus un sprādzienbīstamus šķidrumus. Sūkņi nedrīkst darbināt tukšgaitā bez ūdens. Sūkņis jāsgargā no sala.</p> <p>Elektriskie dati: Elektrodzinēja absorbētā jauda 0,80 kW Elektrodzinēja nominālā jauda 0,55 kW Vienfāzu maiņstrāvas spriegums 230V/50 Hz Aizsardzības klase IP44</p> <p>Sūkņa dati: Maksimālā ražība 55 l/min. Maksimālais spiediens 46 m Maksimālais uzsūkšanas augstums 8 m Sūkņa pievienošanas vītņu izmēri 1" Svars 12,2 kg</p>												
	<p>Membrāna izplešanās traukam</p> <table border="1"> <tbody> <tr> <td>5/12 L (45)</td> <td>5.45</td> <td>7928016</td> </tr> <tr> <td>24 L (80)</td> <td>15.27</td> <td>7928007</td> </tr> <tr> <td>35/50 L (80)</td> <td>31.24</td> <td>7928012</td> </tr> <tr> <td>60/80L (80)</td> <td>47.21</td> <td>7928015</td> </tr> </tbody> </table>	5/12 L (45)	5.45	7928016	24 L (80)	15.27	7928007	35/50 L (80)	31.24	7928012	60/80L (80)	47.21	7928015
5/12 L (45)	5.45	7928016											
24 L (80)	15.27	7928007											
35/50 L (80)	31.24	7928012											
60/80L (80)	47.21	7928015											
	<p>Misiņa trejgabals 1"(F-F-M) sūkņiem</p> <p>6510G</p> <table border="1"> <tbody> <tr> <td>1/2"</td> <td>3.00</td> <td>0925278</td> </tr> <tr> <td>3/4"</td> <td>4.58</td> <td>0925279</td> </tr> <tr> <td>1"</td> <td>9.72</td> <td>0925319</td> </tr> </tbody> </table>	1/2"	3.00	0925278	3/4"	4.58	0925279	1"	9.72	0925319			
1/2"	3.00	0925278											
3/4"	4.58	0925279											
1"	9.72	0925319											
	<p>Spiediena releji</p> <p>FSG;QUARE-D 5,4-7,0bar ar bezūdens aizsardzību</p> <p>39.57 7928008</p>												
	<p>PM/5 ITALTECNICA 1,4-2,8bar</p> <p>15.98 7928009</p>												








<i>Itek/m = 24,00 Kg, paneļa biezums 1,25-1,20mm, komplektā ietilpst korkis, atgaisotājs un stiprinājumi</i>					
TYPE 22 PKKP	Augstums mm	Garums mm	Jauda W	Cena	Kods
	400	500		66.53	4670002
	400	600		74.41	4670003
	400	800		94.69	4670005
	400	1000		112.75	4670007
	400	1200		132.66	4670009
	400	1400		152.27	4670010
	<i>Itek/m = 24,00 Kg, paneļa biezums 1,25-1,20mm, komplektā ietilpst korkis, atgaisotājs un stiprinājumi</i>				
TYPE 22 PKKP	Augstums mm	Garums mm	Jauda W	Cena	Kods
	500	500		65.01	4670015
	500	600		72.76	4670016
	500	700		82.61	4670017
	500	800		97.55	4670018
	500	900		108.63	4670019
	500	1000		116.13	4670020
	500	1200		136.54	4670022
	500	1400		148.84	4670023
	500	1600		170.23	4670024
	500	1800		189.39	4670025
	500	2000		210.77	4670026


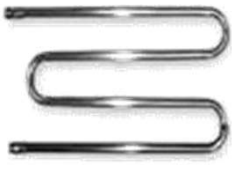

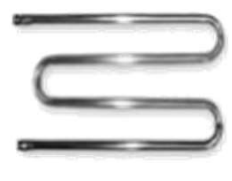
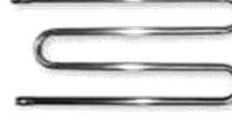


EN 442




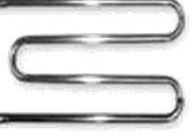



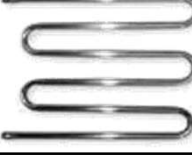


Čūsķveida dvieļu žāvētaji













	VEIKALS	EUR
<i>"U veida" 1" (starpcentru attāl. 250 mm ± 15 mm)</i>		
	10013	400 63.72
	10020	450 66.76
	10037	500 69.90
	10044	550 72.98
	10051	600 76.15
	10068	650 79.20
	10075	700 82.31
	10082	750 85.38
	10099	800 88.51
	10105	850 91.56
	10112	900 94.08
<i>"U veida" 1 1/4" (starpcentru attāl. 250 mm ± 15 mm)</i>		
	10228	400 83.60
	10235	450 87.51
	10242	500 91.71
	10259	550 95.80
	10266	600 100.00
	10273	650 104.20
	10280	700 108.40
	10297	750 112.06
	10303	800 116.16
	10310	850 120.36
	10327	900 124.28
<i>"P veida" 3/4" (starpcentru attāl. 500mm ± 15 mm)</i>		
	11645*	500 x 500 53.71
	11652*	500 x 600 59.42
	11669*	500 x 700 65.11
	11881*	500 x 800 70.76
<i>"P veida" 1" (starpcentru attāl. 500mm ± 15 mm)</i>		
	11591*	500 x 500 75.48
	11614*	500 x 600 82.42
	11621*	500 x 700 90.22
	11638*	500 x 800 97.04
<i>"P veida" ar plauktiņu 1" (starpcentru attāl. 600 mm ± 15 mm)</i>		
	17746*	600 x 500 90.01
	17753*	600 x 600 99.29
	17760*	600 x 700 107.13
	18903*	600 x 800 111.60
<i>"P veida" 1 1/4" (starpcentru attāl. 500mm ± 15 mm)</i>		
	11898*	500 x 500 99.08
	11904*	500 x 600 104.98
	11911*	500 x 700 115.69
	11928*	500 x 800 127.69
<i>"Eiro" 1/2" (starpcentru attāl. 500mm ± 15 mm)</i>		
	14639	500 184.53

	VEIKALS	EUR
<i>"M veida" 3/4" (starpcentru attāl. 350 mm ± 15 mm)</i>		
	10921	400 69.97
	10938	450 74.23
	10945	500 78.46
	10952	550 82.70
	10969	600 86.96
	10976	650 91.28
	10983	700 95.47
	10990	750 98.25
	11003	800 104.01
<i>"M veida" 3/4" (starpcentru attāl. 500 mm ± 15 mm)</i>		
	11324	400 72.08
	11331	450 76.34
	11348	500 80.59
	11355	550 84.87
	11362	600 89.13
	11379	650 93.39
	11386	700 97.62
	11393	750 101.88
	11409	800 106.09
<i>"M veida" 1" (starpcentru attāl. 500 mm ± 15 mm)</i>		
	10365	400 85.38
	10372	450 91.56
	10341	500 97.79
	10396	550 104.01
	10402	600 110.19
	10419	650 116.46
	10389	700 122.61
	10426	750 128.84
	10433	800 135.04
<i>"M veida" 1" (starpcentru attāl. 600 mm ± 15 mm)</i>		
	13717*	500 117.36
	13724*	550 124.81
	13731*	600 132.26
	13748*	650 139.74
	13755*	700 147.12
	13762*	750 154.59
	13779*	800 162.02
<i>"M veida" 1" (starpcentru attāl. 600 mm ± 15 mm) Iekšējā vītne 1/2"</i>		
	12055*	700 122.10


















* - ražošanas laiks 1-2 dienas

Čūskveida dvieļu žāvētāji

	VEIKALS	EUR
	"M veida" ar plauktiņu 1" (starpcentru attāl. 600 mm ± 15 mm)	
	13601	500 126.94
	12215	600 142.81
	12246	700 158.71
	12253	800 174.63
	"M veida" 11/4" (starpcentru attāl. 550 mm ± 15 mm)	
	11430*	400 133.68
	11447*	450 142.88
	11546*	500 152.25
	11454*	550 161.60
	11560*	600 171.00
	11461*	650 185.92
	11584*	700 189.62
	11478*	750 198.99
	11607*	800 208.32
	11485*	850 220.75
	"3 Vīļņu" 3/4" (starpcentru attāl. 580 mm ± 15 mm)	
	11126	400 97.11
	11133	450 102.46
	11140	500 107.76
	11157	550 117.11
	11164	600 120.53
	11171	650 125.83
	11188	700 131.15
	"3 Vīļņu" 1/2" (starpcentru attāl. 600 mm ± 15 mm)	
	18408*	500 99.61
	17685*	600 105.07
	18415*	700 110.51
	"3 Vīļņu" 1" (starpcentru attāl. 850 mm ± 15 mm)	
	10549	500 134.92
	10556	550 143.55
	10563	600 152.07
	10570	650 160.72
	10587	700 169.19
	"3 Vīļņu" 1/2" (starpcentru attāl. 850 mm ± 15 mm)	
	18422	500 107.27
	18439*	600 111.71
	"Taurenis" 3/4" (starpcentru attāl. 250 mm ± 15 mm)	
	13830*	500 105.24
	13847*	550 110.81
	13854*	600 116.37
	13861*	650 121.94
	13878*	700 127.45
	13885*	750 132.98
	13892*	800 138.51
	"Taurenis" 1" (starpcentru attāl. 250 mm ± 15 mm)	
	10723	600 125.55
	10730	650 132.35
	10747	700 139.07
	10754	750 145.84
	10761	800 152.56



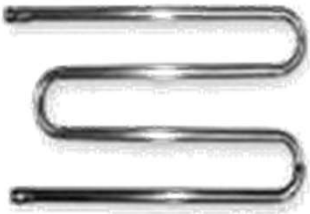
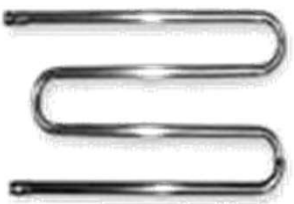
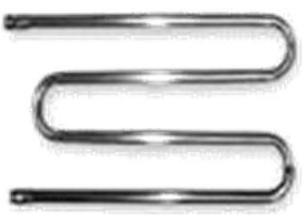
	VEIKALS	EUR
	"Step" 1" (starpcentru attāl. 500mm ± 15 mm)	
	19351*	500 x 500 179.91
	19368*	500 x 600 183.79
	19375*	500 x 700 192.05
	19382*	500 x 800 195.36
	"Step" 1" (starpcentru attālums 600mm ± 15 mm)	
	19399*	600 x 500 188.86
	19405*	600 x 600 192.96
	19412*	600 x 700 201.66
	19429*	600 x 800 205.13
	"Džaz" 1" (starpcentru attāl. 500mm ± 15 mm)	
	18941	500 x 500 138.74
	18965	500 x 600 146.08
	18958	500 x 700 156.28
	18972	500 x 800 165.37
	"Džaz" 1" (starpcentru attāl. 600mm ± 15 mm)	
	19474	600 x 500 169.42
	19481	600 x 600 177.36
	19498	600 x 700 186.45
	19504	600 x 800 196.75
	"Džaz" 11/4" (starpcentru attāl. 500mm ± 15 mm)	
	19238*	500 x 500 189.97
	19245*	500 x 600 193.60
	19252*	500 x 700 209.64
	19269*	500 x 800 223.73
	"Džaz" 11/4" (starpcentru attālums 600mm ± 15 mm)	
	19511*	600 x 500 194.02
	19528*	600 x 600 205.15
	19535*	600 x 700 217.51
	19542*	600 x 800 230.90
	"Fokstrots" 1" (starpcentru attāl. 500mm ± 15 mm)	
	11874	500 x 500 139.34
	18866	500 x 600 162.60
	"Fokstrots" 1" (starpcentru attāl. 600mm ± 15 mm)	
	14950*	600 x 500 167.27
	16862*	600 x 600 178.40
	Regulējams stiprinājums M8 ar gredzenu	
	11683	D 20 3/4" 13.56
	11690	D 25 1" 14.25
	11706	D 32 11/4" 14.97
	Neregulējams stiprinājums M8 ar gredzenu	
	12000	D 20 3/4" 12.52
	12017	D 25 1" 13.17
	12024	D 32 11/4" 13.68
	Noņemams, regulējams stiprinājums	
	18910	D 20 3/4" 18.21
	18927	D 25 1" 18.97
	18934	D 32 11/4" 26.22
	Amerikanka	
	12864	D 20 3/4" 12.08
	12871	D 25 1" 15.48
	12888	D 32 11/4" 22.29

Pulēti nerūsējošā tērauda dvieļu žāvētāji

		VEIKALS	EUR			VEIKALS	EUR
	VIKTORIJA	<i>Dvieļu žāvētājs bez plauktiņa</i>		14974	500*600 (5)		168.87
		14561	500*700 (6)		195.15		
		14967	500*900 (7)		217.85		
		14554	500*1000 (8)		240.25		
	VIKTORIJA +	<i>Dvieļu žāvētājs ar plauktiņu starp ribām</i>		14905	500*600 (6)		215.93
		14578	500*700 (7)		242.13		
		19672	500*900 (8)		247.91		
		14585	500*1000 (9)		259.43		
	SONĀTE	<i>Dvieļu žāvētājs bez plauktiņa</i>		14981	500*600 (5)		177.66
		14615	500*700 (6)		200.98		
		14998	500*900 (7)		224.56		
		14622	500*1000 (8)		247.91		
	SONĀTE +	<i>Dvieļu žāvētājs ar plauktiņu starp ribām</i>		14912	500*600 (6)		220.77
		14608	500*700 (7)		244.72		
		10198	500*900 (8)		258.11		
		14592	500*1000 (9)		267.16		
	SONĀTE 2+	<i>Dvieļu žāvētājs ar 2 plauktiņiem ribu vietā</i>		14929	500*900 (9)		263.39
	SONĀTE 3+	<i>Dvieļu žāvētājs ar 3 plauktiņiem ribu vietā</i>		15001	500*900 (9)		270.45
	KAIJA	<i>Dvieļu žāvētājs</i>		15025	500*600 (5)		313.19
		15018	500*900 (7)		270.98		
	TANGO	<i>Dvieļu žāvētājs</i>		18026	500*1000 (3)		251.57
	ALLEGRO	<i>Dvieļu žāvētājs</i>		18460			277.76
			160*700*500 (7)				
	TRIO	<i>Dvieļu žāvētājs</i>		18477	400*700*600 (7)		268.62
	AKKORD	<i>Dvieļu žāvētājs (pulēts)</i>		18484	160*700*650 (7)		277.76
		18507	160*900*650 (9)		326.17		
		18521	160*900*650 (9)		381.26		
		160*1200*650 (11)					
	AKKORD	<i>Dvieļu žāvētājs (matēts)</i>		18491	160*700*650 (7)		313.97
		18514	160*900*650 (9)		376.47		
		18538	160*900*650 (9)		443.37		
		160*1200*650 (11)					
	GAMMA	<i>Dvieļu žāvētājs (pulēts)</i>		18545	160*700*500 (7)		268.43
		18569	160*900*500 (9)		316.86		
		18583	160*900*500 (9)		371.94		
		160*1200*500 (11)					
	GAMMA	<i>Dvieļu žāvētājs (matēts)</i>		18552	160*700*500 (7)		307.15
		18576	160*900*500 (9)		367.19		
		18590	160*900*500 (9)		434.09		
		160*1200*500 (11)					
	"W"	<i>Dvieļu žāvētājs</i>		18897	500*600 (2)		190.60
		18651	500*1000 (3)		250.27		
	"E"	<i>Dvieļu žāvētājs</i>		19320	500*600 (5)		177.20
		18873	500*800 (6)		201.19		
		18880	500*1000 (6)		229.17		
		19559	500*1200 (8)		252.54		
	"R"	<i>Dvieļu žāvētājs</i>		19337	500*600 (5)		169.54
		18804	500*800 (6)		196.10		
		18811	500*1000 (6)		220.68		








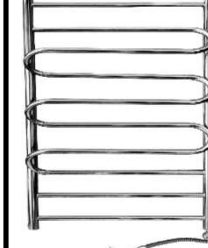
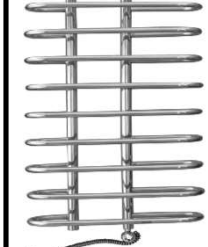
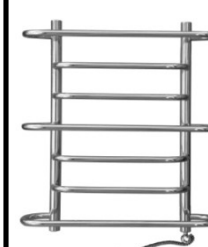
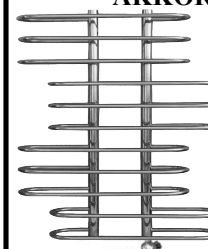
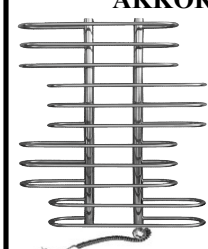
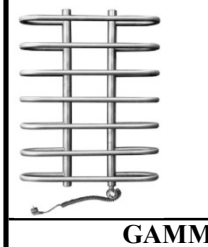

Dvieļu žāvētāji no cinkotās caurules

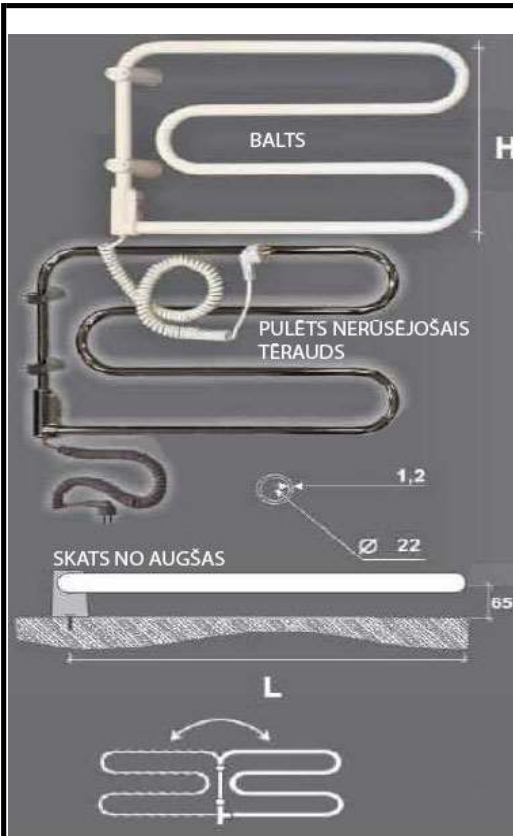
VEIKALS EUR

<i>"U veida" 1" (starpcentru attāl. 250 mm ± 15 mm)</i>			
	500	33.41	3660206
	600	37.72	3660128
	700	41.93	3660075
	800	46.21	3660207
<i>"U veida" 1 1/4" (starpcentru attāl. 250 mm ± 15 mm)</i>			
	500	55.97	3660208
	600	63.61	3660209
	700	71.29	3660210
	800	78.93	3660102
<i>"M veida" 3/4" (caurule 25.0x3.2starpcentru attāl. 500 mm ± 15 mm)</i>			
	400	64.23	3660211
	500	68.21	3660212
	600	71.68	3660213
	700	75.02	3660214
	800	78.53	3660215
	900	82.17	3660216
<i>"M veida" 1" (caurule 33.7x3.2starpcentru attāl. 500 mm ± 15 mm)</i>			
	400	60.81	3660283
	500	71.99	3660217
	600	83.49	3660218
	700	95.26	3660124
	800	106.76	3660205
<i>"M veida" 1.1/4" (caurule 42.4x3.2, starpcentru attāl. 550 mm ± 15 mm)</i>			
	500	74.35	3660219
	600	85.08	3660220
	700	90.40	3660221
	800	95.82	3660222

Cinkotie dvieļu žāvētāji ir ekonomiskās klases dvieļu žāvētāji, viņus pārsvarā izmanto objektos, kuros renovē vecos stāvvadus. Cinkotus ieteicams likt uz problēmatiskiem stāvvadiem, kur ir elektrokorozijas pazīmes, vai slikts ūdens, kā Jūrmalā. Varam piedāvāt arī krāsotus modeļus pēc RAL krāsu kataloga. Cena sadārdzinās par 30.00 eur. Krāsoti tiek ar pulverkrāsošanu. Cinkoti dvieļu žāvētāji ir ļoti izturīgi pret elektrokoroziju vai agresīvu ūdeni. Izmēri iespējami arī individuāli.

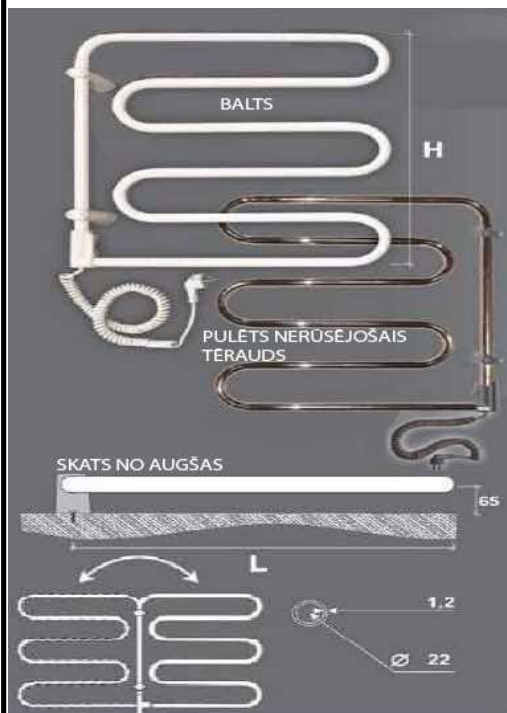
Elektriskie nerūsējošā tērauda dvieļu žāvētāji

		VEIKALS		EUR			VEIKALS		EUR	
	VIKTORIJA	<i>Dvieļu žāvētājs bez plauktiņa</i>								
	19016	200 W	500*600 (5)	246.01						
	19009	200 W	500*700 (6)	273.59						
	18989	200 W	500*900 (7)	299.14						
	18996	300 W	500*1000 (8)	310.92						
	VIKTORIJA +	<i>Dvieļu žāvētājs ar plauktiņu starp ribām</i>								
	*19023	200 W	500*600 (6)	286.39						
	*19030	200 W	500*700 (7)	301.29						
	19047	300 W	500*900 (8)	306.91						
	19054	300 W	500*1000 (9)	316.22						
* Žāvētājiem ar augstumu 600 un 700 mm, nav attēlā redzamās atstarpes										
	SONĀTE	<i>Dvieļu žāvētājs bez plauktiņa</i>								
	19092	200 W	500*600 (5)	253.02						
	19085	200 W	500*700 (6)	277.60						
	19078	300 W	500*900 (7)	306.20						
	19061	300 W	500*1000 (8)	315.99						
	SONĀTE +	<i>Dvieļu žāvētājs ar plauktiņu starp ribām</i>								
	19108	200 W	500*600 (6)	294.58						
	19115	200 W	500*700 (7)	308.03						
	19122	300 W	500*900 (8)	314.87						
	19139	300 W	500*1000 (9)	321.59						
	SONĀTE 2+	<i>Dvieļu žāvētājs ar 2 plauktiņiem ribu vietā</i>								
	19146	300 W	500*900 (9)	320.57						
	SONĀTE 3+	<i>Dvieļu žāvētājs ar 3 plauktiņiem ribu vietā</i>								
	19153	300 W	500*900 (9)	330.96						
	KAIJA	<i>Dvieļu žāvētājs</i>								
	19177	200 W	500*600 (5)	298.89						
	19160	200 W	500*900 (7)	355.07						
	TANGO	<i>Dvieļu žāvētājs</i>								
	19184	300 W	500*1000 (3)	336.23						
	ALLEGRO	<i>Dvieļu žāvētājs</i>								
	19191	200 W	160*700*500 (7)	348.68						
	TRIO	<i>Dvieļu žāvētājs</i>								
	19207	200 W	400*700*600 (7)	350.88						
	AKKORD	<i>Dvieļu žāvētājs (pulēts)</i>								
	19214	200 W	160*700*650 (7)	363.49						
	19221	300 W	160*900*650 (9)	416.20						
	17616	300 W	160*1200*650 (11)	474.28						
	AKKORD	<i>Dvieļu žāvētājs (matēts)</i>								
	17623	200 W	160*700*650 (7)	401.65						
	17630	300 W	160*900*650 (9)	469.23						
	17647	300 W	160*1200*650 (11)	539.67						
	GAMMA	<i>Dvieļu žāvētājs (pulēts)</i>								
	17654	200 W	160*700*500 (7)	539.67						
	17661	300 W	160*900*500 (9)	406.20						
	17678	300 W	160*1200*500 (11)	464.44						
	GAMMA	<i>Dvieļu žāvētājs (matēts)</i>								
	17692	200 W	160*700*500 (7)	395.86						
	17708	300 W	160*900*500 (9)	459.33						
	17722	300 W	160*1200*500 (11)	530.07						



DIVU VIĻŅU (STARP ASĪM H=340)

KLĀJUMS	BALTS (RAL 9010)	PULĒTS
PLATUMS	540	540
SVARS KG	1.86	1.98
JAUDA, W	45	45
CAURULES DIAMETRS	22 mm	22 mm
STIPRINĀJUMI	3	3
KODS	2160004	2160002
PIEGĀDĀTĀJA KODS	5890	5900
CENA EUR AR PVN	92.30	127.10



TRĪS VIĻŅU (STARP ASĪM H=560)

KLĀJUMS	BALTS (RAL 9010)	PULĒTS
PLATUMS	520	520
SVARS KG	2.60	3.20
JAUDA, W	70	70
CAURULES DIAMETRS	22 mm	22 mm
STIPRINĀJUMI	3	3
KODS	2160005	2160003
PIEGĀDĀTĀJA KODS	5891	5902
CENA EUR AR PVN	117.74	174.41

ČETRU VIĻŅU (STARP ASĪM H=780)

KLĀJUMS	BALTS (RAL 9010)	PULĒTS
PLATUMS	520	520
SVARS KG	3.47	3.47
JAUDA, W	100	100
CAURULES DIAMETRS	22 mm	22 mm
STIPRINĀJUMI	3	3
KODS	2160006	2160007
PIEGĀDĀTĀJA KODS	5893	5903
CENA EUR AR PVN	163.59	249.77

Elektriskie dviēļu žāvētāji, baltie: Izgatavoti no nerūsējošā tērauda caurules ar eiropas standartu - EN 10305-3. Caurules diametrs 22 mm, sienīņas biezums 1.2 mm. Lai izstrādājuma virsmu aizsargātu no virsmas korozijas, mehāniskiem bojājumiem un ķīmiskas iedarbības tērauda cauruļu virsma tiek slīpēta, attaukota un krāsota ar krāsu EPOXPOL.TRIBO BT-55 Gloss 10/180°. Krāsa balta - RAL 9010.

Nerūsējošā tērauda elektriskie dviēļu žāvētāji: Izgatavoti no nerūsējošā tērauda caurules ar eiropas standartu - EN 10204. Caurules diametrs 22 mm, sienīņas biezums 1.5 mm.

Dviēļu žāvētāja iekšpusē ir pilnībā drošs sildkabelis. Dviēļu žāvētāja maksimālā uzsilšanas temperatūra ir +60°C, līdz ar to tas ir pilnībā drošs pret pieskārieniem.

Nosaukums	Tilpums L	Art.	Jauda W	Izmēri augst.x plat.x d. mm	Sasildīš. laiks līdz 65°C (Δ50°C)	VEIKALS
-----------	--------------	------	------------	-----------------------------------	--------------------------------------	---------

EXPERT - Sērija

5 gadu garantija tvertnei, 2 gadu garantija elektronikai

Ārējais termometrs, cirkonija pārklājums, nerūsējoša izolējoša caurule, magnija anods, augstsprieguma sildelements, ūdens padeves difuzors, "PRO" sistēma, lielblīvuma poliuretāna izolācija 0% CFC, ārējais termoregulators, dielektrisks savienotājs, termostats

Virs izlietnes	10	3000	1600	456 x 255 x 262	24min.	118.69
	15	3001	2000	399 x 338 x 345	35min.	133.10
Zem izlietnes	10	3012	1600	456 x 255 x 262	19min.	120.88
	15	3013	2000	399 x 338 x 345	23min.	133.10
Vertikālie	30	3002	2000	623 x 338 x 345	57 min	144.23
	50	3003	2000	585 x 433 x 451	1st.18 min	169.79
	50	30020	1500	Clacic O'Pro		167.79
	80	3004	2000	814 x 433 x 451	2st.20 min	198.82
	100	3005	2000	973 x 433 x 451	2st.48 min	214.46
	150	3008	1650	505 x 520 x 1241	4st.36 min	321.25
	200	3009	2000	505 x 520 x 1568	5st.50 min	430.15
Horizontāls	80	3006	1500	580 x 809 x 451	2st.38 min	198.31
	100	3007	1500	580 x 968 x 451	3st.36 min	218.43
Grīdas, vertikālais	300	3010	3000	570 x 640 x 1765	5st.33 min	827.61
	500	3011	6000	750 x 850 x 1840	4st.41 min	2058.17

Sērija STEATITE PRO

5 gadu garantija tvertnei, 2 gadu garantija elektronikai

Ārējais termometrs, cirkonija pārklājums, nerūsējoša izejošā caurule, magnija anods, "steatite" keramiskais (sausais) sildelements, ūdens padeves difuzors, emaljēta bāka, lielblīvuma poliuretāna izolācija 0% CFC, ārējais termoregulators, dielektrisks savienotājs, termostats

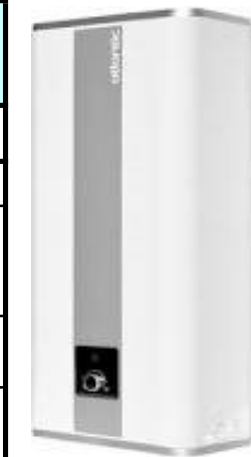
Vertikālie	50	3020	2100	613 x 433 x 451	1st.22 min	244.16
	80	3021	2100	860 x 433 x 451	2st.12 min	272.30
	100	3022	2100	1022 x 433 x 451	2st.48 min	288.98
	150	3023	1800	505 x 1241	4st.36 min	421.20
	200	3024	2400	505 x 1568	5st.50 min	489.05
Horizontāls	150	3014	2200	1185 x 530	4st.20 min	500.00
	200	3015	2200	1490 x 530	5st.40 min	531.85
Vertikālie grīdas 230/380 V	200	3025	2400	1258 x 575	4st.45 min	1045.65
	300	3026	3000	1761 x 575	5st.46 min	1094.43



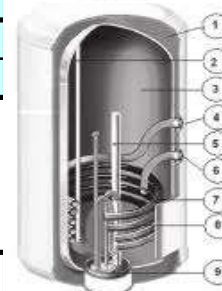
- ❶ Izaugsmes termometrs
- ❷ Oļveidīgu krāpju zona
- ❸ Pārsluobiem lodveidīgu krāpju keramikānklājuma slānis
- ❹ Magnija anods
- ❺ Sausais inductīvais sildelements
- ❻ Krosieris- difuzors
- ❼ Inerģializācijas caurule
- ❽ Inerģializācijas caurule (0% CFC (tetrafluoretilēns))
- ❾ Izaugsmes (ruktu) uzraudzība
- ❿ Dielektriskais savienotājs
- ⓫ Termostats



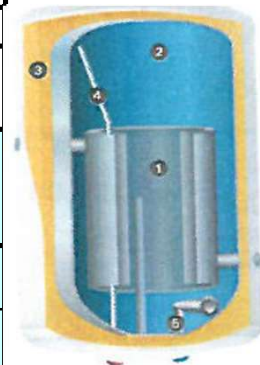
Nosaukums	Tilpums L	Art.	Jauda W	Izmēri augst.x plat.x d. mm	Sasildīš. laiks līdz 60°C (Δ50°C)	Sasildīš. laiks ar "BOAST"	VEIKALS
Sērija VERTIGO							
5 gadu garantija tvertnei, 2 gadu garantija elektronikai							
<i>Cirkonija pārklājums tvertnei, nerūsējoša izejošā caurule, "Steatite" keramiskais (sausais) sildelements ar magnija anodu, ūdens padeves difuzors, digitālais displejs, lielblīvuma poliuretāna izolācija 0% CFC</i>							
<i>SMART CONTROL - ieraksta patērētāju ieradumus vienas nedēļas laikā sekojot temperatūrai. Panākot pienācīgu, līdzsvarotu enerģijas taupīšanu.</i>							
<i>SMART CONTROL - ieslēgšanas indikators, ātrā uzsildīšana, "SMART" dušas displejs, manuālais režīms, pretsasalšanas režīms (7°C), manuālā temperatūras regulēšana, "SMART" režīms, režīmu regulators</i>							
Vertikāls / horizontāls	25	3084	1500 + 750	610 x 490 x 290	46 min	30 min	343.02
	40	3081	1500 + 750	765 x 490 x 290	49 min	30 min	392.04
	65	3082	1500 + 750	1090 x 490 x 290	1 st. 19 min.	30 min	532.32
	80	3083	1500 + 750	1300 x 490 x 290	1 st. 38 min.	30 min	557.14



Kombinētie COMBI OPro							
5 gadu garantija tvertnei, 2 gadu garantija elektronikai							
<i>Ārējais termometrs, cirkonija pārklājums, nerūsējoša izejošā caurule, magnija anods, sildelements, ūdens padeves difuzors, O'PRO - pasīvā korpusa aizsardzība, lielblīvuma poliuretāna izolācija 0% CFC, ārējais termoregulators, dielektriskais savienotājs, termostats</i>							
Nosaukums	Tilpums L	Art.	Jauda W	Izmēri mm	Siltummaiņa jauda kW	Ražīgums l/st ***	VEIKALS
Kombinētais	80	3030	1500	451 x 860	12 - 17.5	431	267.85
	100	3031	1500	451 x 1022	12 - 17.5	431	289.61























DUOTHERM							
5 gadu garantija tvertnei, 2 gadu garantija elektronikai							
<i>Koniska siltummaiņa, cirkonija pārklājums, lielblīvuma poliuretāna izolācija 0% CFC (6 cm), nerūsējoša izejošā caurule, ūdens padeves difuzors</i>							
Nosaukums	Tilpums L	Art.	Jauda W	Izmēri mm	Siltummaiņa jauda kW	Ražīgums l/st ***	VEIKALS
Universāls bez elektriska sildelementa	100	3032		567 x 747	11.9 - 18.0	290-444	425.33
	150	3033	2200	567 x 1002	17.5 - 26.0	426-642	694.17
	200	3034	2200	567 x 1257	19.2 - 29.0	468-708	735.82



*** Parametri: 90/10/45°C (siltumnesēja temperatūra/temperatūra pie izejas/ temperatūra pie ieejas), siltummaiņa ražīgums - 2.0 m3/st


















REZERVES DAĻAS BOILERIEM









	VEIKALS	EUR		VEIKALS	EUR	
3200 00	21.3x110	8.30	Magnija anods M5 SC/PRO 10-15-30	3209 00	25.5 x 230 12.56	Magnija anods M6 SG/TI/ PRO R/ 50-80-100
						
3201 00	21.3x660	25.12	Magnija anods M8 SG/ 150	3215 00	1200W	Sildelements SG 100-100-120HT
						
3202 00	21.3x1000	37.71	Magnija anods M8 SG/ 200	3217 00	2.5 kW	Sildelements SG200
						
3203 00	21.3x550	21.37	Magnija anods M8 BDR 100-150	3220 00	1.5 kW ar flanci	Sildelements SG/PRO R/ 10-15-30
						
3204 00	16 x 210	11.01	Magnija anods M4 SG/PRO/TI 30	3221 00	1800W	Sildelements PRO R/ PRO ECO 50-80-100
						
3205 00	21.3 x 350	19.54	Magnija anods M8 TI	3222 00	1800W	Sildelements PRO R/ PRO ECO 50-80-100H
						
3206 00	13.8 x 150	4.46	Magnija anods M4 SG/PRO/ 10-15	3223 00	1500W	Sildelements SG 80-100
						
3208 00	25.5 x 230	12.56	Magnija anods M5 SG/TI/ PRO R/ 50-80-100	3224 00	1.0 kW ar flanci	Sildelements VLS 50-80-100
						
3275 00	21x290 (21x110)	8.12	Magnija anods M6, ar kātu SG/TI/ PRO R/PRO ECO 50-80-100	3225 00	1.5 kW ar flanci	Sildelements VLS 50-80-100
						
				3226 00	2.2 kW ar flanci	Sildelements SG/TI 150
						
				3227 00	2.5 kW ar flanci	Sildelements SG/TI 200
						

	VEIKALS	EUR		VEIKALS	EUR	
3233 00	1200W	21.36	<i>Sildelements</i> SG 50-80	3251 00	18.93	<i>Termoregulators</i> SG/PRO R 80-100/80H-100H
						
3234 00	1500W	21.36	<i>Sildelements</i> SG 100	3252 00	18.84	<i>Termoregulators</i> SG/PRO R/BDRM 80-100-120
						
3235 00	1200W	28.47	<i>Sildelements</i> SG 80H	3253 00	46.48	<i>Termoregulators</i> SG 10-15
						
3236 00	2000W	23.86	<i>Sildelements</i> SG 120/ TI 120L	3254 00	23.88	<i>Termoregulators</i> BDR 150-200
						
3238 00	2000W	25.12	<i>Sildelements</i> SG 80-100TDX	3255 00	20.11	<i>Termoregulators</i> SG 30
						
3244 00		61.57	<i>Elektronisks termostats</i> PRO ECO 50-80-100	3256 00	44.87	<i>Termoregulators</i> SG/TI 120-200
						
3245 00		64.08	<i>Elektronisks termostats</i> PRO ECO 50-80-100H	3258 00	23.88	<i>Termoregulators</i> SG/TI 120
						
3246 00			<i>Termostats</i> TI SHAPE 50-80-100			
						
3250 00		18.95	<i>Termoregulators</i> SG/BDRM 50-80-100			
						



REZERVES DAĻAS BOILERIEM

	VEIKALS	EUR	
	3260 00	23.86	Termoregulators 3768156 TI SHAPE 50-80-100
	3261 00	5.01	Blīve flancim 3768157 BDR/TI 50-100
	3262 00	5.14	Blīve flancim 3768158 SG/PRO R/TI 150-200
	3263 00	3.77	Blīve flancim 3768159 SG/PRO 10-15-30
	3264 00	12.76	Flancis ar blīvi 3768160 SG/PRO R/TI 50-80-100
	3265 00	7.53	Blīve flancim 3768161 VLS 50-80-100
	3274 00	5.62	Blīve flancim 3768162 PRO R, BLU R PRO ECO (no2013.gada)
	3299 00 0	1.40	Blīve sildelementam ar vītņi 3766001 1800
	3303 00	1.40	Blīve sildelementam, DUOTHERM 3766000 VM050-80-100/DUOTHERM/PC10-15-30 (40146)
	3266 00	33.93	Vadības bloks 3768155 VLS 50-80-100
	3267 00	110.58	Vadības bloks 3768156 VLS PREMIUM/PLUS 50-80-100
	3268 00	66.68	Barošanas bloks 3768324 VLS/VLS PREMIUM/PLUS
	3269 00	23.88	Termometrs 3768157
	3270 00	11.93	Termometrs 3768167
	3272 00	9.43	Signāla lampiņa 3768158

	VEIKALS	EUR	
	3273 00	15.08	Signāla lampiņa 3768159
SILDELEMENTI AR VĪTNI 1.1/4"			
	32931 00	22.61	Sildelements (Itālija) 3768175 3000kW
	3294 00	17.58	Sildelements (Itālija) 3768176 1200W
	3295 00	17.58	Sildelements (Itālija) 3768177 1500W
	3296 00	17.58	Sildelements (Itālija) 3768178 2000W
	3297 00	17.58	Sildelements (Itālija) 3768179 1200W
	3298 00	17.58	Sildelements (Itālija) 3768180 1500W
	3299 00	17.58	Sildelements (Itālija) 3768181 2000W

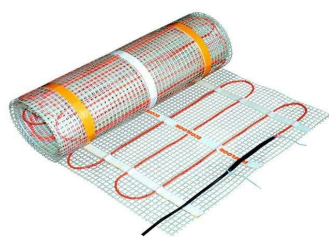


Jauda W	Garums m	80W/m2 papildus	110W/m2 telpas	150W/m2 van. ist.	Ekranizēts divdāzīslu kabelis ADSV+, 20 W/m, ar UV izturīgu apvalku	
160	8.3	2.0	1.5	1.0	35.41	8238015
270	14	3.2	2.4	1.7	48.89	8238016
340	17.2	4.0	2.9	2.1	56.44	8238017
450	22.5	5.2	3.8	2.8	68.26	8238018
540	27.4	6.5	4.7	3.5	74.15	8238019
640	32.1	7.5	5.5	4.0	86.63	8238020
720	35.8	8.5	6.2	4.5	96.80	8238021
870	43.8	10.3	7.5	5.5	110.92	8238022
1070	53.5	12.5	9.1	6.6	120.10	8238023
1290	64.4	15.0	10.9	8.0	136.19	8238024
1580	79	18.7	13.6	10.0	157.19	8238025
1850	92.4	21.2	15.4	11.3	168.14	8238026
2300	117.3	27.5	20.0	14.5	217.18	8238027
2750	141.4	32.5	23.6	17.3	275.24	8238028

Apsildes paklāji LDTS – 160W/m2
solis - 7,6 cm, platums - 50cm
kabelis ADSV(3,6-4,8 mm) divdāzīslu.

Tips	Jauda W	Garums m	lekl.plat. m ²		
12070-165	70	0.9	0.5	34.38	8238029
12130-165	130	1.6	0.8	38.74	8238030
12210-165	210	2.6	1.3	54.33	8238031
12260-165	260	3.2	1.6	65.67	8238032
12340-165	340	4.2	2.1	82.13	8238033
12410-165	410	5.2	2.6	90.22	8238034
12500-165	500	6.1	3.0	107.86	8238035
12560-165	560	6.7	3.4	116.63	8238036
12670-165	670	8.3	4.2	142.88	8238037
12810-165	810	10.2	5.1	162.71	8238038
121000-165	1000	12.3	6.1	203.31	8238039
121210-165	1210	15.1	7.6	242.36	8238040
121400-165	1400	17.6	8.8	245.15	8238041
121800-165	1800	22.0	11.0	295.36	8238042
122150-165	2150	26.6	13.3	371.29	8238043
122600-165	2600	32.5	16.3	481.62	8238044

Termoregulatori	Jauda(W)	Slodze (A)	Sensors		
UFC 004, analogais	3600	16	Grīdas	38.36	8268004
UFC 001, program.	3600	16	Grīd/Telp	64.44	8268005
UFC E91, progr.skarienjūtīgs	3600	16	Grīd/Telp	82.85	8268006
BEOK 70 EP M/B, progr.skarienjūtīgs	3600	16	Grīd/Telp	138.39	8268007
Piederumi	Gar. (m)	Plat.(m2)			
Montāžas lenta GRUFAST 10m	10	4--5		30.43	8266002
Gofr.caurule sensora ievietošanai 16mm/2m	2			2.52	8238045



Paredzēti ūdensvadu apsildei, kā arī sniega un ledus kausēšanai tehnēs un notekās. Pašregulējošie kabeļi lietojami bez termoregulātora.

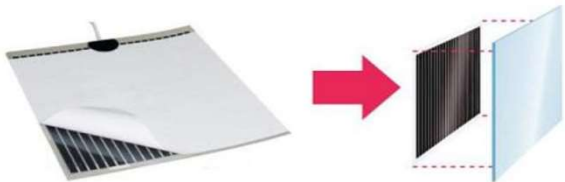
Tips	Nosaukums	Garums m	Jauda W	MAGMA KATALOGS	
FSM/ELSR	Pašregulējošais apsildes kabelis 11W/m, komplekts kontakt dakšu, 2m	2	22	51.75	8238001
FSM/ELSR	Pašregulējošais apsildes kabelis 11W/m, komplekts kontakt dakšu, 3m	3	33	64.82	8238002
FSM/ELSR	Pašregulējošais apsildes kabelis 11W/m, komplekts kontakt dakšu, 4m	4	44	77.84	8238003
FSM/ELSR	Pašregulējošais apsildes kabelis 11W/m, komplekts kontakt dakšu, 5m	5	55	90.25	8238004
FSM/ELSR	Pašregulējošais apsildes kabelis 11W/m, komplekts kontakt dakšu, 6m	6	66	103.94	8238005
FSM/ELSR	Pašregulējošais apsildes kabelis 11W/m, komplekts kontakt dakšu, 7m	7	77	116.98	8238006
FSM/ELSR	Pašregulējošais apsildes kabelis 11W/m, komplekts kontakt dakšu, 8m	8	88	130.03	8238007
FSM/ELSR	Pašregulējošais apsildes kabelis 11W/m, komplekts kontakt dakšu, 9m	9	99	143.08	8238008
FSM/ELSR	Pašregulējošais apsildes kabelis 11W/m, komplekts kontakt dakšu, 10m	10	110	156.12	8238009
FSM/ELSR	Pašregulējošais apsildes kabelis 11W/m, komplekts kontakt dakšu, 11m	11	121	169.16	8238010
FSM/ELSR	Pašregulējošais apsildes kabelis 11W/m, komplekts kontakt dakšu, 12m	12	132	182.21	8238011
FSM/ELSR	Pašregulējošais apsildes kabelis 11W/m, spolē metros	--	--	13.05	8238012
	Auksto galu montāža ar materiāliem, 1,5m + kontaktdakša	--	--	25.66	8238013
19805366	Pārejas blīvējums ar vītņi 3/4" un 1" , kabeļa ievadišanai caurulē DEVI	--	--	31.77	8238014

Spoguļu apsildes elementi ECOFILM

Tips	Izmērs (mm)	Jauda W	Spriegums V	MAGMA	
MHF 12	274X274	12.5	230	15.14	8279011
MHF 25	274X574	25	230	27.52	8279012
MHF 50	524X524	50	230	38.37	8279013
MHF 100	1024X524	100	230	68.67	8279014

Pašlīmējoša apsildes folija, kas novērš spoguļa svīšanu un nodrošina skaidru redzamību telpās ar paaugstinātu mitrumu.

Vienkārša uzstādīšana - pielīmējiet spoguļa aizmugurē un pievienojiet pie strāvas (rekomendējam pie gaismas slēdža, lai ieslēdzoties gaismai tiek ieslēgta folija).



VEIKALS

Izolācijas biezums mm	Čaulas iekšējais diametrs mm	Čaulas garums mm	Gabali iepakojumā	cena par gab
20	15	1 200	35	4.35
20	18	1 200	30	4.31
20	22	1 200	28	4.43
20	28	1 200	30	4.75
20	35	1 200	25	5.42
20	42	1 200	20	6.07
20	48	1 200	18	6.79
20	54	1 200	16	6.60
20	60	1 200	13	7.46
20	70	1 200	10	10.78
20	76	1 200	15	9.36
20	89	1 200	9	11.59

30	15	1 200	25	5.86
30	18	1 200	25	5.47
30	22	1 200	20	5.82
30	28	1 200	18	6.59
30	35	1 200	16	7.22
30	42	1 200	13	8.01
30	48	1 200	12	8.09
30	54	1 200	10	10.37
30	60	1 200	9	9.77
30	64	1 200	9	12.30
30	70	1 200	9	11.44
30	76	1 200	12	12.22
30	89	1 200	8	14.50
30	102	1 200	4	17.18
30	108	1 200	4	16.90
30	114	1 200	4	19.22
30	133	1 200	4	19.43
30	140	1 200	4	22.13
30	168	1 200	3	32.89
30	219	1 200	2	33.49
30	273	1 200	1	63.78

40	15	1 200	16	7.67
40	18	1 200	16	8.76
40	22	1 200	13	9.03
40	28	1 200	12	8.80
40	35	1 200	10	10.06
40	42	1 200	9	11.45
40	48	1 200	9	11.85
40	54	1 200	7	11.87
40	60	1 200	6	15.65
40	64	1 200	6	15.27
40	70	1 200	8	15.25
40	76	1 200	8	15.57
40	89	1 200	4	17.47
40	102	1 200	4	21.66
40	108	1 200	4	22.59
40	114	1 200	4	21.46
40	133	1 200	4	26.47
40	140	1 200	3	26.73
40	159	1 200	3	
40	168	1 200	3	35.94
40	219	1 200	2	41.76
40	273	1 200	1	84.62

50	15	1 200	10	10.94
50	18	1 200	9	10.75

Izolācijas biezums mm	Čaulas iekšējais diametrs mm	Čaulas garums mm	Gabali iepakojumā	cena par gab
50	22	1 200	9	12.22
50	28	1 200	9	11.60
50	35	1 200	7	13.73
50	42	1 200	6	13.72
50	48	1 200	8	15.53
50	54	1 200	8	15.12
50	60	1 200	5	15.26
50	64	1 200	4	20.06
50	70	1 200	4	19.41
50	76	1 200	4	21.62
50	89	1 200	4	21.72
50	102	1 200	4	26.45
50	108	1 200	4	25.24
50	114	1 200	4	27.23
50	133	1 200	3	37.26
50	140	1 200	3	38.79
50	159	1 200	3	
50	168	1 200	2	40.11
50	194	1 200	2	
50	219	1 200	1	50.32
50	273	1 200	1	108.80

60	22	1 200	6	14.85
60	28	1 200	8	16.38
60	35	1 200	8	16.12
60	42	1 200	4	18.87
60	48	1 200	4	18.61
60	54	1 200	4	20.90
60	60	1 200	4	21.30
60	64	1 200	4	22.45
60	70	1 200	4	25.41
60	76	1 200	8	23.90
60	89	1 200	4	26.39
60	102	1 200	3	30.69
60	108	1 200	3	39.84
60	114	1 200	3	38.04
60	133	1 200	3	36.81
60	140	1 200	3	40.44
60	159	1 200	2	
60	168	1 200	2	42.02
60	219	1 200	1	55.21
60	273	1 200	1	60.24

80	76	1 200	3	42.56
80	89	1 200	3	45.02
80	108	1 200	2	45.80
80	114	1 200	2	50.02
80	133	1 200	2	52.30
80	140	1 200	2	53.86
80	159	1 200	1	
80	168	1 200	1	60.95
80	219	1 200	1	74.56
80	273	1 200	1	81.51

100	108	1 200	1	65.11
100	114	1 200	1	64.26
100	133	1 200	1	74.24
100	140	1 200	1	71.07
100	159	1 200	1	
100	168	1 200	1	77.79
100	273	1 200	1	106.00

